

MONORAIL and AMS

Profiled linear guideways and integrated measuring systems

User guidelines

This MONORAIL and AMS product catalogue is intended for general construction use. It is applicable together with the following documents:

- MONORAIL and AMS application catalogue
- MONORAIL and AMS mounting instructions

DIN 637 should always be observed when operating and dimensioning MONORAIL guideways. DIN 637 is always valid even if this document contains statements that are contradictory to DIN 637.

Additional literature


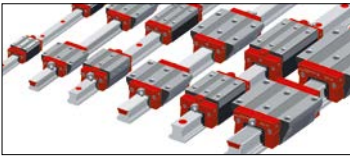

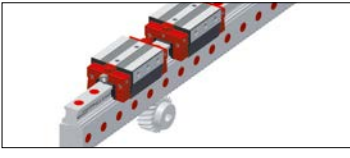

- AMSA-3L mounting instructions/software instructions
- Mounting instructions for the BAC cover strip for MONORAIL BM
- Mounting instructions for the MAC cover strip for MONORAIL MR
- Mounting instructions for MRS/BRS brass plugs for MONORAIL MR/BM
- MONORAIL and AMS mounting instructions
- Mounting instructions for SPL lubrication plate for MONORAIL
- Mounting instructions for the MRZ steel plugs for MONORAIL MR
- Mounting notes for ASM metal wipers
- Mounting notes for MONORAIL MR and BM carriages
- Mounting notes for MONORAIL MR 100 carriages
- Mounting notes for MONORAIL BM2G
- Mounting notes for MONORAIL BZ

The documents are available in printed or digital form in the download area at www.schneeberger.com.

Disclaimer

This publication has been compiled with great care and all information has been checked for accuracy. However, we can assume no liability for incorrect or incomplete information. We reserve the right to make changes to the information and technical data as a result of enhancements to our products. Reprinting or reproducing, even in part, is not permitted without our written consent.



1	Product Overview	3
	1.1 Overview of all MONORAIL products	3
	1.2 Features of the MONORAIL system	5
2	Technical Data	11
	2.1 Guiding	11
	2.2 Guiding and driving	19
	2.3 Guiding and measuring	20
	2.4 Ordering information	32
	2.5 Precautionary measures	34
3	Roller-MONORAIL MR	35
	3.0 Introduction	35
	3.1 Overview of types, sizes and options	38
	3.2 Technical data	40
	3.3 Accessories	54
	3.4 Order code	61
4	Ball-MONORAIL BM	63
	4.0 Introduction	63
	4.1 Overview of types, sizes and options	66
	4.2 Technical data	68
	4.3 Accessories	80
	4.4 Order code	86
5	Stainless steel Ball-MONORAIL BM WR / BM SR	87
	5.0 Introduction	87
	5.1 Overview of types, sizes and options	90
	5.2 Technical data	92
	5.3 Accessories	102
	5.4 Order code	103
6	MONORAIL BZ toothed rack systems	105
	6.0 Introduction	105
	6.1 Overview of types, sizes and options	108
	6.2 Technical data	110
	6.3 Accessories	114
	6.4 Order code	118
7	MONORAIL AMS 3B distance measuring system for MR	119
	7.0 Introduction	119
	7.1 Overview of types, sizes and options	122
	7.2 Technical data	124
	7.3 Accessories	134
	7.4 Order code	135

8 MONORAIL AMS 4B distance measuring system for BM **137**



8.0	Introduction	137
8.1	Overview of types, sizes and options	140
8.2	Technical data	142
8.3	Accessories	154
8.4	Order code	155

9 MONORAIL AMSABS 3B absolute distance measuring system for MR **157**



9.0	Introduction	157
9.1	Overview of types, sizes and options	160
9.2	Technical data	162
9.3	Accessories	172
9.4	Order code	173

10 MONORAIL AMSABS 4B absolute distance measuring system for BM **175**



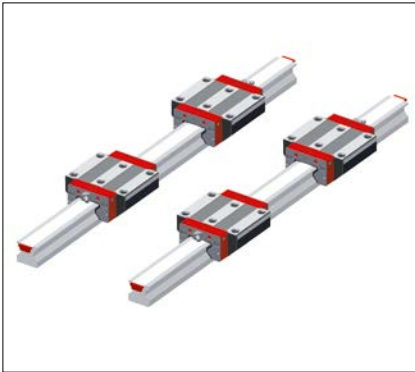
10.0	Introduction	175
10.1	Overview of types, sizes and options	178
10.2	Technical data	180
10.3	Accessories	192
10.4	Order code	193

11 MONORAIL AMSA 3L integrated, modular distance measuring system for long axes **195**



11.0	Introduction	195
11.1	Overview of types, sizes and options	198
11.2	Technical data	200
11.3	Accessories	210
11.4	Order code	212

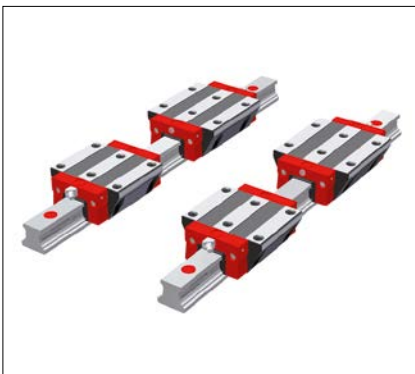
1.1 Overview of all MONORAIL products



MR

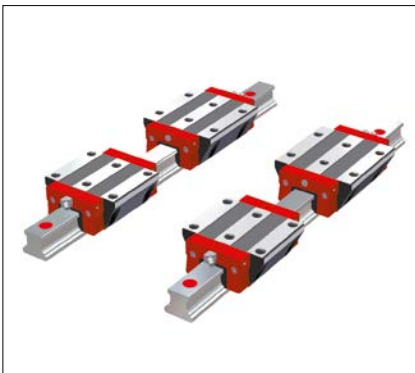
High rigidity, great dynamic and static load carrying capacity, outstanding running smoothness and the total enclosure of the carriage are the main features of the MONORAIL guideway. These properties result in higher machining rates while enhancing geometrical accuracy and surface quality of the machined workpieces. Our highly rigid MONORAIL provides improved vibration behavior, smaller vibration amplitudes and thus extends tool life.

More than two decades of experience in the construction and application of roller-type frictionless guideways, with >11 million carriages successfully deployed in the field, and the latest technologies in product development and serial production: all of this has been incorporated into the latest generation of MR 4S carriages for even greater customer benefit. The MONORAIL MR is a frictionless guideway that is cost-effective for the user and meets the requirements of modern mechanical engineering.



BM

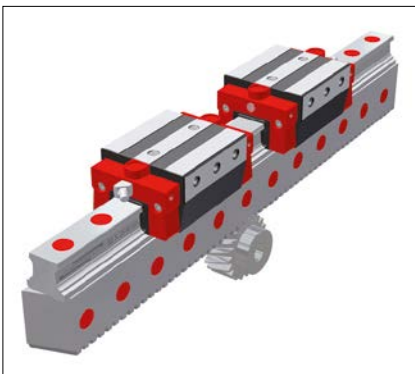
SCHNEEBERGER's MONORAIL BM ball guideway features excellent dynamic properties and many commercial benefits. Designed with a small number of cleverly arranged components, it provides for excellent running properties due to the small number of transitions in the ball tracks, which lead to very quiet running, low pulsation and low friction as well as high travel speeds. The use of a trapezoidal rail section results in an extremely rigid guideway coupled with a substantial reduction in servicing time as additional wipers can be changed without dismantling the carriage. Complete sealing of the carriage guarantees maximum reliability coupled with a long service life. This robust and economical guideway rounds off SCHNEEBERGER's range of products for industrial applications with high demands on speed, reliability and consistent running properties.



BM WR / BM SR

SCHNEEBERGER's MONORAIL BM WR / BM SR systems are linear bearings made from corrosion-resistant steel and based on the MONORAIL BM ball profile guideway. They have been specially developed to meet requirements that are beyond the limits of what conventional coatings on linear bearings can cope with. This is often the case, for example, in processes where corrosion has a negative impact on conveying the products.

The MONORAIL BM WR/ BM SR also features the proven characteristics of the MONORAIL BM, such as excellent running properties, high travelling speed and a long service life.



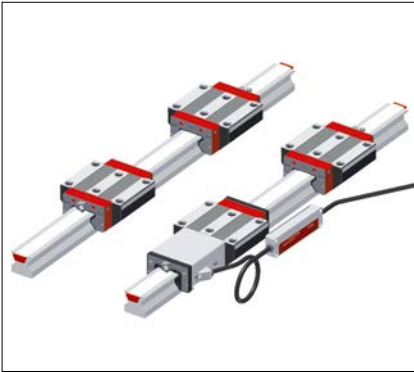
BZ

SCHNEEBERGER's MONORAIL BZ systems are high-precision linear guide systems with integral rack drive, based on the company's proven MONORAIL BM profile guideways with balls. The benefits resulting from the integration of a profile guideway and an extremely precise rack drive mainly come into their own in the handling and automation industries, in laser and water-jet cutting tools as well as in woodworking machines.

Outlay on the production of machine beds, the installation and alignment of the guideway and gearing are substantially reduced. Single piece rail systems are available up to a length of 6 metres.

The design of the MONORAIL BZ provides for superb operating characteristics, high load-bearing capacity and rigidity together with a long service life thanks to the use of the tried-and-tested MONORAIL BM profile guideway and to the high transmittable forces, smooth running and optimum positioning accuracy offered by ground, hardened and precise helical gearing of superlative quality.

1.1 Overview of all MONORAIL products

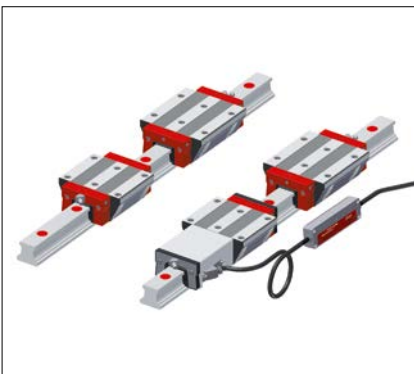


AMS 3B

The MONORAIL AMS 3B is an integrated magneto-resistive measuring system for absolute distance measurement based on the MONORAIL MR roller profile guideway. This results in the provision of a compact axis with linear measurement and guidance specially for machine tool applications. No additional assembly or adjustment of the measuring system is required, which is reflected by cost savings in machine design, manufacture and servicing. The accuracy and process reliability of the machine are also improved. The sturdy housing for the read-head has a complete wiper system consisting of longitudinal and cross wipers, which provide optimum protection for the measuring system.

AMS 3B is available in both analog and digital versions. The AMSA 3B analog version has a voltage interface of 1 Vpp for connection to all standard control systems, and forms the basis for the AMSD 3B digital version. The profile rails are thus identical and are compatible with both versions.

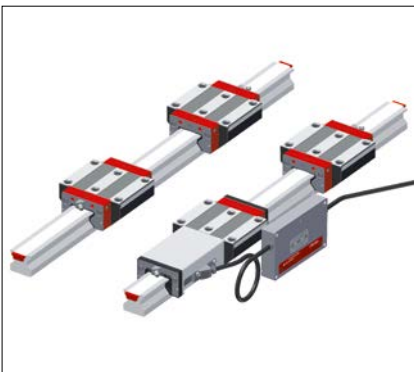
The AMSD 3B version has an incremental, digital interface and a range of reading head options that permit different resolutions and allow the system to be adapted to control systems with different input frequencies.



AMS 4B

The MONORAIL AMS 4B is an integrated magneto-resistive measuring system for distance measurement based on the MONORAIL BM ball profile guideway. In measuring terms, the AMS 4B is the same as the AMS 3B; it offers the same performance in terms of assembly, cost savings, accuracy and process reliability.

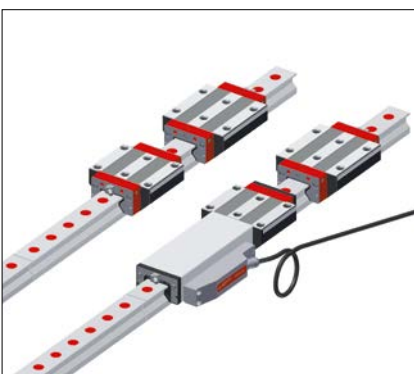
AMS 4B products are preferred for use in applications that make major demands on travelling speed and require good resistance to acceleration and vibration.



AMSABS

The MONORAIL AMSABS is an integrated magneto-resistive measuring system for distance measurement with an absolute interface. The AMSABS 3B is based on the MONORAIL MR roller profile guideway, while the AMSABS 4B is based on the MONORAIL BM ball profile guideway.

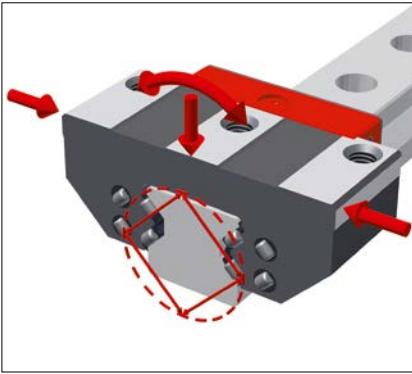
New features have been added to the proven benefits of the AMS products. These simplify the use of distance measuring systems in industrial environments. Because of the absolute nature of the measuring system for distance measurement, there is no longer any need for a reference run after switching on. This saves time, and thus saves costs. In addition, redundancy of information processing increases operational reliability. SCHNEEBERGER provides an absolute interface with various cable lengths to connect it with the SSI, SSI+SinCos, FANUC, Mitsubishi and Siemens Drive CliQ® controllers.



AMSA 3L

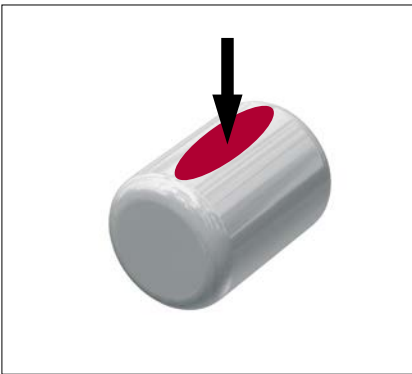
The MONORAIL AMSA 3L is an integrated magneto-resistive measuring system for distance measurement based on the MONORAIL MR roller profile guideway with an analog voltage interface. It is SCHNEEBERGER's newest product, and is designed for use with very long axes. The AMSA 3L is made possible by the very precise construction of the measuring rails, in both mechanical and measuring terms. The special design of the rail joints, combined with the AMSA 3L reading head, means that it is possible to travel across the joints and to make the measuring axes as long as you wish. Other features of the AMSA 3L include fully interchangeable individual rails, carriages and reading heads, and reading heads with integrated electronics. A special production process also ensures that AMSA 3L components are widely available around the world. The AMSA 3L has an analog voltage interface of 1 Vpp for connection to all standard control systems.

1.2 Features of the MONORAIL system



O-geometry

Large internal spacings of the load carrying surfaces are implemented with what is called an O-arrangement of the guideway. In conjunction with roller tracks that are offset by 90°, this achieves a uniform and high absorption of forces from all directions and provides high moment rigidity.



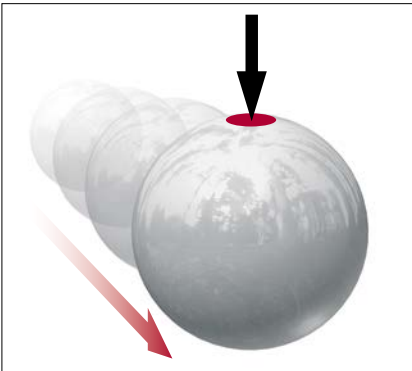
Roller with a convex 'barrel' profile

Linear guideways have a significant influence on the overall rigidity of a machine tool. With roller MONORAIL MR, the demonstrably high degree of rigidity is achieved by using rollers, with a convex profile, as rolling elements and the optimized cross-sections of the carriage and the rail.

Compared with a ball guide, a roller guide has a flat and much larger contact area, which results in a far greater load carrying capacity.

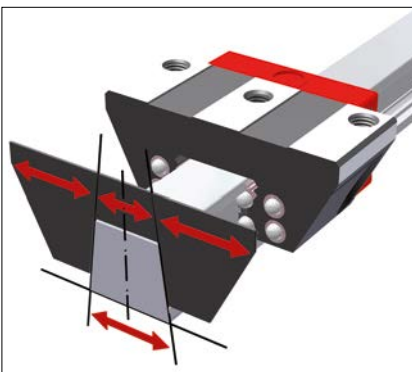
The barrel shape enables the contact surface to adjust to the particular load and provides a smooth transition from the load zone to the unloaded recirculation area.

This results in a significant reduction in wear since it avoids edge loading coupled with minimum roller friction.



Ball with 2-point contact

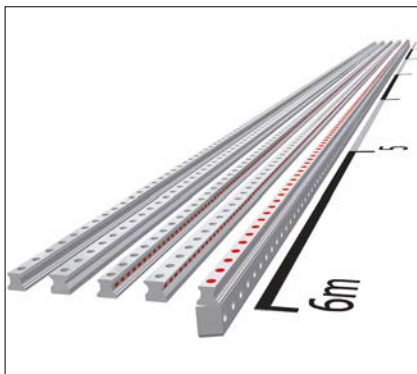
The MONORAIL BM is a modern, 4-row ball guide with O-geometry. Even when pre-loaded and under load, a ball that is in the load zone only contacts the track contour of the rail and the carriage at two diametrically opposed points. Compared to a guide with 4-point contact, the precision fit of the tracks to the ball provides significantly greater load carrying capacity. Friction is minimised as the balls roll more or less without any differential slip, which results in smooth, even running.



Trapezoidal rail profile

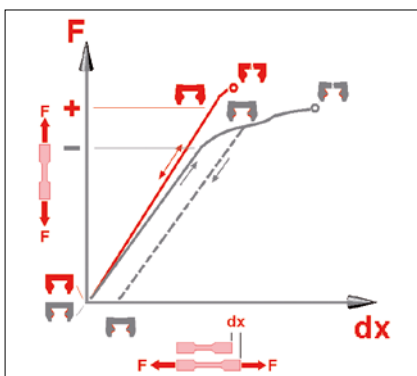
The trapezoidal rail profile meant it was possible to optimize the carriage cross sections and the connection of the base surface of the rail to the sub-structure to achieve the highest possible rigidity. This rail profile enables easy servicing since additional wipers can be replaced directly on the rail without any complicated removal of the carriage.

1.2 Features of the MONORAIL system



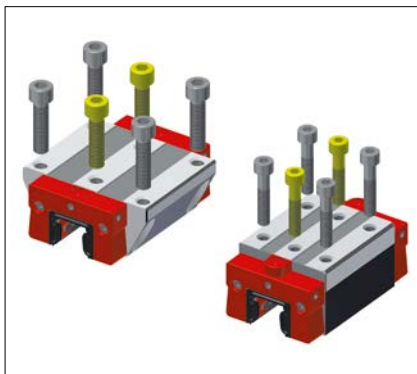
In one piece up to 6 metres long

SCHNEEBERGER offers guiderails for all its products in single piece lengths of up to six metres. As a result, fewer butt joints between rails are required on long guideways. This not only simplifies assembly work, but also offers improved accuracy and extends the service life of the system.



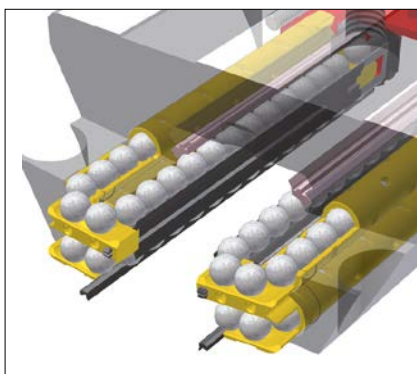
Through-hardened carriages

The steel body of the carriage is a critical element if a machine is to have a long service life with a constant level of precision. In order to satisfy these high demands, even under extreme loads and without any plastic deformation of the carriage throughout its entire period of use, SCHNEEBERGER uses high-grade bearing steels in which not just the running surfaces, but the complete carriage body are hardened. Even when subjected to loads exceeding their recommended levels, MONORAIL carriages maintain their specification as no plastic deformation can occur.



6 attachment holes per carriage

When a carriage is subjected to tensile forces, the rigidity achieved is largely dependent on the way that it is connected to its surrounding structure. In order to achieve the maximum degree of rigidity, all SCHNEEBERGER carriages have six threaded fixing holes in the top of the carriage.



Unique running characteristics

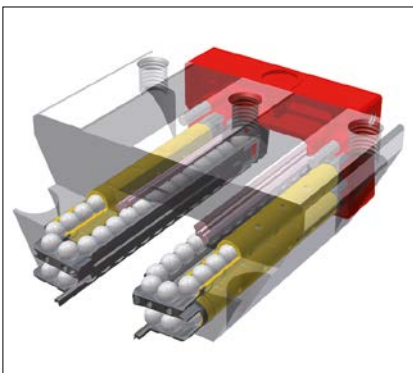
Particular attention was focused on the run-in area of the rollers from the unloaded to the loaded zone. This area was geometrically balanced to provide very smooth operation, i.e. minimum travel pulsation, pitch movement and noise for both low and high speed motion.

1.2 Features of the MONORAIL system



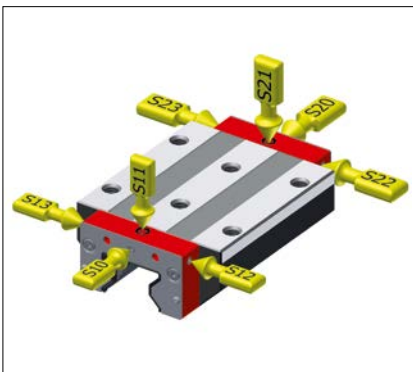
Complete sealing

MONORAIL carriages are equipped as standard with twin-lipped cross wipers on the ends and top and bottom longitudinal wipers. Together with additional sealing of the gaps between the front plate and the steel body, these provide an exceptionally efficient sealing system. The ingress of dirt is therefore effectively prevented and lubrication losses are reduced to a minimum, which results in a significant increase in service life. Correct function of the wipers is improved even further by the smooth, ground surface of all sides of the rail. SCHNEEBERGER also offers various solutions to close the rail fixing holes perfectly flush.



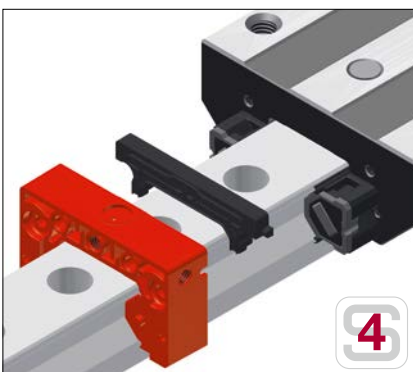
Rolling element recirculation parts made of synthetic material

The return passage of the rolling elements has a substantial influence on the running properties of the carriage. For this reason, all SCHNEEBERGER products are fitted with synthetic recirculation parts. Apart from the reduction in noise, the synthetic components have been designed to form an additional reservoir of lubricant. The additional lubricant can substantially extend the service life of the carriage.



Versatile lubrication connection

Carriages have a range of lubrication connections (on both sides on the front face, at the sides and on top) that can be prepared for connection to a lubrication supply in line with customers' specifications. This allows the connection of the lubrication supply to be connected in the best way to suit the type of lubrication and the specific installation involved. Where oil lubrication for special installation positions is required, both sides of the carriage can also be independently supplied with lubricant.



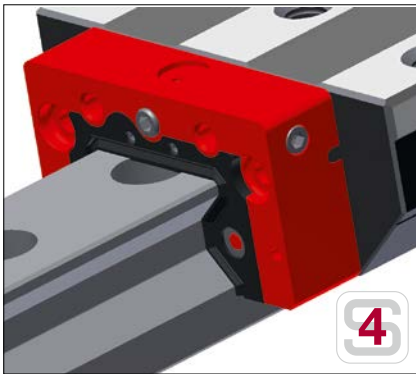
Visible configuration of the lubricant distribution

The visible configuration rules out any possibility of confusion.

In **standard lubricant distribution** (black pin is visible), all four running surfaces have a lube connection. The lubricant is distributed on all tracks in the front plate and redirection units.

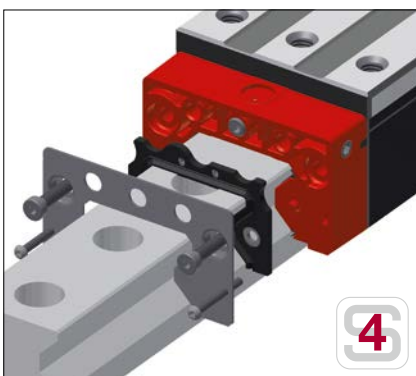
In **separate lubricant distribution** (gray pin is visible), two lube connections are used, which supply the right and left tracks separately.

1.2 Features of the MONORAIL system



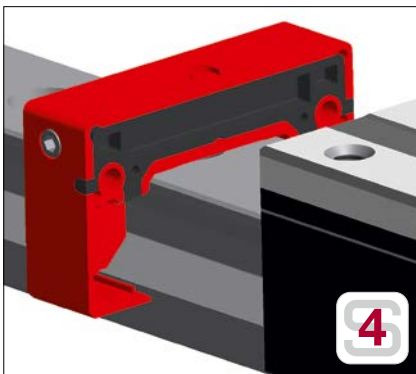
Replaceable wipers

The cross wiper is mounted as a separate element in the front plate housing and can be removed in an axial direction once the front panel has been removed. A hinge in the center of the wiper allows it to be deformed without being destroyed, and removed via the guideway. This ensures that the wiper can be replaced easily and without removing the carriage. A new wiper can be exchanged between two carriages with no any problem.



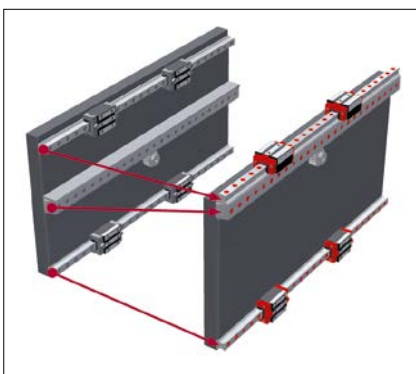
Front panel made of stainless steel

The front panel covers the red front plate and is firmly connected to the body by four screws. The outside of the front plate is therefore protected against environmental influences. The front panel also gives the front plate greater stability and the cross wiper is protected against damage. The front panel ensures precise attachment of accessories, such as additional wipers or lubrication plates.



Pressure-tight lubrication channels

The lubricator is firmly connected to the front plate by ultrasonic welding. As a result, pressure-tight lubrication channels are formed inside the components. The lubricant applied through the lube connection can get to the rolling elements and lubrication reservoirs safely and precisely, even at high pressures. This therefore ensures that the lubricant is sufficiently distributed, even when the carriage is static.

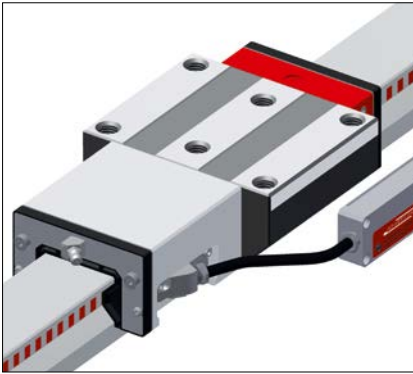


Integral racks

Rack systems offer a high-grade gear rack that is integrated into the guiderail. Single piece rail lengths of 6 metres and the possibility to butt joint rails means very long traverse lengths can be achieved with a high degree of accuracy. Integral construction reduces the amount of manufacturing, assembly and logistics compared with a system with a separate rack, which results in substantial cost savings.

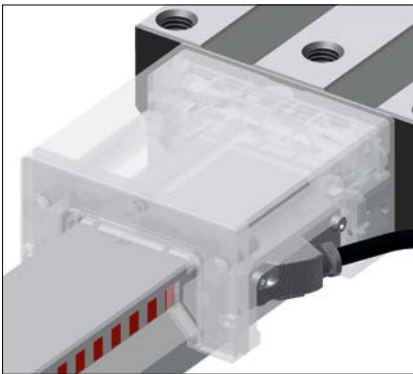
It is now possible to construct a machine axis, that used to require three precision support surfaces with only two. It is no longer necessary to do any time consuming alignment work between the guide system and the rack.

1.2 Features of the MONORAIL system



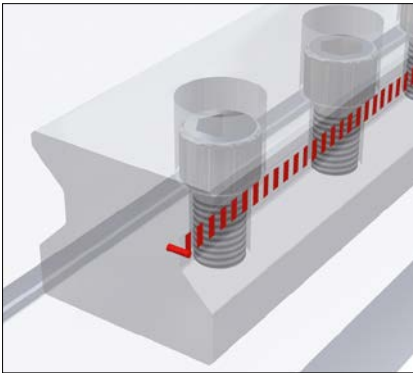
Integrated linear scales

Combining a high-precision linear encoder with a MONORAIL guide rail results in an integrated measuring system that is simple to install without the need for any separate assembly or adjustment work. This provides cost-savings in the design, manufacture and maintenance of equipment. With its integrated systems, SCHNEEBERGER supplies solutions that offer a substantial reduction in complexity when constructing machine axes with direct linear scale systems.



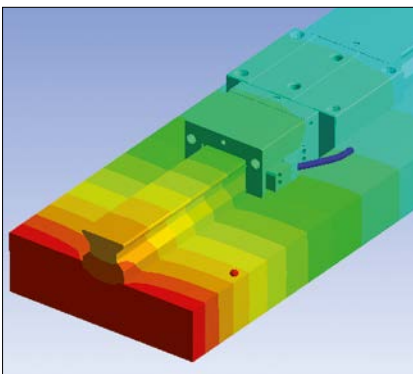
Magneto-resistive measuring principle

The sensor is based on a specially adapted magneto-resistive measuring process. If any relative movement occurs between the sensor and the measuring scale, the change in field strength results in an easily measurable change in electrical resistance. Any interference caused by temperature, superimposed magnetic fields, displacement and ageing is minimised due to the bridge circuit. The sensing head works continuously, which ensures that the function of the sensor is not affected by any particles. The sensing process operates so well that no adjustment work is necessary after service exchange of a measuring head.



Position measurement close to the process

A good thermal connection between the measuring system and the bed of the machine is provided, firstly, by the extensive connection of the guiderail to the integral measuring scale and, secondly, by the rigid attachment of the guiderail to the bed of the machine. The benefit of this is that changes in the temperature of the bed of the machine are transferred directly to the measuring system. The good thermal interconnection between the measuring standard, the guiderail and thus the bed of the machine means that these machines do not require any reference points or temperature sensors to achieve excellent process stability.

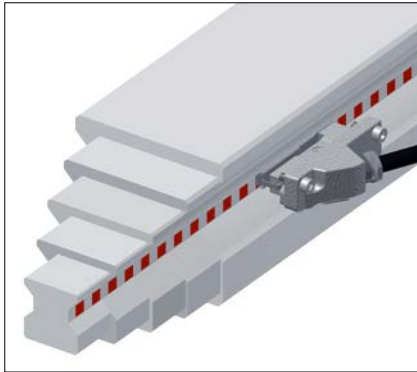


Thermal expansion like steel

The magnetic measuring scale is installed in a groove in the rail section. Use of a specially adapted ferromagnetic material ensures that the longitudinal expansion of the scale, caused by thermal influences, is identical to the expansion of the steel bed of a machine.

The measuring standard is firmly attached at both ends to the guide rail and has exactly the same rate of expansion as the guide rail. No compensation for temperature is therefore required when machining steel parts.

1.2 Features of the MONORAIL system



One reading head for all sizes

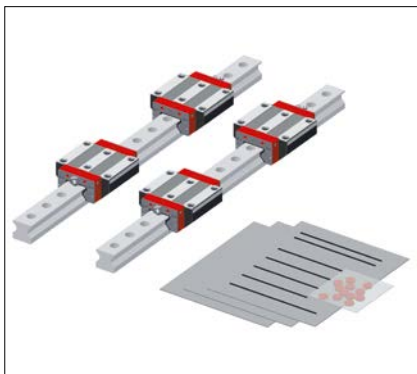
The measuring scale is positioned identically on all rail sizes, meaning a single reading head can be used for all sizes of the product group concerned. The measuring scale is fixed very robustly in the rail and any effect of wear is taken by the reading head slider. All reading heads can be used on all models of rail supplied. These 3 points mean that only a small service stock of reading heads is needed to support a high volume of installations.

The new generation of reading heads offer increased waterproofness to IP68 and are made of rust-resistant materials. The connections between parts are also resistant to chemical substances. This ensures that SCHNEEBERGER AMS products retain their proven characteristics even in areas where they are constantly exposed to water, aggressive cooling lubricants or other emulsions.



Protected measuring scale

Following production, the integral measuring scale is protected from mechanical damage and magnetic interference by an extremely hard, non-magnetic cover strip. Using a special manufacturing process, the strip is laser welded to the rail which reliably protects the measuring scale from the effects of coolants and wear and tear. Measuring scales are consequently extremely robust and reliable.

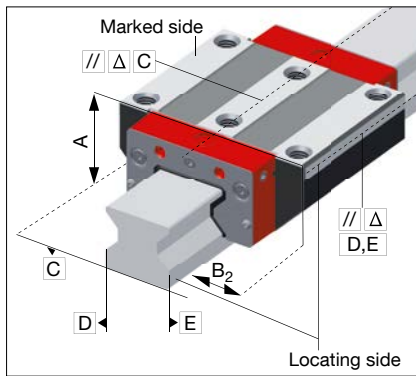


Supply of complete axis sets

If required, SCHNEEBERGER products can be supplied as sets ready for installation. This means that customers receive complete rail and carriage sets built up and checked to their requirements. The protection required is also adapted to suit individual requirements. Assembly by the customer is therefore limited to essential tasks such as aligning the systems to the surrounding structure, connection to the drive elements and lubrication system as well as hooking up the sensor system connection to the control system.





2.1 Guiding

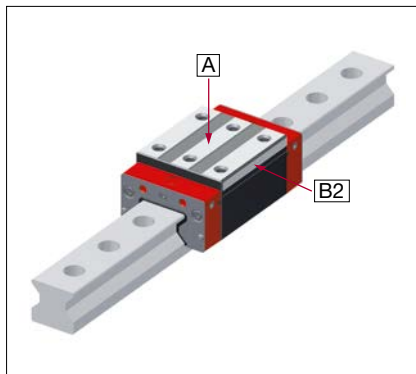
Features and options



Accuracy classes

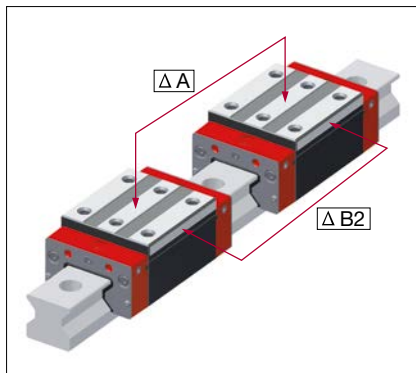
The four accuracy classes allow the user to select both the guid rails and the carriages in line with specific application and design requirements. Accuracy classes define the running accuracy of the rails and determine the dimensional tolerances of the carriages.

-  G0 Highly accurate
-  G1 Very accurate
-  G2 Accurate
-  G3 Standard

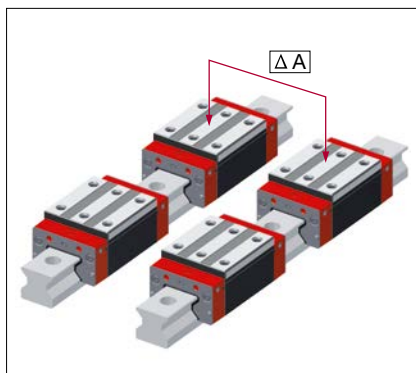


Dimensional tolerances

MONORAIL carriages and rails are manufactured independently of each other, both to very tight tolerances, and are therefore completely interchangeable. This means that any carriage can be used on any rail of the same size without any influence on the preload level because the preload is determined by the rolling elements of the carriage. For the dimensional differences between any carriages on any rail, the values from column one of the following table are applicable.



Accuracy classes	Tolerances between carriages and rails	Max. dimensional difference between the carriages of a rail	Max. dimensional difference of the carriages between 2 or more rails, standard
	A/B ₂	ΔA/ΔB ₂	ΔA Standard
G0	± 5 μm	3 μm	10 μm
G1	± 10 μm	5 μm	20 μm
G2	± 20 μm	7 μm	40 μm
G3	± 30 μm	25 μm	60 μm
	Measured at the middle of the carriage and in any rail position	Measured at the middle of the carriage and at the same rail position	Measured at the middle of the carriage and at the same rail position



2.1 Guiding

Features and options

Matched carriages

All the carriages in a set are fitted one behind another on a production norm, and their top and side joint surfaces are ground smooth. Then the main dimensions A and B2 are measured on a test rail, and the carriages would then be paired up. There are two quality levels of carriage matching.

Matching carriages	Maximum dimensional differences between carriages in a pair
Version	$\Delta A/\Delta B2$
SLWGP0	3 μm
SLWGP1	5 μm

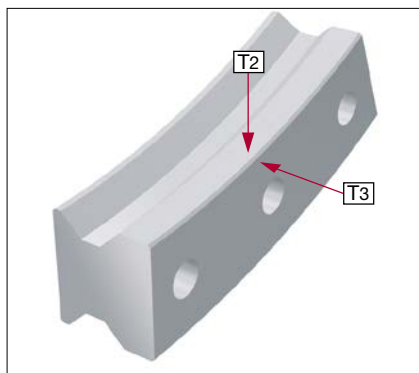
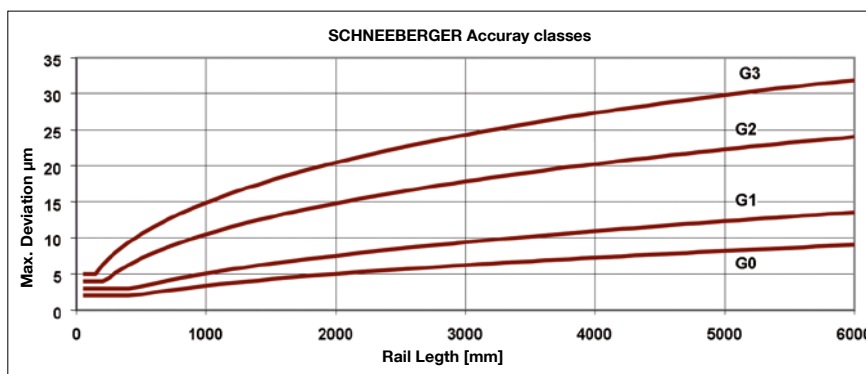
Matched rails

With "matched rails", we search the data to find suitable rails with similar characteristics. The criterion used for the selection process is the maximum difference in the run-off over the rail length, the so-called pairing tolerance. The range of all run-off reports for matched rails lies within this tolerance. Matched rails are available in four quality levels.

Matching rails	Mating tolerance
Version	
SLSGP0	5 μm
SLSGP1	10 μm
SLSGP2	15 μm
SLSGP3	20 μm

Running accuracy

The run-out accuracy of the carriages can be either linear or a wave-shaped within the tolerance limits. The maximum permissible deviation is defined by the accuracy class of a rail. The actual tolerance is determined from the above diagram as a function of rail length and accuracy class. Example: L 3 = 2000 mm with G2 accuracy gives a tolerance of 0.015 mm.



Straightness

To install profile guideway sections efficiently, it is essential to know the longitudinal degree of straightness and the curvature of a rail. As the rail section guideways are flexible components, they can deform longitudinally due to their own weight. Deformation can also be caused by the manufacturing process. In order to meet customers' installation requirements, rail straightness is optimised during manufacture. In addition to standard tolerances for rail deformation, SCHNEEBERGER offers special tolerances and / or inspection reports to a specific customer requirement.



Standard

2.1 Guiding

Features and options

Preload classes

The roller guideways are preloaded to enable them to work free of play under different load conditions. Basically, while preloading increases the rigidity of the guideway, it also affects operational life and increases the push force. SCHNEEBERGER guideways are available in various preload classes to address specific application requirements. The preload classes are dependent on the dynamic loading capacity C.

Preload classes			
V0	V1	V2	V3
Preload			
0 - 0.02 x C ₁₀₀	0.03 x C ₁₀₀	0.08 x C ₁₀₀	0.13 x C ₁₀₀
Operating conditions			
Very low-friction guideways for uniform loads, minimum vibrations	Low-friction guideways for uniform loads, slight vibrations	For high rigidity, medium, changing loads and vibrations	For highest rigidity, high impact / shock loads and vibrations, strongly changing, high loads and torques
Characteristics			
Rigidity		Service lifetime	
		Moving resistance	

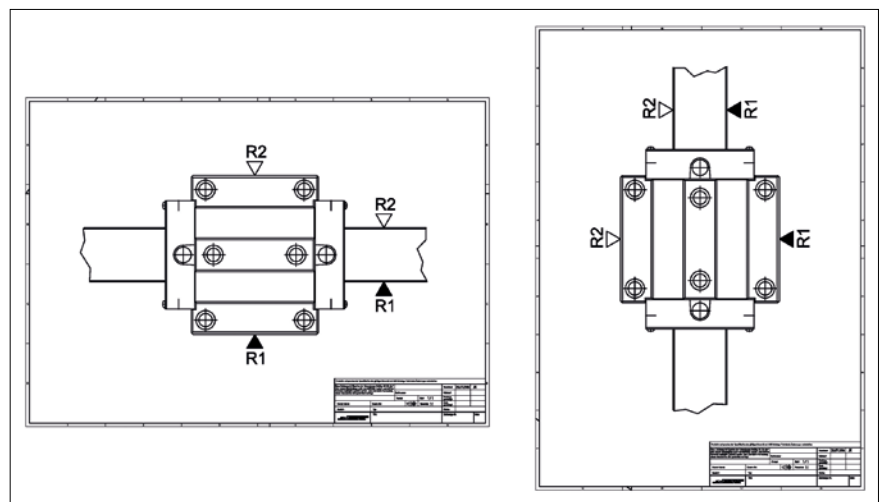
- V0 Very low
- V1 Low
- V2 Medium
- V3 High

Reference sides

Dependent on installation conditions of the products, the reference sides (attachment side) of the carriages and the section rails must be stated when placing an order.

A drawing of the products is the basis for this. R1 means below or right, R2 means top or left.

- R1 Reference bottom
- R2 Reference top

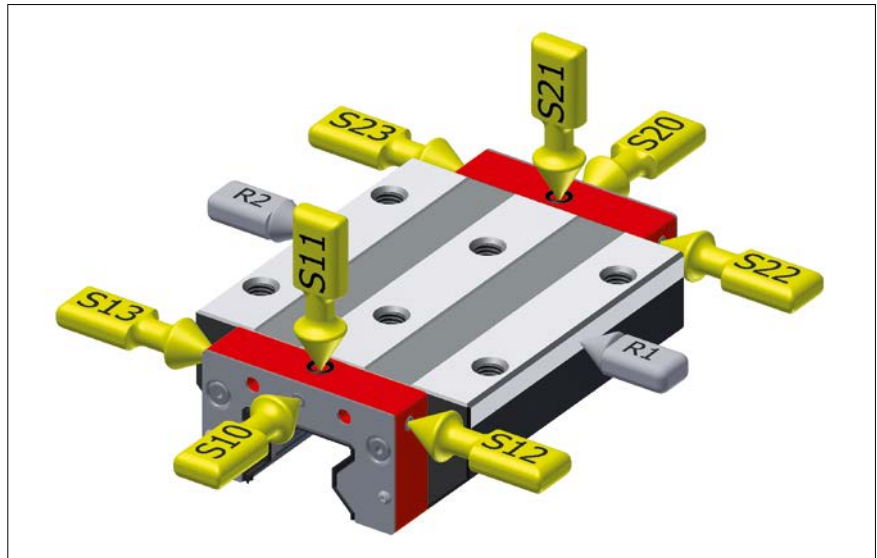


2.1 Guiding

Features and options

Lubrication connections

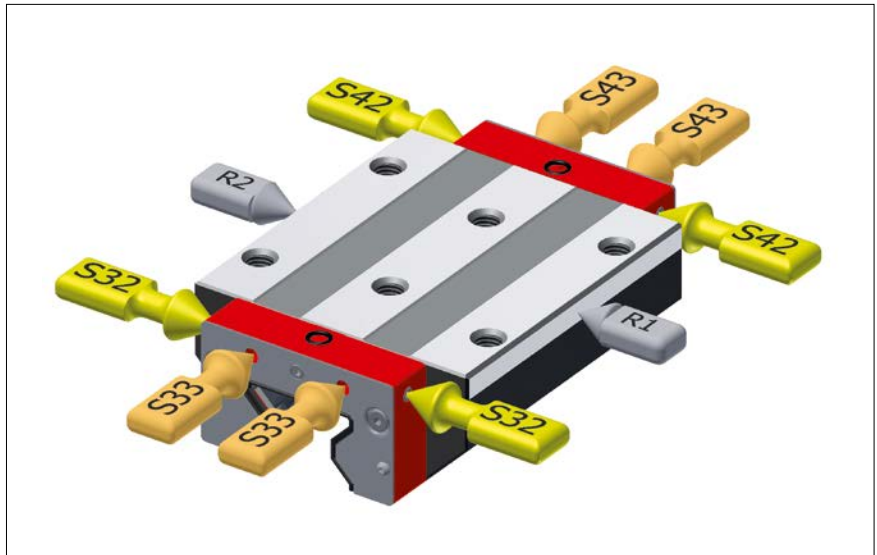
Front plates and carriage bodies have a wide range of options for lubrication connection. It is therefore possible to optimise the lubrication supply to the carriage to meet structural design. Either a lubricating nipple or a central lubrication system can be screwed into each connection. As standard, all four tracks are lubricated through one connection.

















Separate carriage lube connections for specific mounting positions

As a special feature for certain installation positions, SCHNEEBERGER systems provide for the independent lubrication of both sides of a carriage (S32, S42). This enhances the lubrication of the guideway and thus the service life of the machine.

Position of lubrication connection is defined with line of sight to the location side R1 in accordance with the picture.



-  S10 Left center
-  S20 Right center
-  S11 Top left
-  S21 Top right
-  S12 Lower left side
-  S22 Lower right side
-  S13 Upper left side
-  S23 Upper right side
-  S32 Left side
-  S42 Right side

-  S99 S10+S12+S13+S20+S22+S23
locked using threaded pins
-  S98 S32+S33+S42+S43
locked using threaded pins (only feasible for MR)
-  S49 For AMS with position of the housing P1:
S10+S12+S13 locked using threaded pins
-  S49 For AMS with position of the housing P3:
S20+S22+S23 locked using threaded pins

Lubrication as delivered condition

The carriages fitted to guideways can be supplied with a wide variety of lubricants according to the demands of the application, storage life and the final type of lubrication. For applications that provide continuous lubrication during installation and operating phases, oiling with oil (LN) or a light application of grease (LG) are enough.

A full application of grease (LV) is recommended for applications with manual lubrication.

 Oil protect

 Grease protect

 Full greasing

Friction

Push force is an important value within the system properties of a guideway. In the case of profile guideways, this is largely dependent on the friction of the sealing system. There is also friction from rolling contact and sliding friction when changing direction and returning.

Application specific frictional forces, such as the type of lubrication, the amount of external load as well as speed, are also present.

To minimize friction, SCHNEEBERGER profile guideways are manufactured with special plastics. To adjust friction from seals, sealing systems are available which have been adjusted to the application.

Coating

For applications where special corrosion protection is necessary, such as in cleanroom applications or due to high levels of humidity or when increased wear resistance of the surface is required, MONORAIL carriages and rails are available in hard-chrome plated versions.

The main advantages of applying this electroplated coating are:

- Excellent corrosion protection
- Very good wear resistance and surface load bearing capacity
- Smooth and good emergency running characteristics due to its micropearl structure
- Exceptional adhesion
- Consistent depth of coating

Please note that holes, threads and operating elements are not chrome-plated.

 None

 Hard chromium

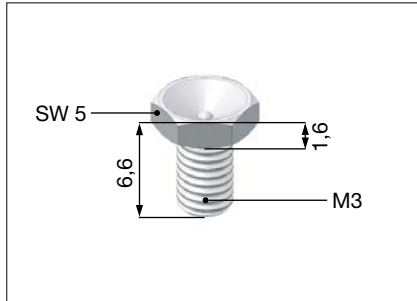
2.1 Guiding

Accessories for lubrication

Grease nipples

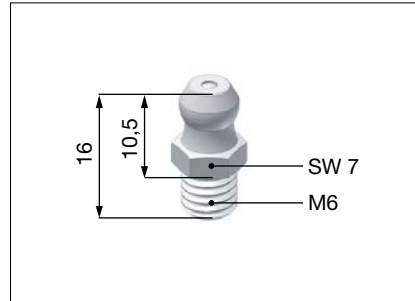
Grease nipple SN 3-T

Flush type grease nipple M3



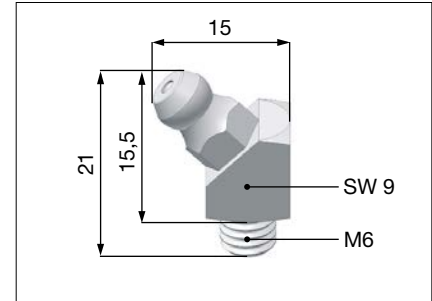
Grease nipple SN 6

Hydraulic-type grease nipple straight



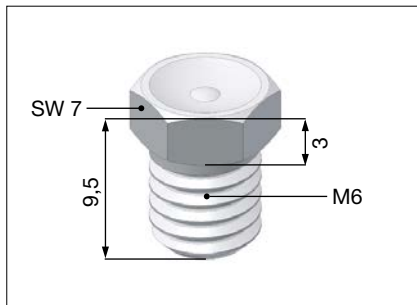
Grease nipple SN 6-45

Hydraulic-type grease nipple 45°



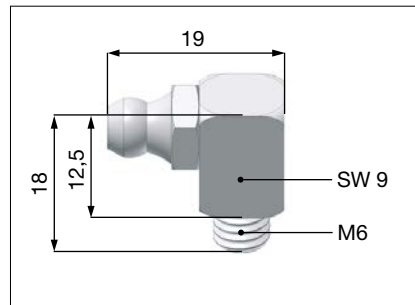
Grease nipple SN 6-T

Flush type grease nipple M6



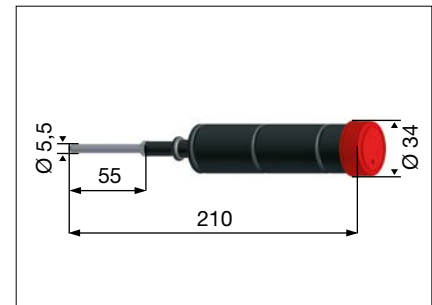
Grease nipple SN 6-90

Hydraulic-type grease nipple 90°



Grease gun SFP-T3

Grease gun for SN3-T and SN6-T



There are products having grease nipples, which can not be removed in the application. During rotation, this results in a collision between the grease nipple and:

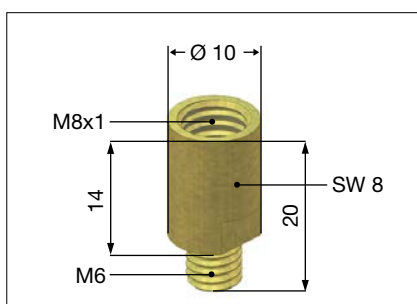
- the carriage
- the guide rail
- the connecting structure

In this case, the carriage must be removed from the guide rail to replace the grease nipple.

Lubrication adapters

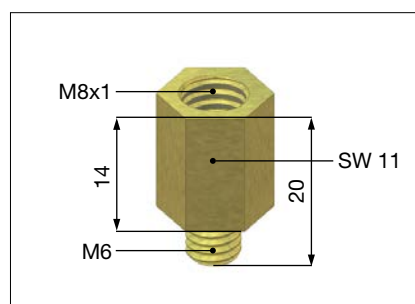
Lubrication adapter SA 6-RD-M8x1

Lubrication adapter M8 round-head



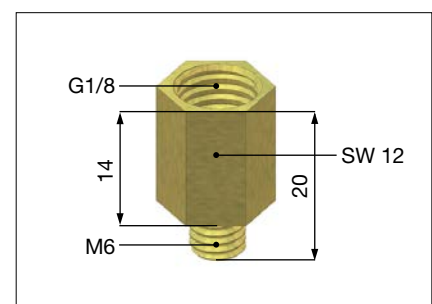
Lubrication adapter SA 6-6KT-M8x1

Lubrication adapter M8 hexagon head



Lubrication adapter SA 6-6KT-G1/8

Lubrication adapter G1/8 hexagon head



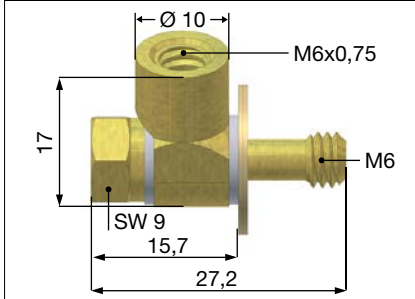
2.1 Guiding

Accessories for lubrication

Pipe connection

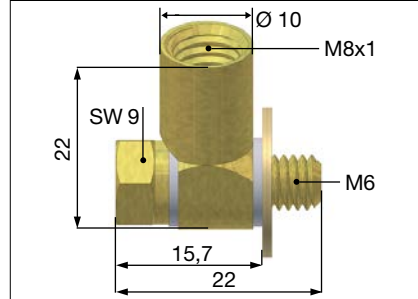
Swivel screw connection SV 6-M6-L

Swivel screw connection M6 long
(aluminum sealing)



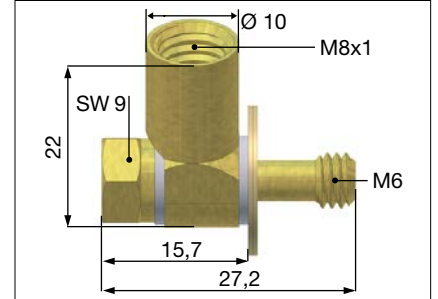
Swivel screw connection SV 6-M8

Swivel screw connection M8 (aluminum
sealing)



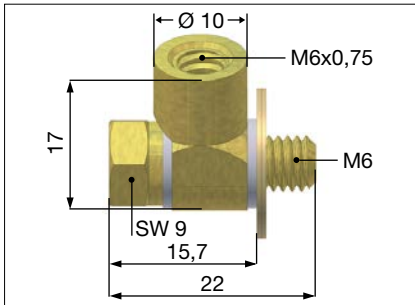
Swivel screw connection SV 6-M8-L

Swivel screw connection M8 long
(aluminum sealing)



Swivel screw connection SV 6-M6

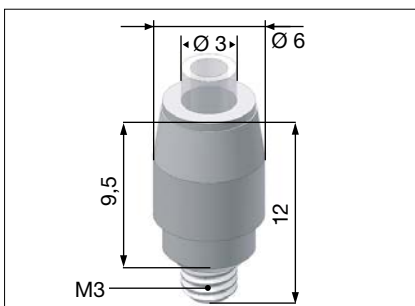
Swivel screw connection M6
(aluminum sealing)



Hose connection

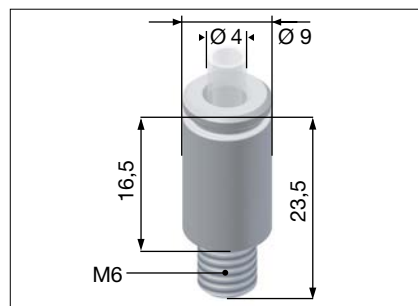
Screw-in connection SA 3-D3

Screw-in connection M3



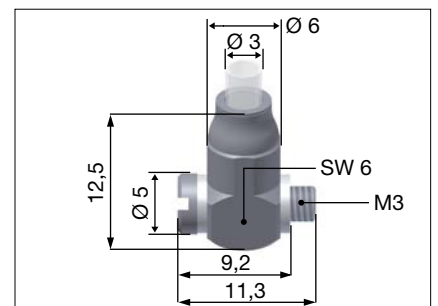
Screw-in connection SA 6-D4-RD

Screw-in connection M6



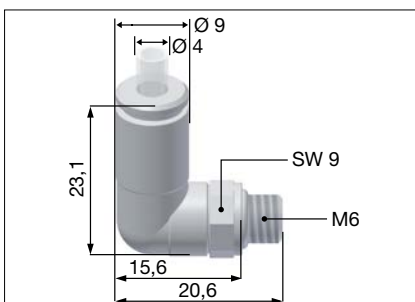
Swivel screw connection SV 3-D3

Swivel screw connection for hose
connection 3mm



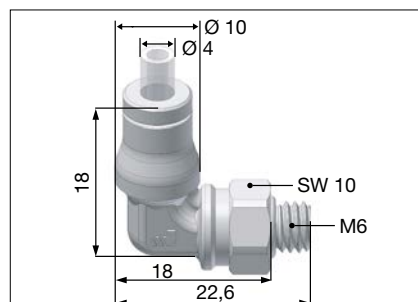
Swivel screw connection SV 6-D4-SW9

Swivel screw connection for hose
connection 4mm



Swivel screw connection SV 6-D4-SW10

Swivel screw connection for hose
connection 4mm



General area of application under normal conditions of use

Movement	MR	BM
Maximum speed	3 m/s	5 m/s
Maximum acceleration	50 m/s ²	100 m/s ²

Higher values are permissible, but are dependent on the type of carriage, lubrication, position when installed, pretension and load. If this is the case, please contact a SCHNEEBERGER agency before proceeding.

Working environment	MR	BM
Working temperature	-40 °C - +80 °C	-40 °C - +80 °C
Transportation temperature	-40 °C - +80 °C	-40 °C - +80 °C
Storable under the following storage conditions	3 years	3 years
Storage conditions	0° - 40° storage temperature < 75% humidity No chemical gases, vapors or liquids	0° - 40° storage temperature < 75% humidity No chemical gases, vapors or liquids

Materials

Rail	Roller bearing steel, hardened surfaces
Carriage	Roller bearing steel, fully hardened
Rolling element	Roller bearing steel, fully hardened
Synthetic parts	POM, PAPA, TPU injection moulded

Safety instructions!

Caution: Carriages can come loose from the guide rail if they are overloaded, inadequately lubricated or improperly serviced.

Appropriate design and technical safety measures need to be taken by the user, which prevent separation of carriage and guide rail in case of an error (e.g. due to loss of rolling element). A possible variant in a design measure is a safety clamp around the guide rail. The specifications of professional associations, relevant guidelines and standards for the application in question must also be observed.

Special characteristics

The product concept for BZ MONORAIL guides provides for the manufacture of one-piece section rail guides with integral racks up to 6 metres in length. These one-piece modules can be linked together to make axes of any length.

A prerequisite for this is that the butt transition joints are machined in a process specially developed for this purpose. The individual parts are installed and aligned using fixtures that are available separately.

Special cross-members are available for the safe transportation of the long individual rails. These aluminium trusses are designed to remain attached to the component while the toothed rail is installed and aligned and only finally removed after the latter has been finally fixed in place. This ensures that the rack can be safely transported, fitted and aligned without suffering any deformation.

In comparison to other screwed systems, BZ has a large number of connections between the rack and the guide rail thanks to the use of BM MONORAIL guides with fixing holes spaced half the normal distance apart. This means that very high lateral forces can be absorbed and compact designs with a high power density are possible. For details see SCHNEEBERGER application catalog

Tooth quality

SCHNEEBERGER MONORAIL BZ guideways are fitted with integral racks. The gearing used is specially designed for machine tool applications. 19°31'42'' helical gearing using module 2.5 and module 2.0 is employed to reduce noise and to achieve smooth running.

Dependent on customers' requirements, the teeth can be formed in two different qualities

For details see SCHNEEBERGER application catalog.

Order code:

DIN quality 5, hardened and ground **-Q5H-**

DIN quality 6, soft, milled **-Q6S-**

Comparison with other drive systems

Compared with other drive solutions used for linear movements, rack drives with BZ MONORAIL offer a number of benefits.

Where ball screws are concerned, these are a way of implementing several independent movements on a guide system.

BZ MONORAIL has a superior drive rigidity, which is independent of the length of the axis and independent of temperature thanks to the modular style of construction.

The rack elements are partially exchangeable when worn.

Accurately machined section rail guides and exceptionally precise rack segments result in a very smooth running pinion. The preload of the drive system thus remains constant along the full length and does not change in operation over time.

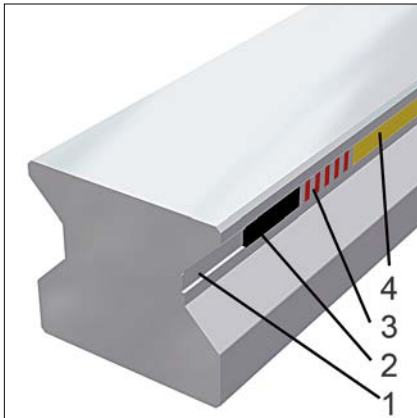
In combination with suitable motors or gearboxes, self-locking vertical drives can be implemented in the event of power failure.

In comparison to linear motors, BZ MONORAIL systems represent an economical and simple alternative that offers a high degree of efficiency. They are the ideal solution when machining a wide range of materials on long axes and in the face of adverse operating conditions.

General technical data

General technical data q.v. chapter 2.1 Technical Data Guiding

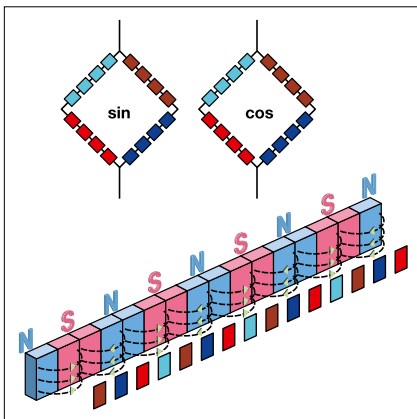
2.3 Guiding and measuring Magneto-resistive measuring method



How the measuring scale is made

The measuring strip contains two magnetic tracks: the fine incremental track with alternate N & S poles spaced at 200 μm intervals, and the reference track to determine the absolute position. The reference track can either have distance coded marks, marks set at regular intervals or even with only a single reference mark.

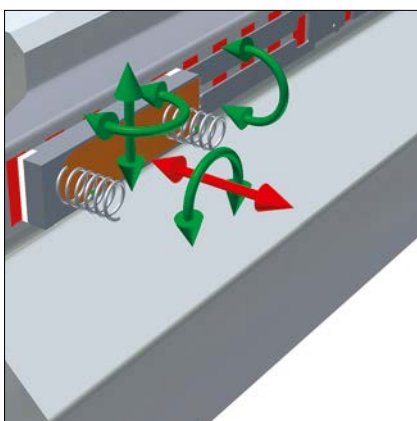
The measuring strip is fully integrated into the rail section. It is manufactured by first grinding a slot (1) into the finished rail section into which a strip of magnetic material (2) is inserted. This magnetic material is ground and magnetized (3). To protect the scale, a through hardened cover strip, that is magnetically permeable is used and welded to the rail (4).



Magneto-resistive position sensor

A relative movement between the sensor and the scale, results in a change in field strength in the magneto-resistive material leading to a change in electrical resistance that can be easily measured. The electrical circuitry of the Wheatstone bridge sensor elements means that interference from fluctuations in temperature, ageing and magnetic interference fields are kept to a minimum.

Two sinusoidal shaped signals with a 90° phase shift are obtained from the incremental magnetisation as a result of the arrangement of the sickle-shaped sensor elements. To improve accuracy, the signals from 104 individual elements, in line with the direction of measurement, are averaged. As the structure of the sensor is adapted to the magnetic division period, the influence of magnetic interference is heavily suppressed.

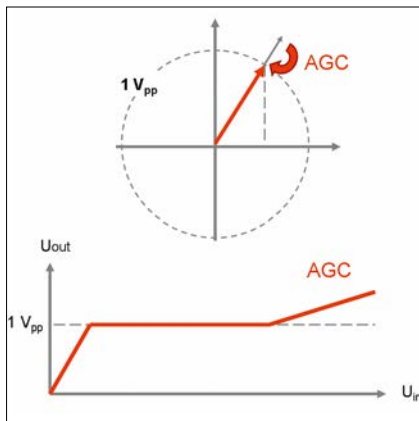


Positional independency of the sensor

All accuracy determining properties of the measuring signals (phase, differences in amplitude, harmonic wave characteristics, etc.) are anchored within the sensor. Therefore, even major deviations in position and twisting of the sensor do not lead to any reduction in signal quality: "The circuit remains stable."

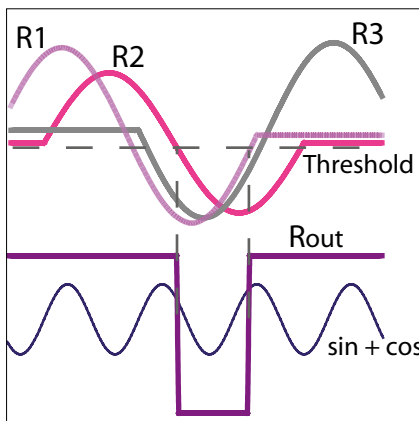
The direct benefits are a simple exchange of the measuring head without any need for adjustment, enhanced resistance against vibration and shock as well as a wide tolerance band for the operation of the measuring heads.

2.3 Guiding and measuring Magneto-resistive measuring method



Operating method of automatic gain control (AGC)

The current amplitude (represented by the periodic signals) is continually determined in the electronic measuring system. In the event of any deviations, the amplitude is adjusted. Therefore, a standard output signal is provided even in exceptional cases (installation errors, external errors or removal of the slider).



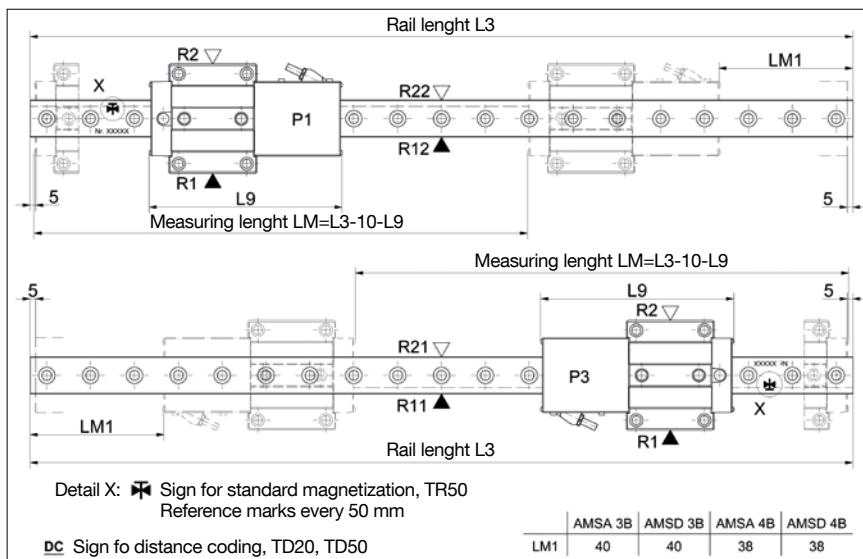
Reference point identification

The second track carries the AMS reference marks to determine the absolute position and reference the system. The accuracy of the reference points is decisive for the machine's zero or home position. A reference point is represented by three magnetic reference markers on the reference point magnetisation. The rising and falling flanks of the reference impulse each represent one piece of reference information. The third piece of reference information is redundant and is employed to increase the operational reliability of the reference point identification system. This operating principle thus suppresses any magnetic interference and, in dubious circumstances, does not provide a reference signal whenever any interference is encountered.

2.3 Guiding and measuring Features and options

Magnetization

AMS MONORAIL products are available with different reference marks that are surface-engraved by a laser. The illustration shows the position of the measuring carriage when registering the first reference mark.



TR50 AMS with 50mm reference mark grid.

TD50 AMS with distance coded reference marks
Reference marks spaced at 50.2/49.8/50.4/49.6/50.6/49.4/.../... mm.



Reference points, 50mm pattern



Distance code, 50mm pattern

Reading head position and attachment sides

In the order designation, SCHNEEBERGER denotes the attachment position of the reading head, the position of the scale and the reference sides of rail and carriage as they are shown in the drawing above. For drawings in portrait format, the drawing shown must be rotated counter-clockwise by 90°. The following information must be included when placing an order:

Attachment side of the rail and scale position:



Reference bottom, scale bottom



Reference bottom, scale top



Reference top, scale bottom



Reference top, scale top

Reading head position:



External (mounting) housing right, reading head top



External (mounting) housing left, reading head bottom

Attachment side of carriage:



Reference bottom



Reference top

2.3 Guiding and measuring Read head interfaces

Interface TSU / TSD

12 pole round plug with union nut and female thread
Cable length: 3m



Interface TRU / TRD

12 pole round plug with male thread
Cable length: 3m



Interface TRH

17 pole round plug with male thread
Cable length: 3m



Interface TMU / TMD

12 pole round plug built in a mounting base
Cable length: 0,3m



Interface TMH

17 pole round plug built in a mounting base
Cable length: 0,3m



Interface TDC

8 pole round plug with male thread built into the electronics housing



2.3 Guiding and measuring Read head interfaces

Terminal layout



Contact	Interfaces TSU / TRU / TMU		Interfaces TSD / TRD / TMD	
	Signal	Signaltype	Signal	Signaltype
1	-Ua2	- Cosine	- Ua2	A quad B signal
2	+5V Sensor	Supply voltage feed back	+5V Sensor	Supply voltage feed back
3	+Ua0	Reference signal	+Ua0	Reference signal synchronized
4	-Ua0	Reference signal	- Ua0	Reference signal synchronized
5	+Ua1	+ Sine	+Ua1	A quad B signal
6	-Ua1	- Sine	- Ua1	A quad B signal
7	-Uas	NC	- Oas	Error signal active low, minimum duration 20 ms
8	+Ua2	+ Cosinue	+ Ua2	A quad B signal
9	-	NC	-	NC
10	0V (GND)	Supply voltage	0V (GND)	Supply voltage
11	0V Sensor	Supply voltage feed back	0V Sensor	Supply voltage feed back
12	+5 V	Supply voltage	+5 V	Supply voltage

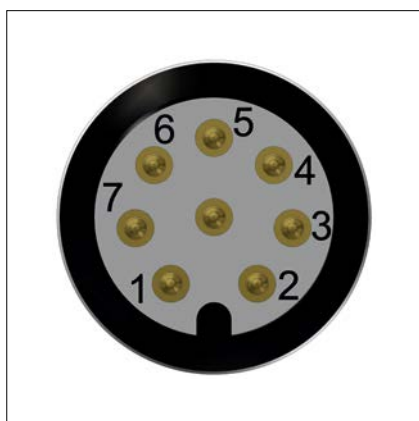


Contact	TRH / TMH / TSH (Interface SSI / Fanuc / Mitsubishi)	
	Signal	Signal type
1 ^{1,2}	+5V sensor	Supply voltage feedback
2	-	NC
3	-	NC
4 ^{1,3}	0V sensor	Supply voltage feedback
5	-	internal parameterisation
6	TxD	internal parameterisation
7 ^{1,2}	+5V to 24V	Supply voltage
8	+CLK	+ Pulse
9	-CLK	- Pulse
10 ^{1,3}	0V (GND)	Supply voltage
11	-	inner screen
12	+Ua2	+ Cosine
13	- Ua2	- Cosine
14	+DATA	+ Data
15	+Ua1	+ Sine
16	- Ua1	- Sine
17	- DATA	- Data

¹ If the controller is not using the line for supply voltage feedback, lines 1 and 4 and lines 7 and 10 can be combined to reduce the voltage drop or to permit longer cable lengths.

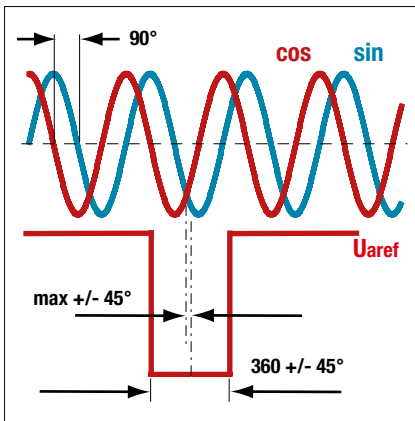
² The contacts 1 and 7 are interconnected on the AMS side

³ The contacts 4 and 10 are interconnected on the AMS side



Contact	Interface TDC	
	Signal	Function
1	+24 V	Power supply (positive)
2	(TXD for service only)	Communication with service program
3	RXP	Received data +
4	RXN	Received data -
5	GND (0V)	Power supply (negative)
6	TXN	Sent data -
7	TXP	Sent data +
8	(RXD for service only)	Communication with service program

2.3 Guiding and measuring Read head interfaces

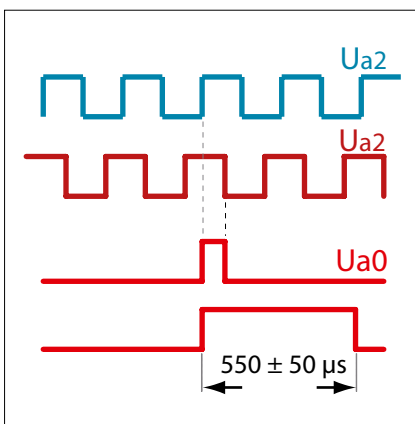


TSU/TRU/TMU analog voltage interfaces

The signals are shown inverted according to differential gain. The incremental signals are displaced by exactly 90° in their phasing. The levels after differential gain of the incremental signals and of the reference signals are 1 +/- 0.1 V_{pp}. The incremental signals supply valid values between 0.6 V_{pp} and 1.2 V_{pp}.

On production standards, the reference pulse is set symmetrically to the intersection of sine and cosine (at 45°). The width and the phasing of the reference pulse is limited as shown in the illustration. On the receiver side, the precision of the reference mark can thus be increased by the additional use of the incremental information.

This interface works with all standard control systems that support a 1 V_{pp} voltage interface.



TSD/TRD/TMD digital interfaces

The incremental signals A+, A-, B+, B- and the reference signals R+, R- transmit the data complementary according to RS 422. The illustration shows the positive signals. The levels of the individual signals are:

High > 2,5 V Low < 0,5 V

Rise and fall times are less than 20 ns. The minimum signal distances can be calculated from the maximum output frequency. The downstream electronics must be able to process the maximum output frequency without any problems.

Option **ZN**: The reference pulse is strictly synchronised with the incremental signals.

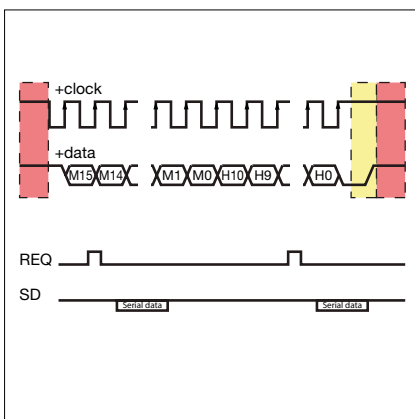
Option **ZF**: The reference pulse is extended to 550 μs +/- 50 μs. This option is used with evaluation electronics that cannot process multiple short-term reference impulses

The following combinations of **interpolation factor**, **maximum output frequency** and **reference impulse implementation** are available for all reading head interfaces.

- 010-80-ZN 5 μm, interpolation 10x, max. output frequency 8 MHz
- 050-80-ZN 1 μm, interpolation 50x, max. output frequency 8 MHz
- 250-80-ZN 0,2 μm, interpolation 250x, max. output frequency 8 MHz
- 010-80-ZF 5 μm, interpolation 10x, max. output frequency 8 MHz
- 050-80-ZF 1 μm, interpolation 50x, max. output frequency 8 MHz
- 250-80-ZF 0,2 μm, interpolation 250x, max. output frequency 8 MHz

Order code:

-010-80-ZN- interpolation 10fach, max. output frequency 8 MHz, reference impulse standard



Absolute interfaces TRH / TMH / TSH

The absolute information can be transferred via fully digital interfaces, or via hybrid ones.

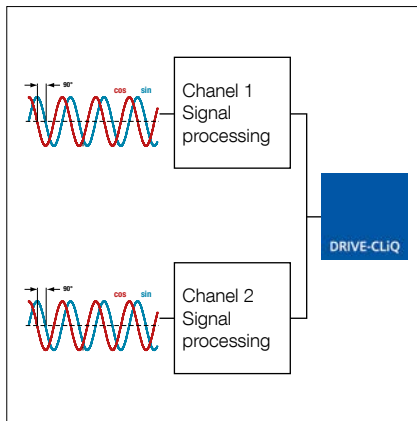
In the case of the fully digital SSI interface, the first channel (+pulse) sends a clock signal from the receiver to the measuring system; the second channel (+data) simultaneously sends the absolute position values from the measuring system to the sequential electronics unit.

Another example is the fully digital "Fanuc Serial Interface". The motor controller simply sends a request signal (REQ), rather than a pulse. From this, the measuring system calculates the clock rate, which it uses to send the position data and the supplementary data (SD) to the receiver.

The SSI+SinCos hybrid interface only sends the digital absolute initial position when it is switched on, and from then on it sends incremental additional 1 V_{pp} signals.

The SSI interface can be connected to any commercial controller with an SSI interface. The "Fanuc Serial Interface" is designed for a Fanuc controller, and the SSI+SinCos interface is designed for a Siemens controller.

2.3 Guiding and measuring Read head interfaces



Absolute interface TDC

The absolute information of the measuring system is transmitted via the Drive CLiQ® communication interface, which is a real-time serial interface for bidirectional data transfer with Siemens controllers. The connection of the measuring system is suitable for safety-oriented applications and facilitates the use of the SAFETY INTEGRATED functions that are available for the Siemens SINAMCS and SINUMERIK controllers. The system meets the requirements for functional safety according to IEC 61508-1:2010 and is suitable for applications up to SIL 2.

®Drive CLiQ is a registered trademark of Siemens

2.3 Guiding and measuring Accessories - Cables

KAO 12

Connecting cable, 12 pole, socket with female thread - plug with female thread

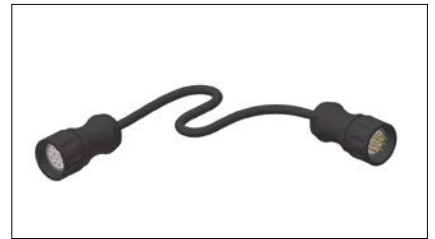
For read head:



Order code: **KAO 12-xx** (xx = length in m)

Available lengths: 3, 5, 10, 15 and 20m

Order example: KAO 12-5



KAO 13

Connecting cable, 12 pole, socket with female thread - open ends

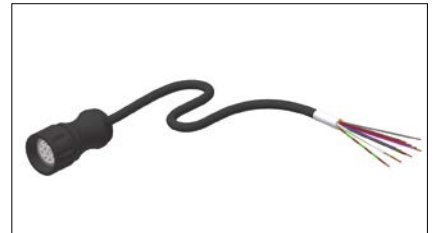
For read head:



Order code: **KAO 13-xx** (xx = length in m)

Available lengths: 3, 5, 10, 15 and 20m

Order example: KAO 13-5



KAO 14

Extension cable, 12 pole, socket with male thread - plug with female thread

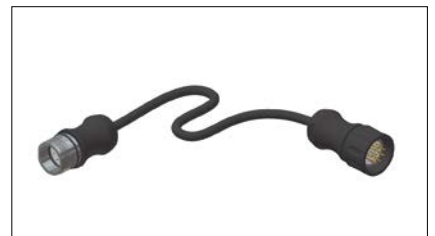
For read head:



Order code: **KAO 14-xx** (xx = length in m)

Available lengths: 3, 5, 10, 15 and 20m

Order example: KAO 14-5



KAO 15

Extension cable, 12 pole, socket with female thread - plug with male thread

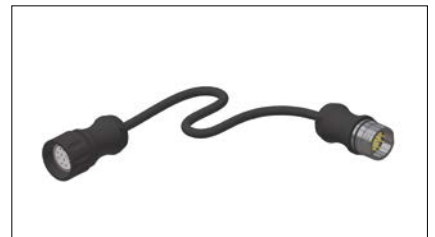
For read head:



Order code: **KAO 15-xx** (xx = length in m)

Available lengths: 3, 5, 10, 15 and 20m

Order example: KAO 15-5



KAO 16

Connecting cable, 12 pole, socket with female thread - FANUC plug

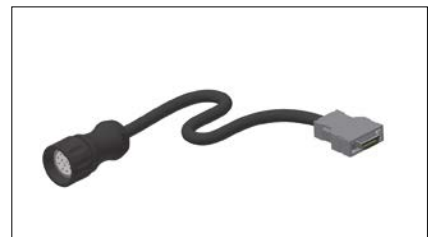
For read head:



Order code: **KAO 16-xx** (xx = length in m)

Available lengths: 3, 5, 10, 15 and 20m

Order example: KAO 16-5



KAO 20

Connecting cable, 17 pole, single shield, socket with female thread – FANUC plug

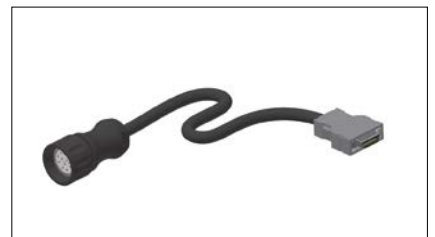
For read head:



Order code: **KAO 20-xx** (xx = length in m)

Available lengths: 3, 5, 10, 15 and 20m

Order example: KAO 20-5



KAO 23

Connecting cable, 17 pole, double shield, socket with female thread – open ends

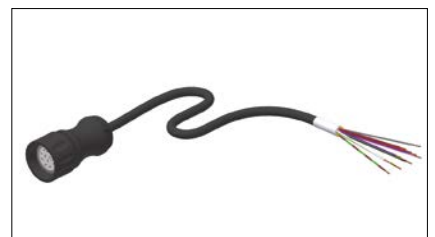
For read head:



Order code: **KAO 23-xx** (xx = length in m)

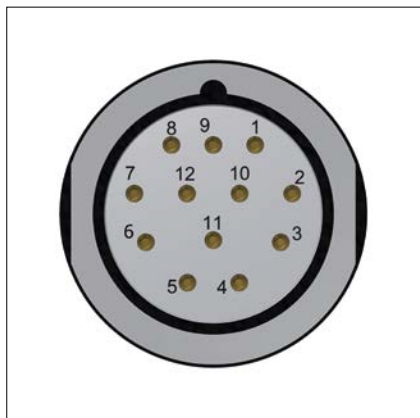
Available lengths: 3, 5, 10, 15 and 20m

Order example: KAO 23-5



2.3 Guiding and measuring Accessories - Cables

Terminal layout connection cable KAO 13

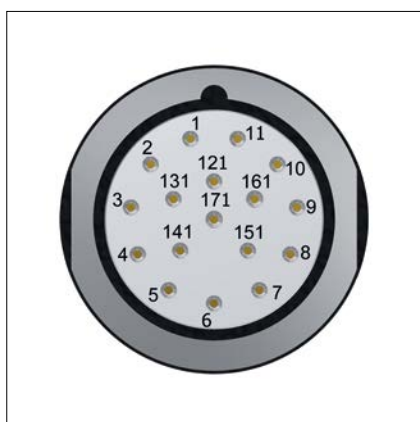


Contact	Interfaces TRU / TMU		Open ends
	Signal	Signaltype	Color of the cables
1	-Ua2	- Cosine	pink
2	+5V Sensor	Supply voltage feed back	blue
3	+Ua0	Reference signal	red
4	-Ua0	Reference signal	black
5	+Ua1	+ Sine	brown
6	-Ua1	- Sine	green
7	-Uas	NC	purple
8	+Ua2	+ Cosinue	gray
9	-	NC	-
10	0V (GND)	Supply voltage	white / green
11	0V Sensor	Supply voltage feed back	white
12	+5 V	Supply voltage	brown / green



Contact	Interfaces TRD / TMD		Open ends
	Signal	Signaltype	Color of the cables
1	- Ua2	A quad B signal	pink
2	+5V Sensor	Supply voltage feed back	blue
3	+Ua0	Reference signal synchronized	red
4	- Ua0	Reference signal synchronized	black
5	+Ua1	A quad B signal	brown
6	- Ua1	A quad B signal	green
7	- Oas	Error signal active low, minimum duration 20 ms	purple
8	+ Ua2	A quad B signal	gray
9	-	NC	-
10	0V (GND)	Supply voltage	white / green
11	0V Sensor	Supply voltage feed back	white
12	+5 V	Supply voltage	brown / green

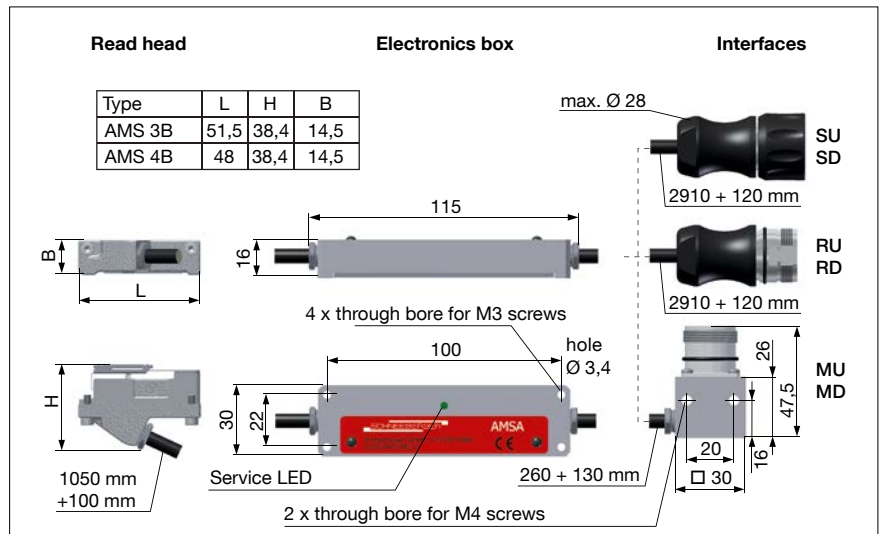
Terminal layout connection cable KAO 23



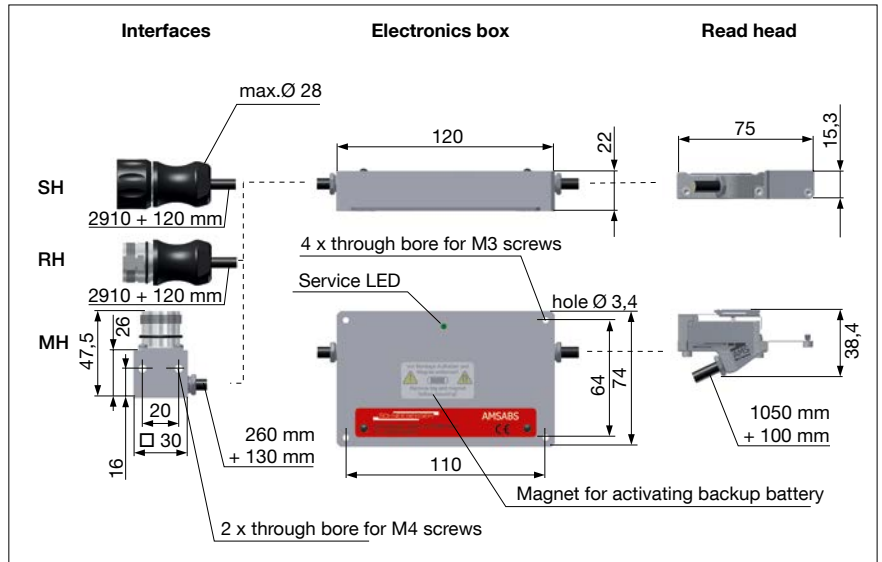
Contact	Interfaces TRH / TMH		Open ends
	Signal	Signal type	Color of the cables
1	+5V sensor	Supply voltage feedback	blue
2	-	NC	-
3	-	NC	-
4	0V sensor	Supply voltage feedback	white
5	-	Internal parameterisation	-
6	TxD	Internal parameterisation	-
7	+5V to 24V	Supply voltage	brown / green
8	+CLK	+ Pulse	gray
9	-CLK	- Pulse	pink
10	0V (GND)	Supply voltage	white / green
11	-	Inner screen	-
12	+Ua2	+ Cosine	brown
13	- Ua2	- Cosine	green
14	+DATA	+ Data	red
15	+Ua1	+ Sine	purple
16	- Ua1	- Sine	yellow
17	- DATA	- Data	black

2.3 Guiding and measuring Dimensions reading head

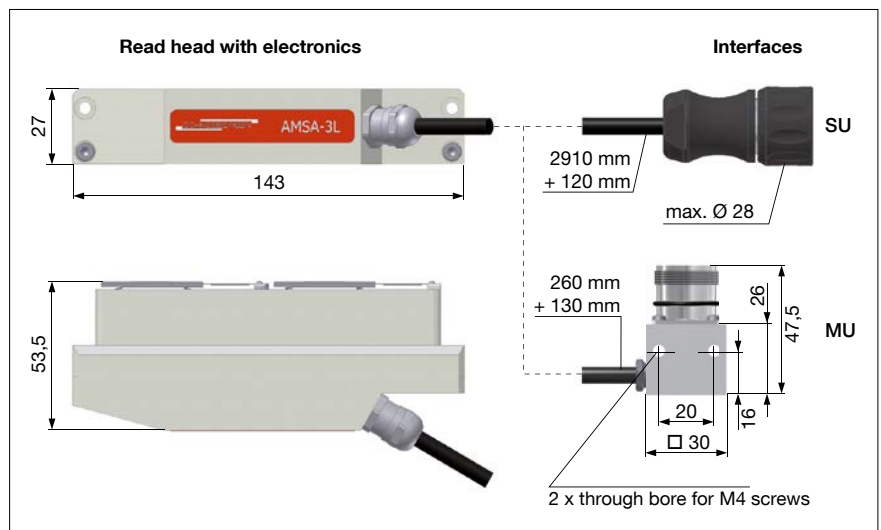
AMS 3B/4B



AMSABS 3B/4B

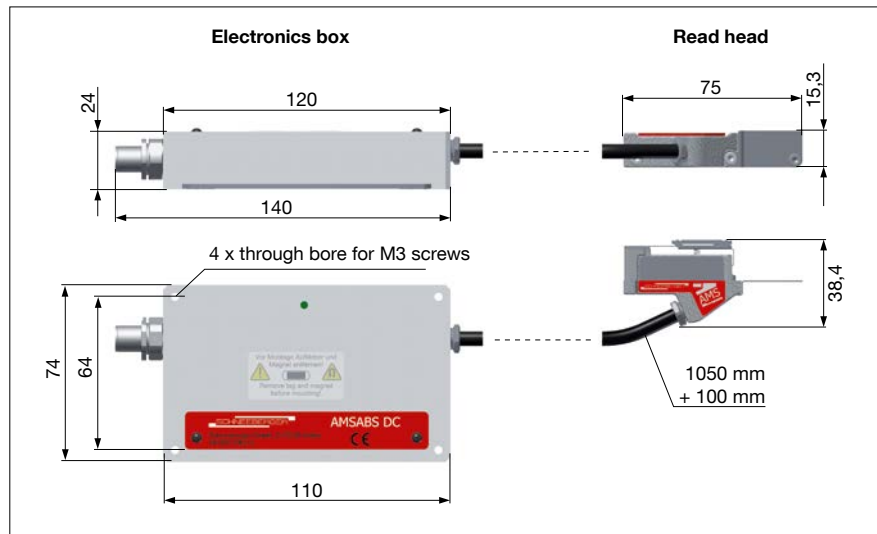


AMSA 3L



2.3 Guiding and measuring Dimensions reading head

AMSABS-DC



2.3 Guiding and measuring General technical data

System properties

Material measure	Magnetically hard periodic N-S graduation
Signal period	200 μm
Working temperature	0 °C - +70 °C
Working environment	
Protection class	IP 68 (IP 67 for AMSA 3L)
Transportation temperature	-20 °C - +70 °C
Storable under the following storage conditions	3 years
Storage conditions	0° - 40° storage temperature < 75% humidity No chemical gases, vapors or liquids

	AMSA 3B AMSA 4B	AMSD 3B AMSD 4B	AMSA 3L
Accuracy class	+/- 5 μm / 1000 mm +/- 2 μm / 40 mm	+/- 5 μm / 1000 mm +/- 2 μm / 40 mm	+/- 5 μm / 1000 mm +/- 2 μm / 40 mm
Accuracy at the butt joint	-	-	$\Delta X_{pp} = \pm 7 \mu\text{m}$, $\Delta X_{StSz} = \pm 5 \mu\text{m}$
Periodic deviation	+/- 0,7 μm	+/- 0,7 μm	+/- 0,7 μm
Resolution	max. 0,0625 μm	0,2 / 1,0 / 5,0 μm	max. 0,0625 μm
Hysteresis	< 0,5 μm	< 0,5 μm or digitally adjustable	< 0,5 μm
Interface	Analog; 1 Vss	Digital; Quadratur signals RS 422 with reference and error signals; Reference pulse width 90° or 500 μs	Analog; 1 Vss
Supply voltage	5 V +/- 0,25 V	5 V +/- 0,25 V	5 V +/- 0,25 V
Stromaufnahme	40 mA	110 mA	92 mA
Max. Speed	AMSA 3B 3 m/s; AMSA 4B 5 m/s	3 m/s; Max. 1 m/s with resolution of 0,2 μm	1 m/s

ΔX_{pp} = Max. deviation (the sum of all deviations)

ΔX_{StSz} = Features of the read head

	AMSABS 3B TSS;TF1;TM1 AMSABS 4B TSS; TF1;TM1	AMSABS 3B TS1 AMSABS 4B TS1	AMSABS 3B TS2 AMSABS 4B TS2
Accuracy class	+/- 5 μm / 1000 mm +/- 2 μm / 40 mm	+/- 5 μm / 1000 mm +/- 2 μm / 40 mm	+/- 5 μm / 1000 mm +/- 2 μm / 40 mm
Periodic deviation	+/- 0,7 μm	+/- 0,7 μm	+/- 0,7 μm
Resolution	max. 0,09765625 μm ; TM1 0,05 μm	max. 0,09765625 μm	0,050 μm
Hysteresis	< 0,5 μm	< 0,5 μm	< 0,5 μm
Interface	Digital; TSS cycle synchronous serial interface (SS); TF1 FANUC Serial Interface; TM1 Mitsubishi Serial Interface	Hybrid; Cycle synchronous serial and analogue interface 1 Vpp	Siemens Drive CliQ® communications protocol
Supply voltage	5 V \pm 10% or 24 V \pm 10%	5 V \pm 10% or 24 V \pm 10%	24 V (19VDC..31VDC) (PELV EN50178)
Current consumption	< 200 mA Outputs unloaded	< 200 mA Outputs unloaded	<50 mA (typical at 24 V)
Max. Speed	3 m/s	3 m/s	3 m/s

2.4 Ordering information Order code and examples

Rails, carriages and accessories are always denoted by separate order codes. This also applies to different versions of rails and carriages.

The order codes for individual rails, carriages and accessories are in the data section of this catalogue from section 3 on. An attempt has been made here to code all versions by position in order to reduce the error rate in the ordering procedure.

Please use the following order schedule for orders that are to be supplied preassembled:

Order code for MONORAIL systems

Set consisting of:

/ n x S

/ n x W

/ n x W (optional)

/ n x S (optional)

/ n x W (optional)

/ n x Z

NB

S = complete order code for a rail

W = complete order code for a carriage

Z = complete order code for an accessory

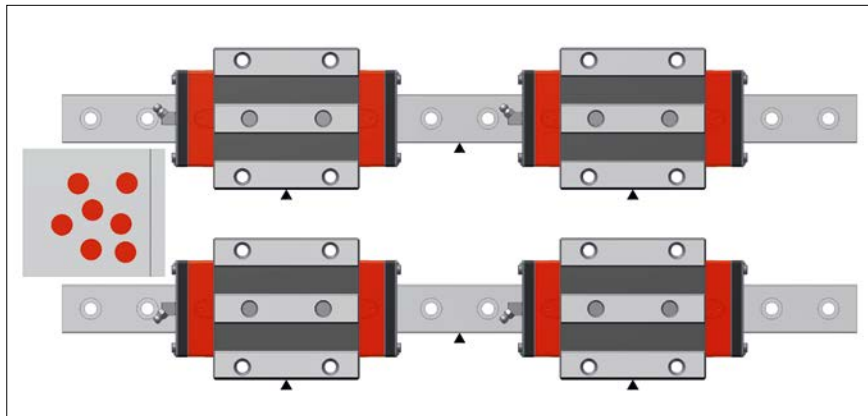
"/" = indicates everything that belongs to a set in an order

n = number, indicates products of the same type

If no customer-related information is available, the rails and carriages are assembled in accordance with the sequence of the items ordered, i.e. the first rail at the top followed by the carriages on the first rail from left to right; then the second rail below it with the carriages from left to right et cetera, cf example 2.

This means that - if rail types and carriage types are different in the order placed - the carriages are always immediately below the relevant rail and in the assembly sequence from left to right.

Example 1: Order without a layout sketch - same types of component



2 identical rails each with 2 identical carriages, accessories (additional wipers) can be clearly allocated due to the number.

Plugs for the rails are always supplied unfitted.

Set consisting of:

/ 2 x MR S 35-N-G1-KC-R1-918-19-19-CN

/ 4 x MR W 35-B-G1-V3-R1-CN-S10-LN

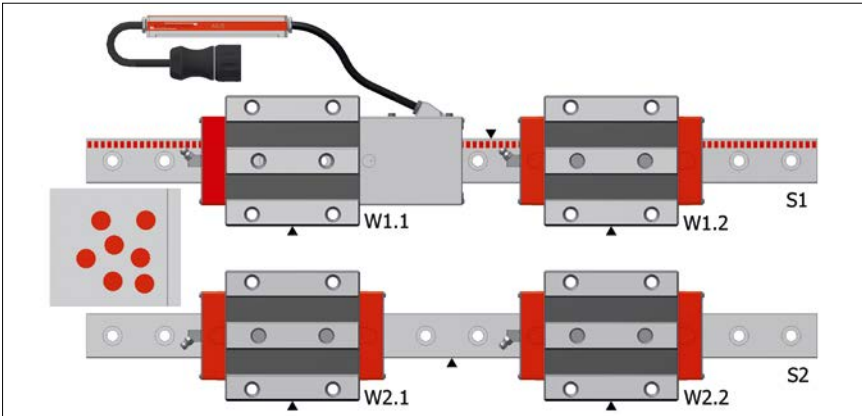
/ 2 x MRK 35 (50 pieces)

/ 8 x ZCV 35

/ 4 x SN 6-45

2.4 Ordering information Order code and examples

Example 2: Order without a layout sketch - different types of component

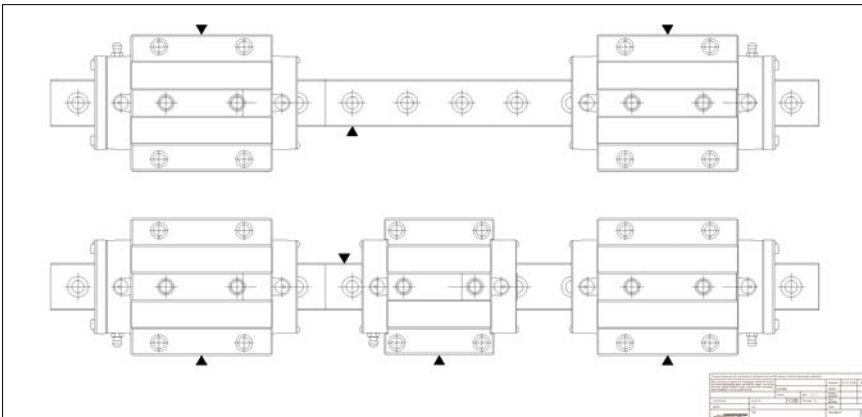


2 different rails and 2 different carriage types, uniform lubrication accessories, allocation and sequence of rails and carriages acc. to the sequence of the items in the order.

Set consisting of:

- / 1 x AMSA 3B S 35-N-G1-KC-R22-918-19-19-CN-TR50 (S1)
- / 1 x AMSA 3B W 35-B-P1-G1-V3-R1-CN-S10-LN-TSU (W1.1)
- / 1 x MR W 35-B-G1-V3-R1-CN-S10-LN (W1.2)
- / 1 x MR S 35-N-G1-KC-R1-918-19-19-CN (S2)
- / 2 x MR W 35-B-G1-V3-R1-CN-S10-LN (W2.1 + W2.2)
- / 2 x MRK 35 (50 Stück)
- / 4 x SN 6-45

Example 3: Order according to customer's layout sketch - different components



2 different rails, 2-part in each case, 5 different carriages.

The rails, carriages and accessories are impossible to allocate clearly without a layout sketch.

Set consisting of:

- / 1 x MR S 35-ND-G1-KC-R1-2478-19-19-CN (Teillängen L3 = 999mm/1479mm)
- / 1 x MR W 35-B-G1-V3-R2-CN-S13-LN
- / 1 x MR W 35-B-G1-V3-R2-CN-S23-LN
- / 1 x MR S 35-ND-G1-KC-R2-2478-19-19-CN (Teillängen L3 = 999mm/1479mm)
- / 1 x MR W 35-B-G1-V3-R1-CN-S12-LN
- / 1 x MR W 35-A-G1-V3-R1-CN-S12-LN
- / 1 x MR W 35-B-G1-V3-R1-CN-S22-LN
- / 5 x MRK 35 (125 Stück)
- / 4 x ZCV 35
- / 5 x SN 6

Important:

Apart from the order designation, further information is required for the troublefree order processing of special versions of MONO-RAIL systems. For this purpose, the order must include a layout sketch containing the following information:

- Part-lengths and the sequence of the segments for multipart rails
- Carriage type and position in the event of different carriage types on one rail
- Position of additional wipers, lubricating panels and lubricating accessories

2.5 Precautionary measures General pointers

Please note the following pointers to ensure that your MONORAIL guideways remain in peak working condition throughout their service life:

All SCHNEEBERGER products are precision components that are appropriately protected and packaged at the factory for the purpose of transport. Systems must therefore be protected from vibrations, shock and humidity when being transported and stored.

Please note the pointers on transport and installation that accompany the measuring systems.

Installation of the guideways and the covering of the holes in the rails must be carried out by qualified staff. Please refer to the Download section of www.schneeberger.com for pointers on installation.

Guideways must be adequately supplied with a lubricant that is suited to their movements and load profile as well as to the conditions under which they are expected to operate. If necessary, please contact a lubricant supplier, who will be pleased to advise you on the choice of the correct lubricant. Recommendations will also be found at www.schneeberger.com.

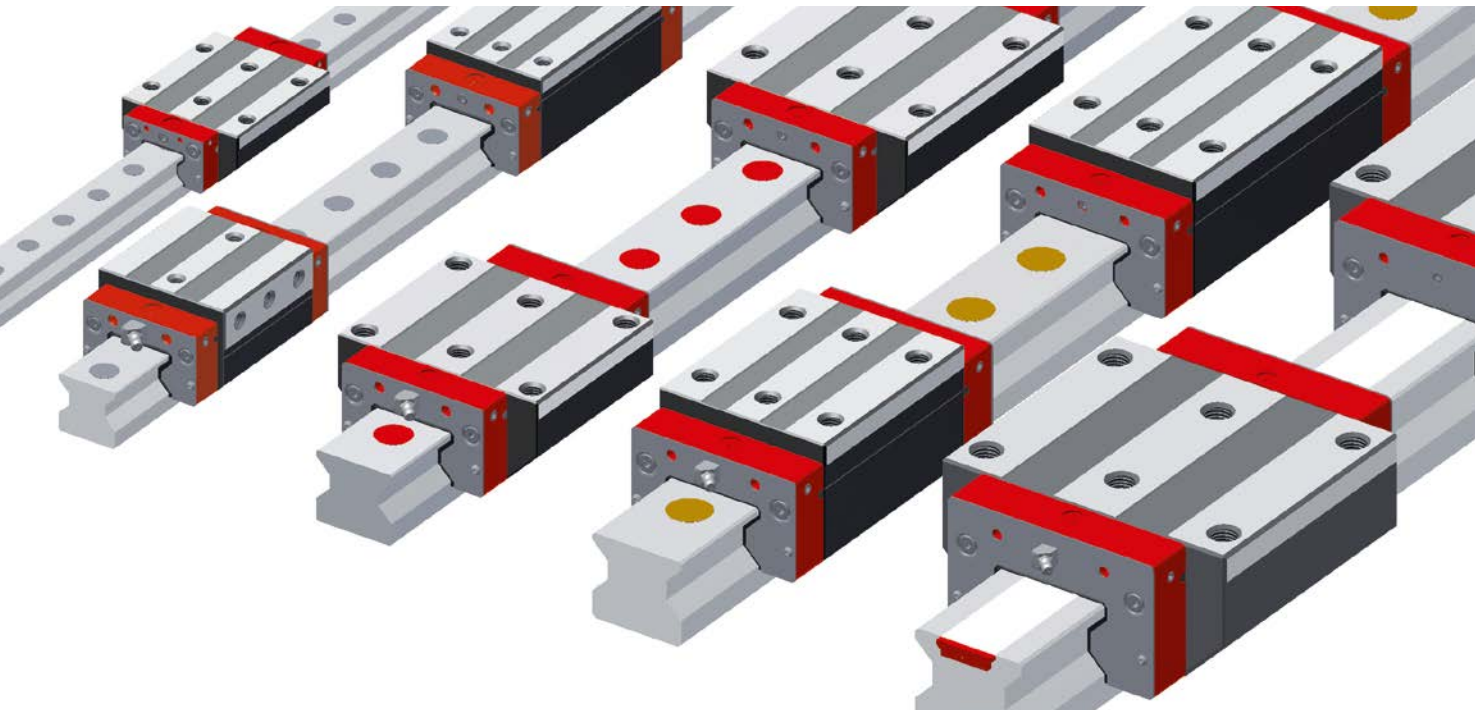
Prior to use, the compatibility of coolants and lubricants must be checked and verified by the user in order to preclude any detrimental effect(s) on the guideway.

To protect them from dirt, hot metal chips and any direct contact with coolants, guideways should have covers fitted or be appropriately positioned.

If contact with dirt or coolant is anticipated in the course of machining operations, the fitting of additional wipers to the products is necessary. The long-term serviceability of these components must be assured by amended service intervals. Please refer to www.schneeberger.com for pointers on these products.

If the guideway gets into contact with hot chips an additional use of wipers is recommended. For further information please visit www.schneeberger.com.

The wipers on the ends as well as the additional wipers fitted to MONORAIL carriages must be examined at regular intervals for wear and tear and replaced if necessary.



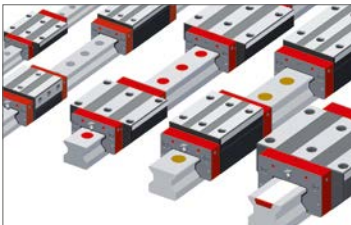
Exceptional rigidity, high dynamic and static load-carrying capacities, outstanding smooth running and a fully sealed carriage are the main features of the MONORAIL MR Roller Guideway. Specifically designed for machine tools, these properties result in higher machining rates plus enhanced geometrical accuracy and surface quality of the machined component. The exceptional all-round rigidity of the products and the method of connection with the surrounding structure provide improved vibration behaviour at lower amplitudes therefore extending tool life.

The MONORAIL MR 4S carriages have a new design. The product remains compatible as a complete system (carriage and guideway). Carriages in the 4S design, as well as previous carriage designs, can be operated on the guide rails, which have remained unchanged by the new carriage design. The accessories have been modified and can be used for 4S carriages as well as previous carriage designs. Underpinned by key design changes such as new redirection units (gray) for low-pulsation running, improved lubricant distribution with less leakage, a more robust front plate with stainless steel plates and with four screw fastenings, replaceable cross wipers, and optimized longitudinal and cross wipers for even better sealing.

Features of System MONORAIL MR

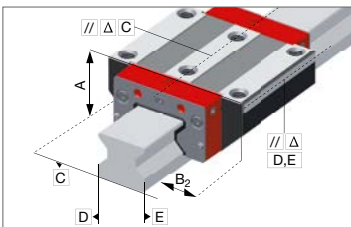


3.1 Overview of types, sizes and available options 38



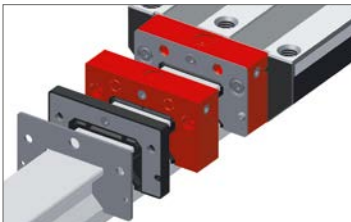
Product overview MR Rails	38
Product overview MR Carriages	39

3.2 Technical data and options 40



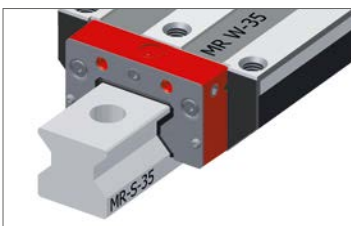
MR Buildsize 25	40
MR Buildsize 30	42
MR Buildsize 35	44
MR Buildsize 45	46
MR Buildsize 55	48
MR Buildsize 65	50
MR Buildsize 100	52

3.3 Accessories MONORAIL MR 54



Accessories overview	54
MR Rails accessory details	55
MR Carriages accessory details	58

3.4 Order key 61

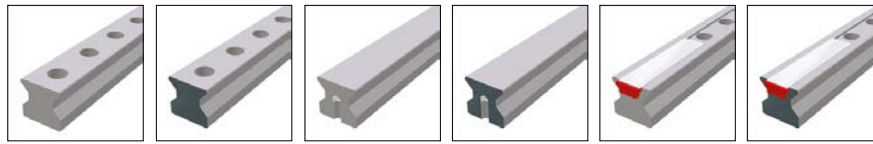


Order key MR Rails	61
Order key MR Carriages	61

3.1 Overview of types, sizes and available options

MR Rails

Product overview MR Rails



	N standard	ND standard, through hardened	NU with tapped holes at the bottom	NUD with tapped holes, through hardened	C for cover strip	CD for cover strip, through hardened
Buildsizes / Rail build forms						
Size 25	MR S 25-N	MR S 25-ND	MR S 25-NU		MR S 25-C	MR S 25-CD
Size 30	MR S 30-N		MR S 30-NU			
Size 35	MR S 35-N	MR S 35-ND	MR S 35-NU	MR S 35-NUD	MR S 35-C	
Size 45	MR S 45-N	MR S 45-ND	MR S 45-NU		MR S 45-C	
Size 55	MR S 55-N		MR S 55-NU		MR S 55-C	
Size 65	MR S 65-N		MR S 65-NU		MR S 65-C	
Size 100	MR S 100-N					
Features						
Screwable from above	●	●			●	●
Screwable from below			●	●		
Small assembly effort			●	●	●	●
Great single-part system length	●		●		●	
Usable for bombardment with metal chips				●		
For the support of metal covers		●		●		

Available options for MR Rails

Details see chapter 2

Accuracy

- G0** Highly accurate
- G1** Very accurate
- G2** Accurate
- G3** Standard

Straightness

- KC** Standard

Reference side

- R1** Ref. at bottom
- R2** Ref. on top

Coating

- CN** None
- CH** Hard chromium

Available accessories for MR Rails

Details see chapter 3.3

Plugs








Cover strips

Assembly tools

3.1 Overview of types, sizes and available options

MR Carriages


Product overview MR Carriages

							
	A standard	B standard, long	C compact, high	D compact, high, long	E compact, high, for lateral fixation	F compact	G compact, long
Buildsizes / Carriage build forms							
Size 25	MR W 25-A	MR W 25-B	MR W 25-C	MR W 25-D	MR W 25-E	MR W 25-F	MR W 25-G
Size 30	MR W 30-A	MR W 30-B	MR W 30-C	MR W 30-D		MR W 30-F	MR W 30-G
Size 35	MR W 35-A	MR W 35-B	MR W 35-C	MR W 35-D	MR W 35-E	MR W 35-F	MR W 35-G
Size 45	MR W 45-A	MR W 45-B	MR W 45-C	MR W 45-D		MR W 45-F	MR W 45-G
Size 55	MR W 55-A	MR W 55-B	MR W 55-C	MR W 55-D		MR W 55-F	MR W 55-G
Size 65	MR W 65-A	MR W 65-B	MR W 65-C	MR W 65-D			
Size 100	MR W 100-A	MR W 100-B					
Features							
Screwable from above	●	●	●	●		●	●
Screwable from below	●	●					
Screwable from the side					●		
For high loads and moments		●		●			●
For medium loads and moments	●		●		●	●	
For limited installation space						●	●




Available options for MR Carriages

Details see chapter 2



Accuracy

-  **G0** Highly accurate
-  **G1** Very accurate
-  **G2** Accurate
-  **G3** Standard



Load

-  **V1** Low
-  **V2** Medium
-  **V3** High






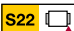
Reference side







-  **R1** Ref. at bottom
-  **R2** Ref. on top

Coating




-  **CN** None
-  **CH** Hard chromium

Lube connections

-  **S10** Left center
-  **S20** Right center
-  **S11** Top left
-  **S21** Top right
-  **S12** Lower left side
-  **S22** Lower right side

-  **S13** Upper left side
-  **S23** Upper right side
-  **S32** Left side
-  **S42** Right side
-  **S99** S10+S12+S13+S20+S22+S23 locked using threaded pins
-  **S98** S32+S33+S42+S43 locked using threaded pins

Lubrication

-  **LN** Oil protect
-  **LG** Grease protect
-  **LV** Full greasing

Available accessories for MR Carriages

Details see chapter 3.3 and 2.1

Additional wipers
Metal wiper

Bellows
Lube nipples

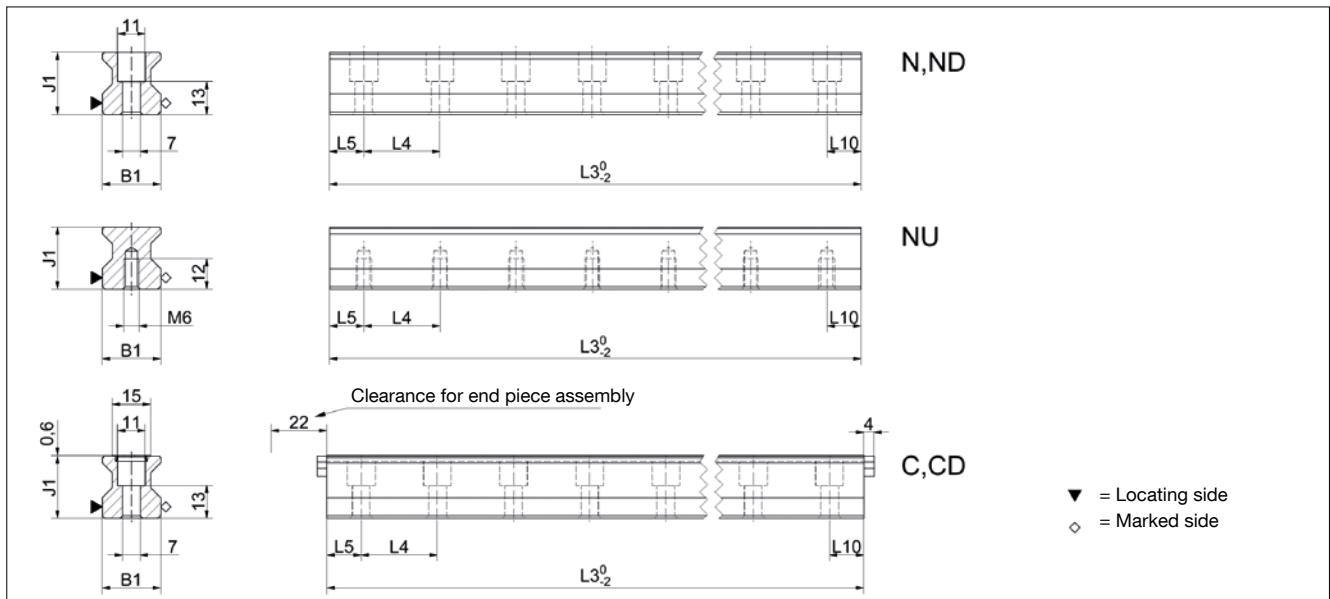
Assembly rails
Lube adapters

Lubrication plates

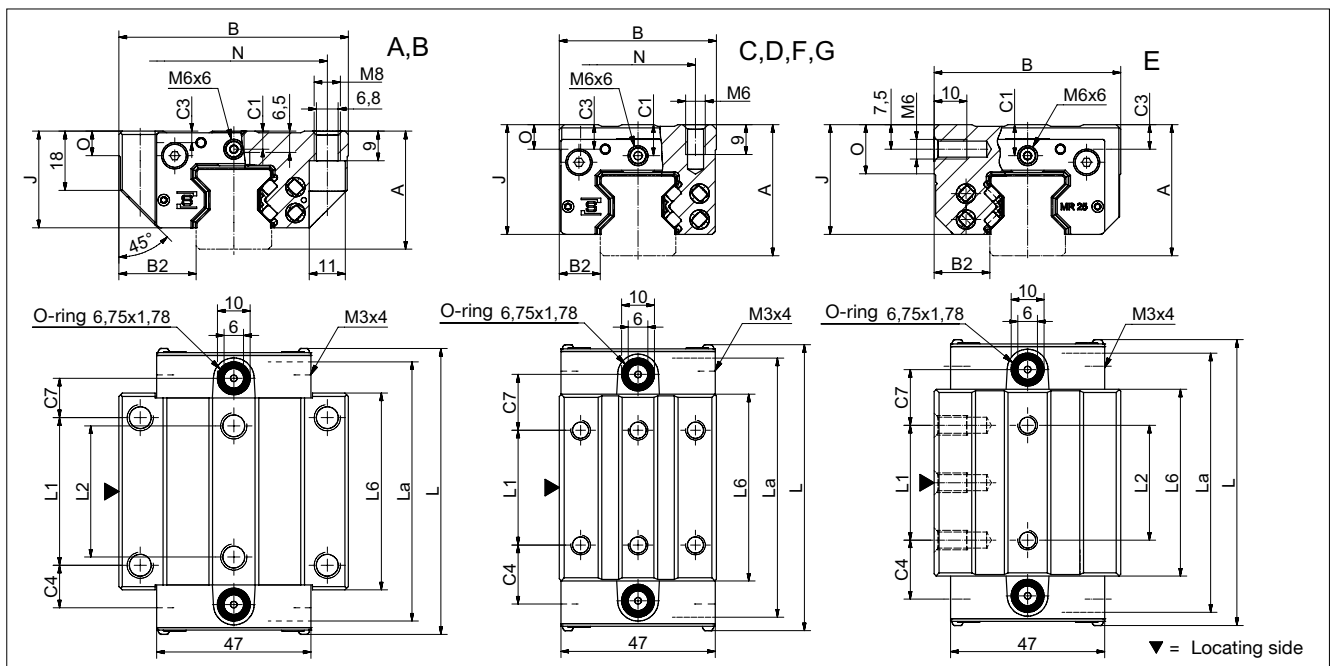
3.2 Technical data and options

MR Size 25

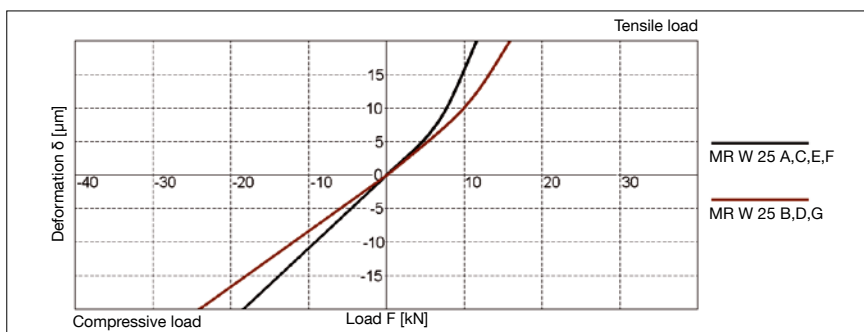
MR S 25 Drawings



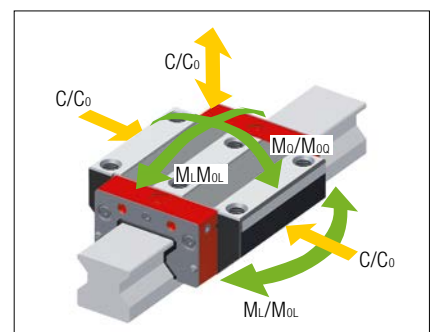
MR W 25 Drawings



MR W 25 Rigidity diagram



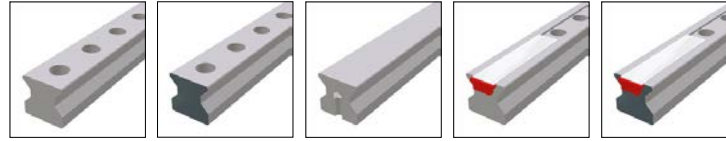
MR W 25 Load rating



3.2 Technical data and options

MR Size 25

MR S 25 Dimensions



	MR S 25-N	MR S 25-ND	MR S 25-NU	MR S 25-C	MR S 25-CD
B1: Rail width	23	23	23	23	23
J1: Rail height	24.5	24.5	24.5	24.5	24.5
L3: Rail length max.	6000	1500	6000	3000	1500
L4: Spacing of fixing holes	30	30	30	30	30
L5/L10: Position of first/last fixing hole	13.5	13.5	13.5	13.5	13.5
Gew.: Rail weight, specific (kg/m)	3.4	3.4	3.8	3.3	3.3

Available options for MR S 25



MR W 25 Dimensions and capacities



	MR W 25-A	MR W 25-B	MR W 25-C	MR W 25-D	MR W 25-E	MR W 25-F	MR W 25-G
A: System height	36	36	40	40	40	36	36
B: Carriage width	70	70	48	48	57	48	48
B2: Distance between locating faces	23.5	23.5	12.5	12.5	17	12.5	12.5
C1: Position of center front lube hole	5.5	5.5	9.5	9.5	9.5	5.5	5.5
C3: Position of lateral lube hole	3.5	3.5	7.5	7.5	7.5	3.5	3.5
C4: Position of lateral lube hole	13	24.2	18	21.7	18	18	21.7
C7: Position of top lube hole	12	23.2	17	20.7	17	17	20.7
J: Carriage height	29.5	29.5	33.5	33.5	33.5	29.5	29.5
L: Carriage length	88	110	88	110	88	88	110
La: Cross wiper spacing*	83	106	83	106	83	83	106
L1: Exterior fixing hole spacing	45	45	35	50	35	35	50
L2: Interior fixing hole spacing	40	40	-	-	35	-	-
L6: Steel body length	60	79.4	57	79.4	57	57	79.4
N: Lateral fixing hole spacing	57	57	35	35	-	35	35
O: Reference face height	7.5	7.5	7.5	7.5	15	7.5	7.5
Capacities and weights							
C0: Static load capacity (N)	49800	70300	49800	70300	49800	49800	70300
C100: Dynamic load capacity (N)	27700	39100	27700	39100	27700	27700	39100
MOQ: Static cross moment capacity (Nm)	733	1035	733	1035	733	733	1035
MOL: Static longitud. moment capacity (Nm)	476	936	476	936	476	476	936
MQ: Dyn. cross moment capacity (Nm)	408	576	408	576	408	408	576
ML: Dyn. longitud. moment capacity (Nm)	265	521	265	521	265	265	521
Gew: Carriage weight (kg)	0.7	0.9	0.6	0.7	0.7	0.5	0.6

Note: *Required to determine the rail length from the projected travel distance

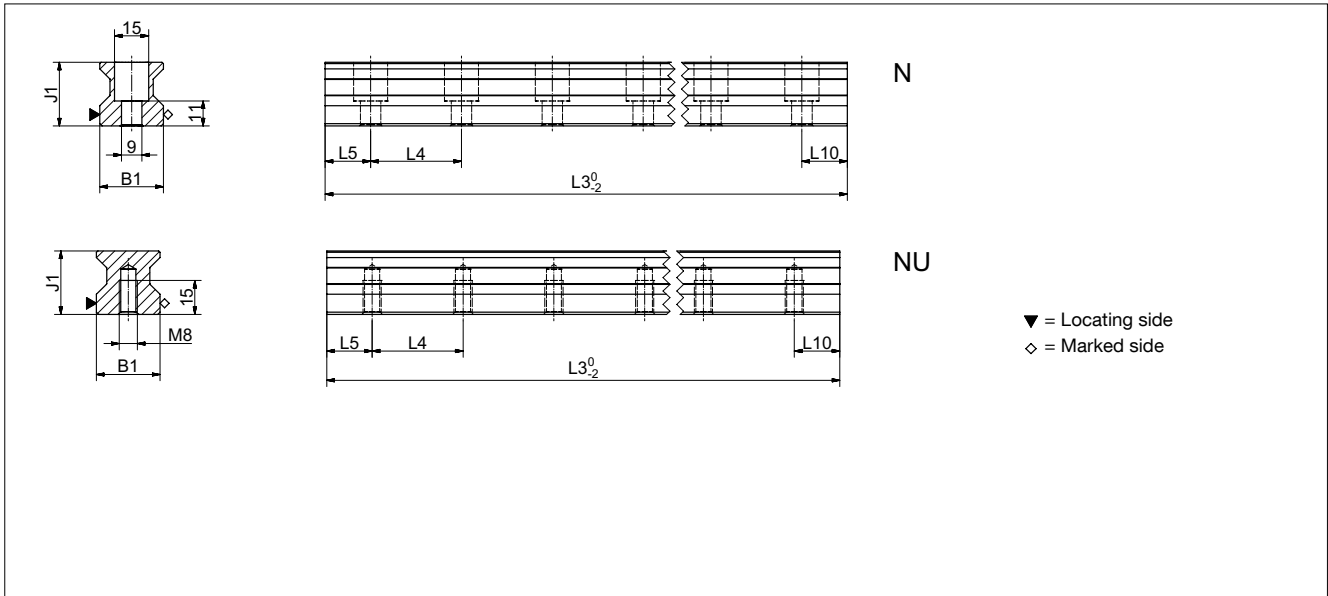
Available options for MR W 25



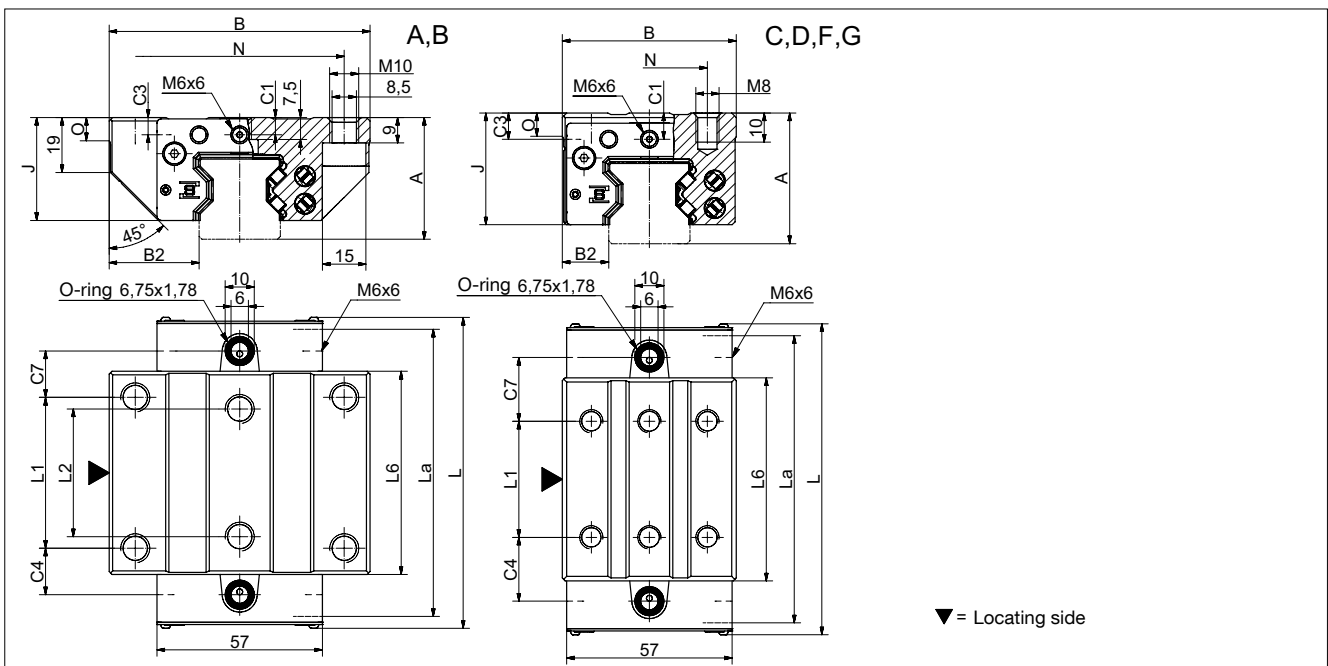
3.2 Technical data and options

MR Size 30

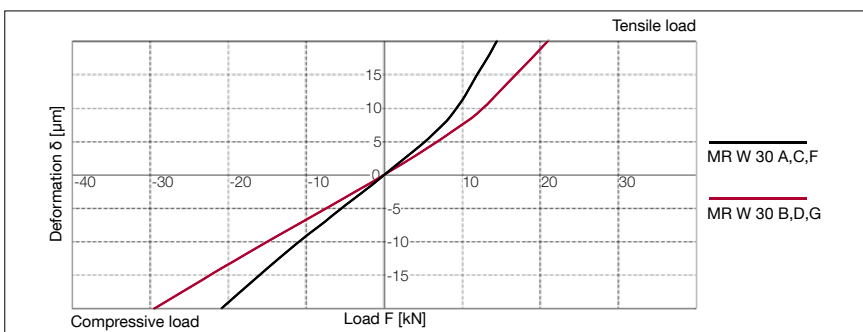
MR S 30 Drawings



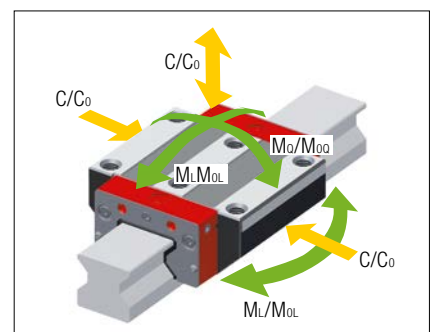
MR W 30 Drawings



MR W 30 Rigidity diagram



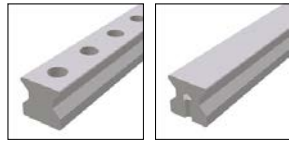
MR W 30 Load rating



3.2 Technical data and options

MR Size 30

MR S 30 Dimensions

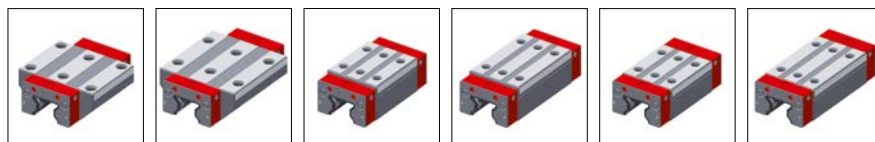


	MR S 30-N	MR S 30-NU			
B1: Rail width	28	28			
J1: Rail height	28	28			
L3: Rail length max.	6000	6000			
L4: Spacing of fixing holes	40	40			
L5/L10: Position of first/last fixing hole	18.5	18.5			
Gew.: Rail weight, specific (kg/m)	4.6	5.2			

Available options for MR S 30



MR W 30 Dimensions and capacities



	MR W 30-A	MR W 30-B	MR W 30-C	MR W 30-D	MR W 30-F	MR W 30-G	
A: System height	42	42	45	45	42	42	
B: Carriage width	90	90	60	60	60	60	
B2: Distance between locating faces	31	31	16	16	16	16	
C1: Position of center front lube hole	6	6	9	9	6	6	
C3: Position of lateral lube hole	6	6	9	9	6	6	
C4: Position of lateral lube hole	16	26.5	22	22.5	22	22.5	
C7: Position of top lube hole	16	26.5	22	22.5	22	22.5	
J: Carriage height	35.5	35.5	38.5	38.5	35.5	35.5	
L: Carriage length	108	129	108	129	108	129	
La: Cross wiper spacing*	103	124	103	124	103	124	
L1: Exterior fixing hole spacing	52	52	40	60	40	60	
L2: Interior fixing hole spacing	44	44	-	-	-	-	
L6: Steel body length	70	91	70	91	70	91	
N: Lateral fixing hole spacing	72	72	40	40	40	40	
O: Reference face height	8	8	8	8	8	8	
Capacities and weights							
C0: Static load capacity (N)	74900	98500	74900	98500	74900	98500	
C100: Dynamic load capacity (N)	39500	48900	39500	48900	39500	48900	
MOQ: Static cross moment capacity (Nm)	1332	1751	1332	1751	1332	1751	
MOL: Static longitud. moment capacity (Nm)	966	1614	966	1614	966	1614	
MQ: Dyn. cross moment capacity (Nm)	702	869	702	869	702	869	
ML: Dyn. longitud. moment capacity (Nm)	510	801	510	801	510	801	
Gew: Carriage weight (kg)	1.1	1.5	0.9	1.2	0.8	1.0	

Note: *Required to determine the rail length from the projected travel distance

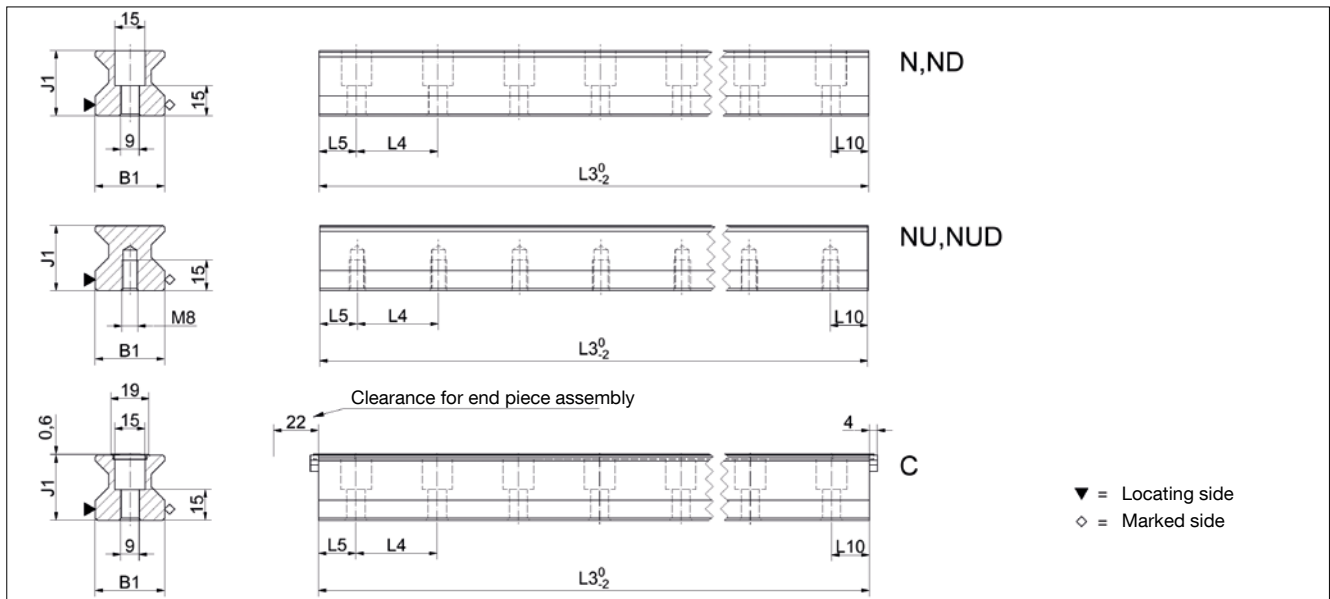
Available options for MR W 30



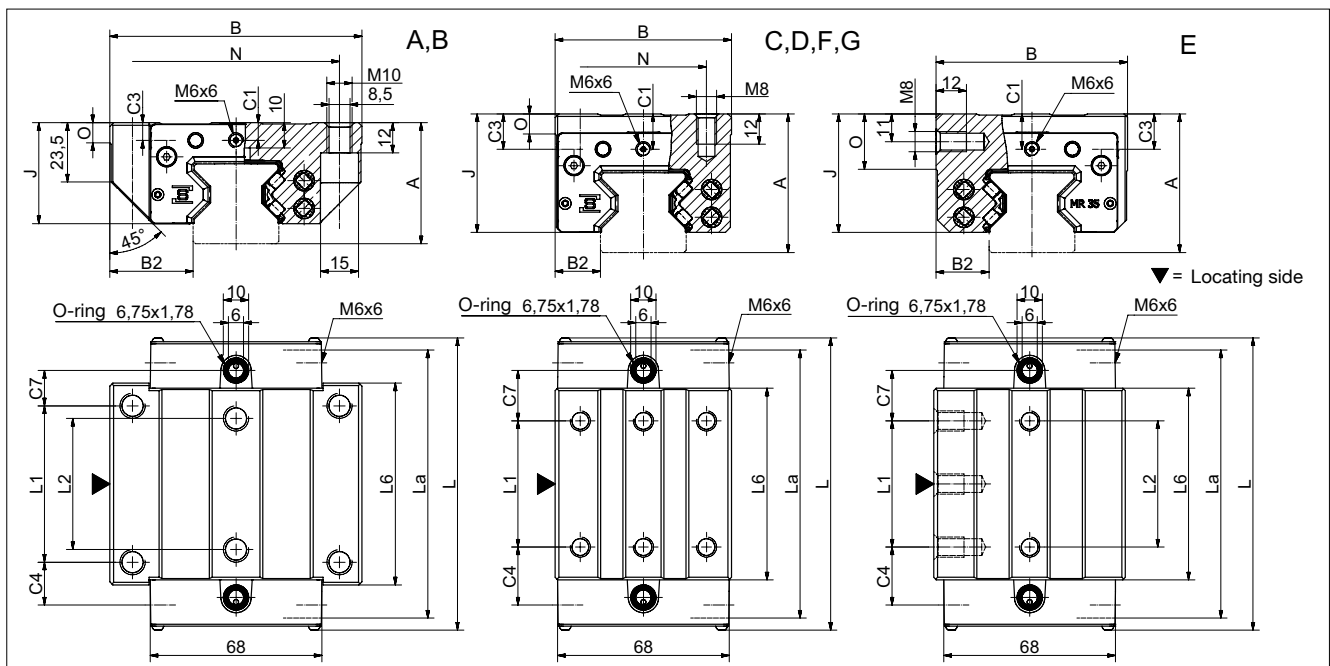
3.2 Technical data and options

MR Size 35

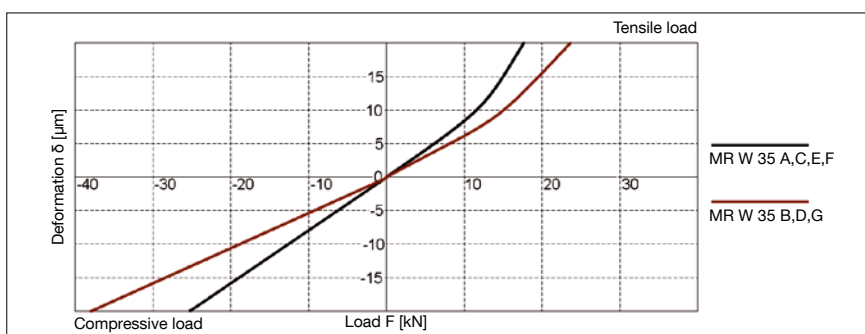
MR S 35 Drawings



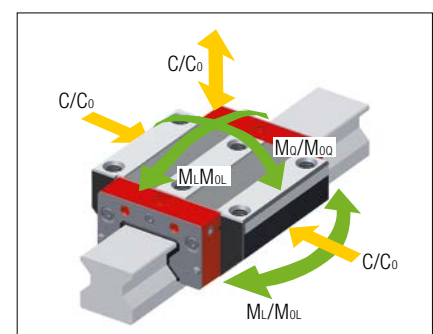
MR W 35 Drawings



MR W 35 Rigidity diagram



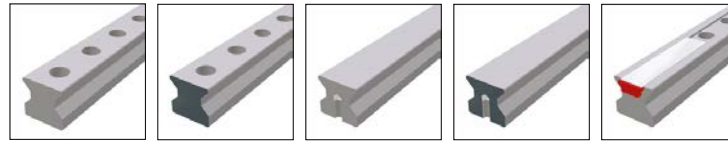
MR W 35 Load rating



3.2 Technical data and options

MR Size 35

MR S 35 Dimensions



	MR S 35-N	MR S 35-ND	MR S 35-NU	MR S 35-NUD	MR S 35-C
B1: Rail width	34	34	34	34	34
J1: Rail height	32	32	32	32	32
L3: Rail length max.	6000	1500	6000	1500	6000
L4: Spacing of fixing holes	40	40	40	40	40
L5/L10: Position of first/last fixing hole	18.5	18.5	18.5	18.5	18.5
Gew.: Rail weight, specific (kg/m)	6.5	6.5	7.1	7.1	6.3

Available options for MR S 35



MR W 35 Dimensions and capacities



	MR W 35-A	MR W 35-B	MR W 35-C	MR W 35-D	MR W 35-E	MR W 35-F	MR W 35-G
A: System height	48	48	55	55	55	48	48
B: Carriage width	100	100	70	70	76	70	70
B2: Distance between locating faces	33	33	18	18	21	18	18
C1: Position of center front lube hole	7	7	14	14	14	7	7
C3: Position of lateral lube hole	7	7	14	14	14	7	7
C4: Position of lateral lube hole	17	30.5	23	25.5	23	23	25.5
C7: Position of top lube hole	14	27.5	20	22.5	20	20	22.5
J: Carriage height	40	40	47	47	47	40	40
L: Carriage length	116	143	116	143	116	116	143
La: Cross wiper spacing*	111	138	111	138	111	111	138
L1: Exterior fixing hole spacing	62	62	50	72	50	50	72
L2: Interior fixing hole spacing	52	52	-	-	50	-	-
L6: Steel body length	80	103	76	103	76	76	103
N: Lateral fixing hole spacing	82	82	50	50	-	50	50
O: Reference face height	8	8	8	8	22	8	8
Capacities and weights							
C0: Static load capacity (N)	93400	128500	93400	128500	93400	93400	128500
C100: Dynamic load capacity (N)	52000	71500	52000	71500	52000	52000	71500
MOQ: Static cross moment capacity (Nm)	2008	2762	2008	2762	2008	2008	2762
MOL: Static longitud. moment capacity (Nm)	1189	2214	1189	2214	1189	1189	2214
MQ: Dyn. cross moment capacity (Nm)	1118	1537	1118	1537	1118	1118	1537
ML: Dyn. longitud. moment capacity (Nm)	662	1232	662	1232	662	662	1232
Gew: Carriage weight (kg)	1.6	2.2	1.5	2.0	1.8	1.8	1.6

Note: *Required to determine the rail length from the projected travel distance

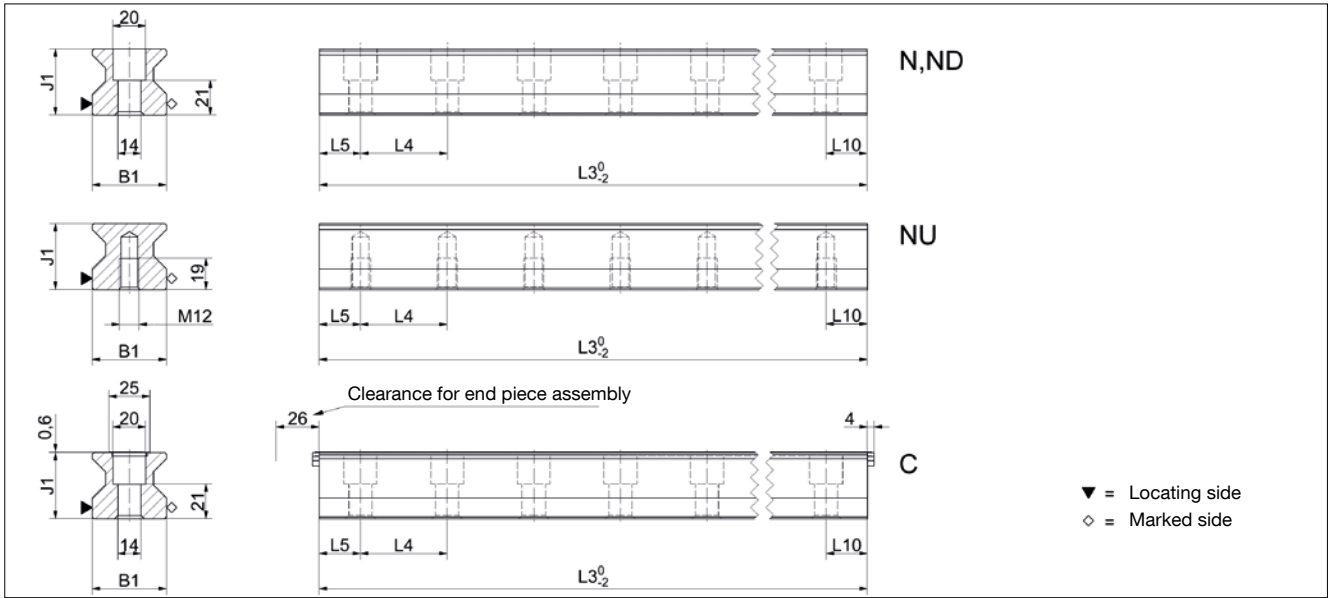
Available options for MR W 35



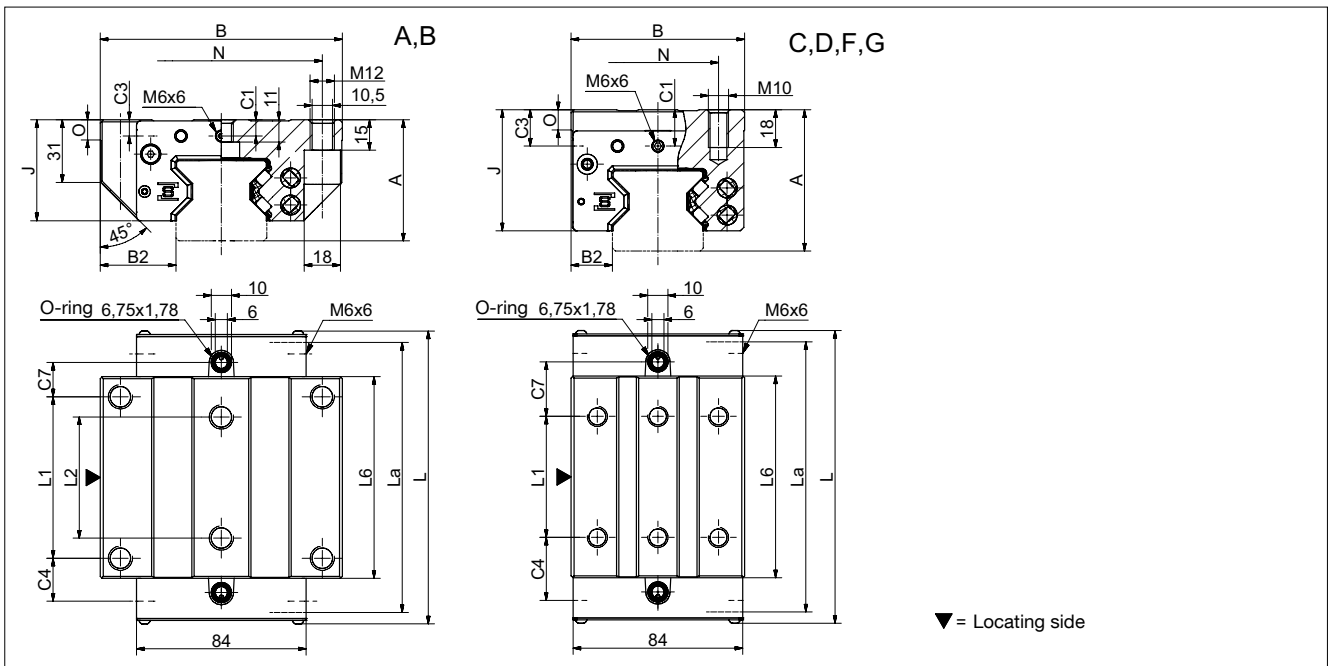
3.2 Technical data and options

MR Size 45

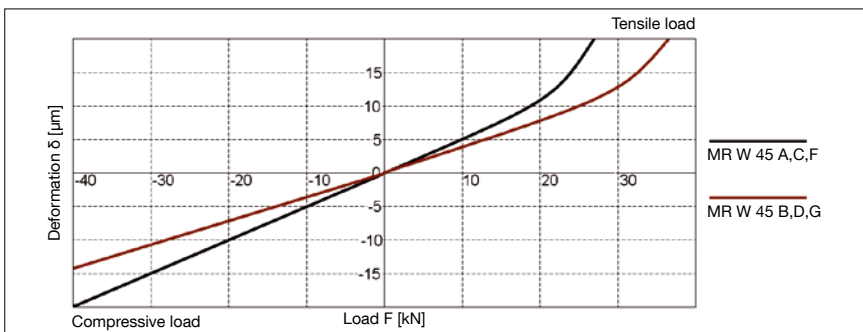
MR S 45 Drawings



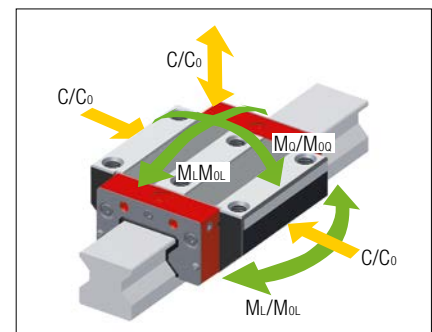
MR W 45 Drawings



MR W 45 Rigidity diagram



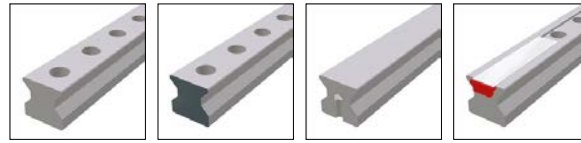
MR W 45 Load rating



3.2 Technical data and options

MR Size 45

MR S 45 Dimensions

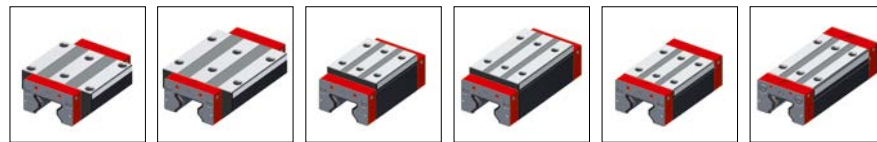


	MR S 45-N	MR S 45-ND	MR S 45-NU	MR S 45-C
B1: Rail width	45	45	45	45
J1: Rail height	40	40	40	40
L3: Rail length max.	6000	1500	6000	6000
L4: Spacing of fixing holes	52.5	52.5	52.5	52.5
L5/L10: Position of first/last fixing hole	25	25	25	25
Gew.: Rail weight, specific (kg/m)	10.8	10.8	11.8	10.6

Available options for MR S 45



MR W 45 Dimensions and capacities



	MR W 45-A	MR W 45-B	MR W 45-C	MR W 45-D	MR W 45-F	MR W 45-G
A: System height	60	60	70	70	60	60
B: Carriage width	120	120	86	86	86	86
B2: Distance between locating faces	37.5	37.5	20.5	20.5	20.5	20.5
C1: Position of center front lube hole	8	8	18	18	8	8
C3: Position of lateral lube hole	8	8	18	18	8	8
C4: Position of lateral lube hole	21.25	38.75	31.25	38.75	31.25	38.75
C7: Position of top lube hole	17	34.5	27	34.5	27	34.5
J: Carriage height	50	50	60	60	50	50
L: Carriage length	145	180	145	180	145	180
La: Cross wiper spacing*	140	175	140	175	140	175
L1: Exterior fixing hole spacing	80	80	60	80	60	80
L2: Interior fixing hole spacing	60	60	-	-	-	-
L6: Steel body length	100	135	100	135	100	135
N: Lateral fixing hole spacing	100	100	60	60	60	60
O: Reference face height	10	10	10	10	10	10
Capacities and weights						
C0: Static load capacity (N)	167500	229500	167500	229500	167500	229500
C100: Dynamic load capacity (N)	93400	127800	93400	127800	93400	127800
MOQ: Static cross moment capacity (Nm)	4621	6333	4621	6333	4621	6333
MOL: Static longitud. moment capacity (Nm)	2790	5161	2790	5161	2790	5161
MQ: Dyn. cross moment capacity (Nm)	2577	3527	2577	3527	2577	3527
ML: Dyn. longitud. moment capacity (Nm)	1556	2874	1556	2874	1556	2874
Gew.: Carriage weight (kg)	3.2	4.3	3.0	4.0	2.3	3.1

Note: *Required to determine the rail length from the projected travel distance

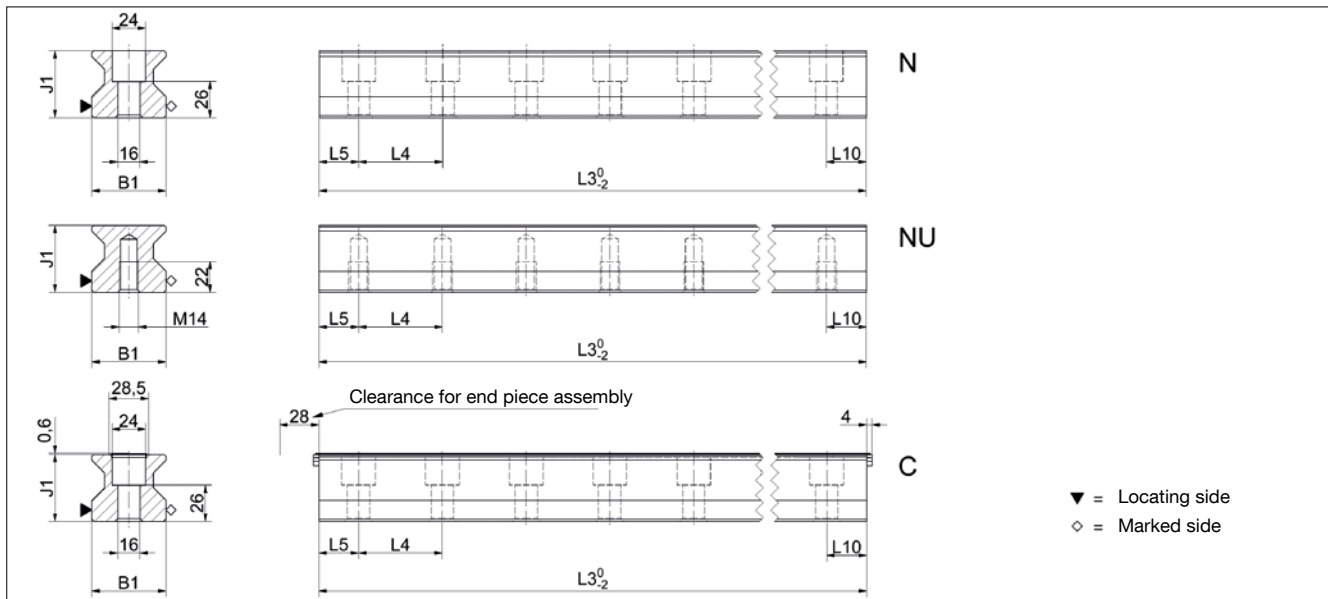
Available options for MR W 45



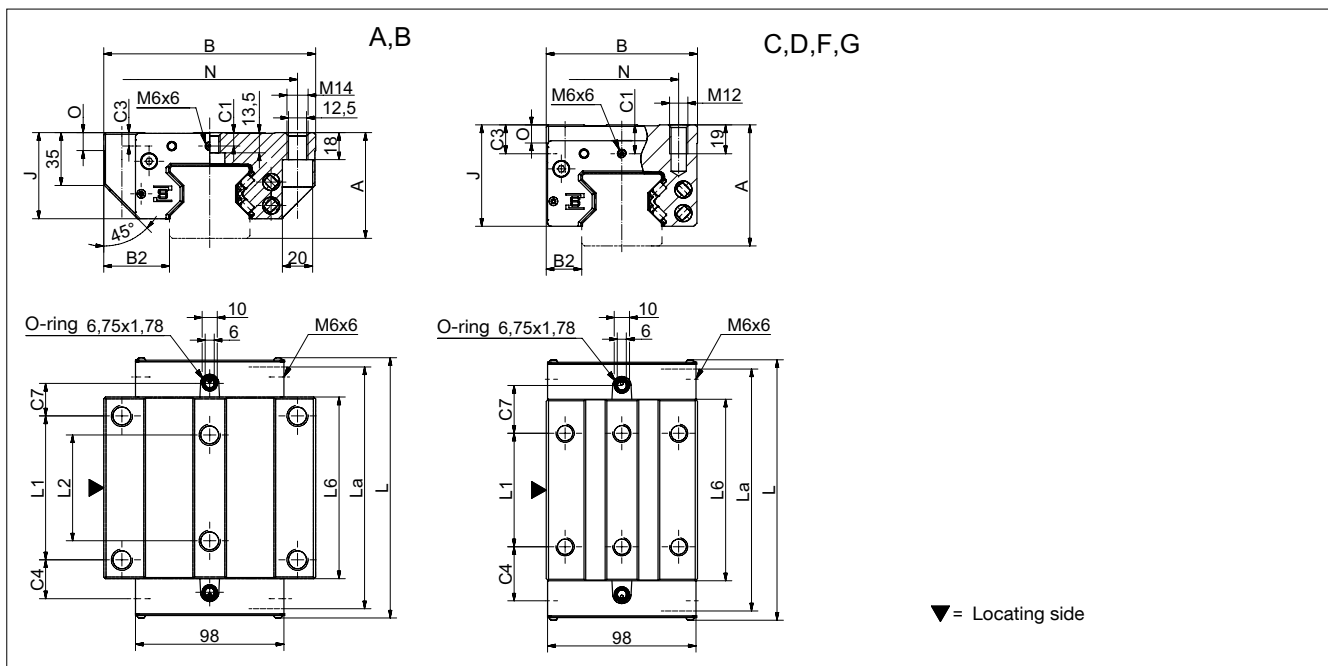
3.2 Technical data and options

MR Size 55

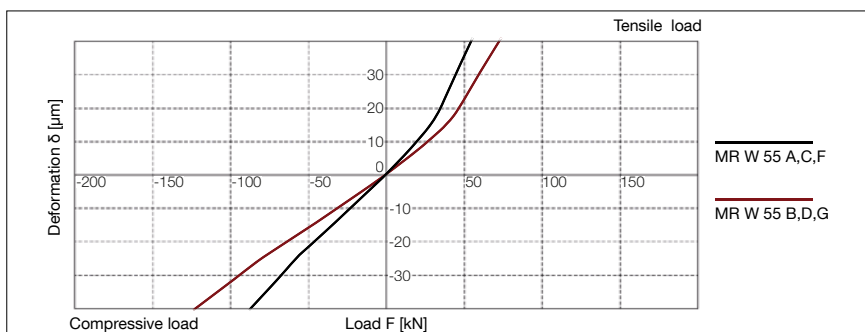
MR S 55 Drawings



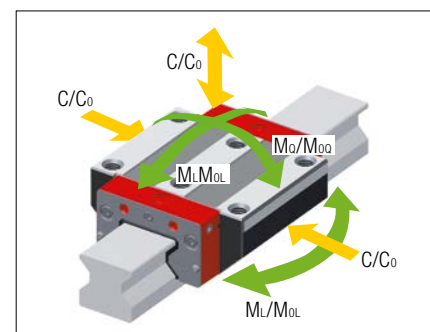
MR W 55 Drawings



MR W 55 Rigidity diagram



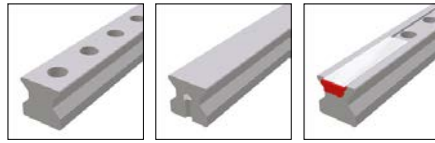
MR W 55 Load rating



3.2 Technical data and options

MR Size 55

MR S 55 Dimensions

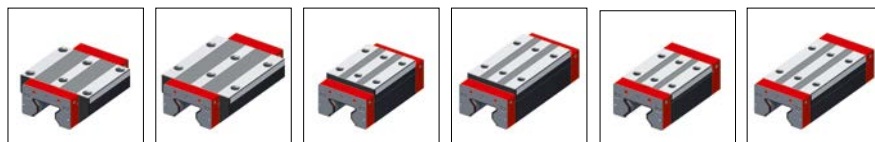


	MR S 55-N	MR S 55-NU	MR S 55-C			
B1: Rail width	53	53	53			
J1: Rail height	48	48	48			
L3: Rail length max.	6000	6000	6000			
L4: Spacing of fixing holes	60	60	60			
L5/L10: Position of first/last fixing hole	28.5	28.5	28.5			
Gew.: Rail weight, specific (kg/m)	15.2	16.6	14.9			

Available options for MR S 55



MR W 55 Dimensions and capacities



	MR W 55-A	MR W 55-B	MR W 55-C	MR W 55-D	MR W 55-F	MR W 55-G	
A: System height	70	70	80	80	70	70	
B: Carriage width	140	140	100	100	100	100	
B2: Distance between locating faces	43.5	43.5	23.5	23.5	23.5	23.5	
C1: Position of center front lube hole	9	9	19	19	9	9	
C3: Position of lateral lube hole	9	9	19	19	9	9	
C4: Position of lateral lube hole	25.75	46.75	35.75	46.75	35.75	46.75	
C7: Position of top lube hole	21.5	42.5	31.5	42.5	31.5	42.5	
J: Carriage height	57	57	67	67	57	57	
L: Carriage length	172	214	172	214	172	214	
La: Cross wiper spacing*	167	208	167	208	167	208	
L1: Exterior fixing hole spacing	95	95	75	95	75	95	
L2: Interior fixing hole spacing	70	70	-	-	-	-	
L6: Steel body length	120	162	120	162	120	162	
N: Lateral fixing hole spacing	116	116	75	75	75	75	
O: Reference face height	12	12	12	12	12	12	
Capacities and weights							
C0: Static load capacity (N)	237000	324000	237000	324000	237000	324000	
C100: Dynamic load capacity (N)	131900	180500	131900	180500	131900	180500	
MOQ: Static cross moment capacity (Nm)	7771	10624	7771	10624	7771	10624	
MOL: Static longitud. moment capacity (Nm)	4738	8745	4738	8745	4738	8745	
MQ: Dyn. cross moment capacity (Nm)	4325	5919	4325	5919	4325	5919	
ML: Dyn. longitud. moment capacity (Nm)	2637	4872	2637	4872	2637	4872	
Gew: Carriage weight (kg)	5.0	6.8	4.5	6.1	3.7	4.8	

Note: *Required to determine the rail length from the projected travel distance

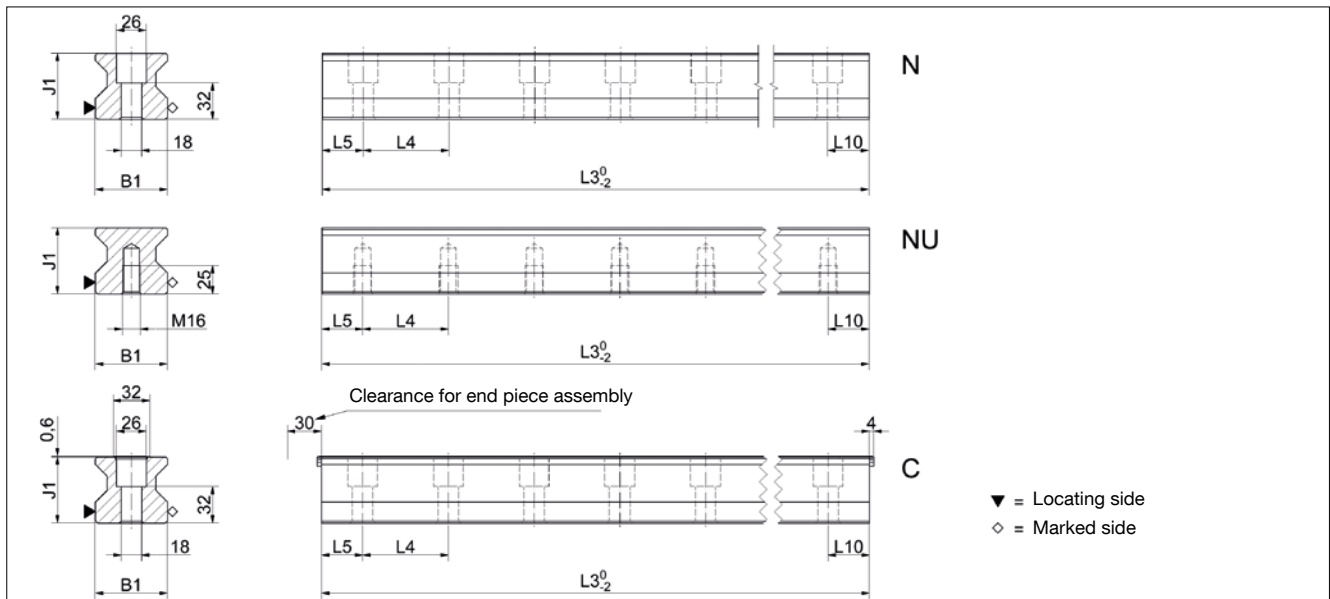
Available options for MR W 55



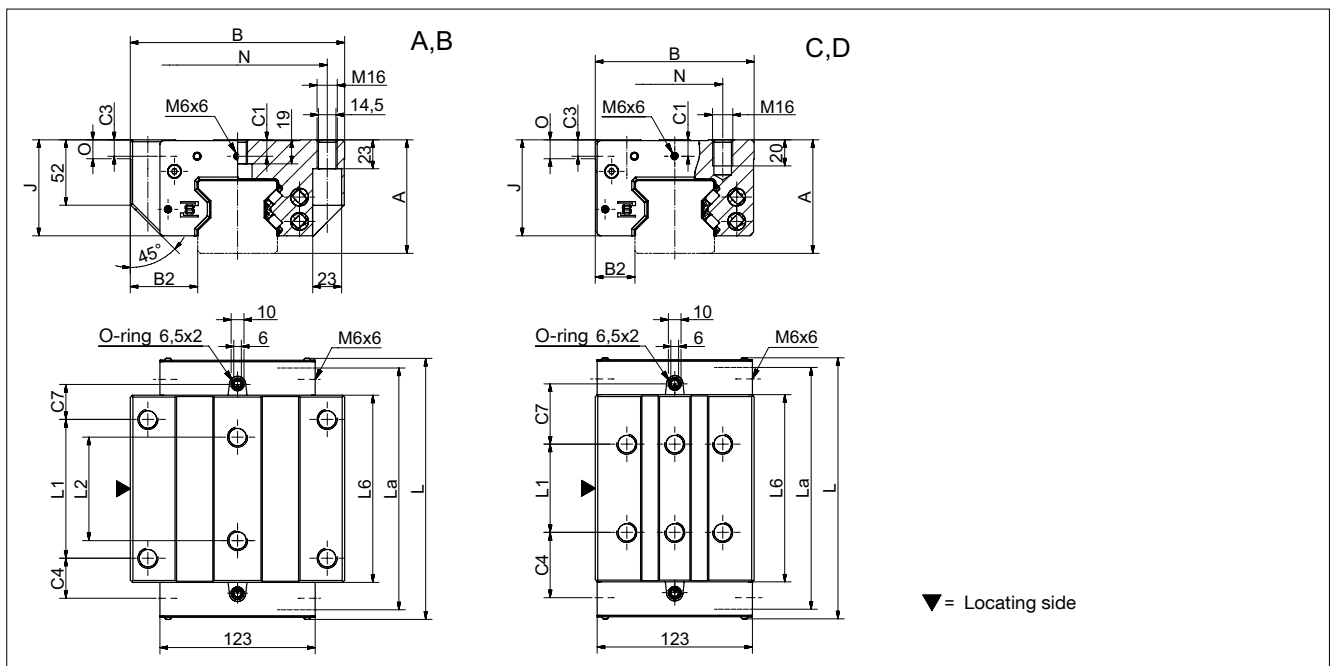
3.2 Technical data and options

MR Size 65

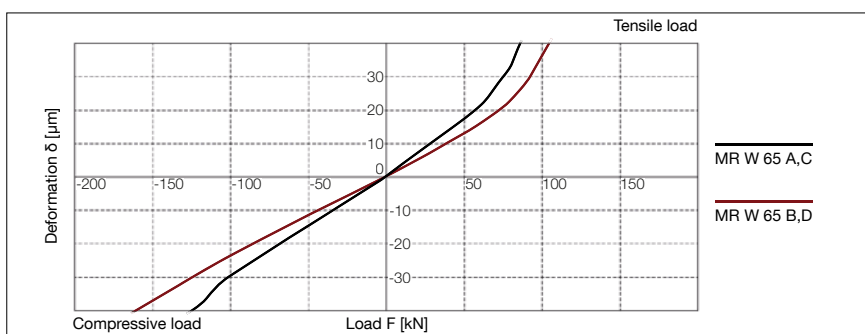
MR S 65 Drawings



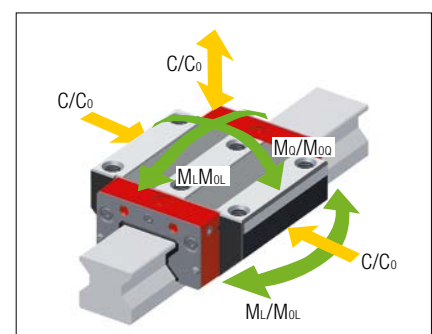
MR W 65 Drawings



MR W 65 Rigidity diagram



MR W 65 Load rating



3.2 Technical data and options

MR Size 65

MR S 65 Dimensions

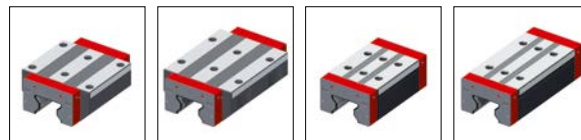


	MR S 65-N	MR S 65-NU	MR S 65-C			
B1: Rail width	63	63	63			
J1: Rail height	58	58	58			
L3: Rail length max.	6000	6000	6000			
L4: Spacing of fixing holes	75	75	75			
L5/L10: Position of first/last fixing hole	36	36	36			
Gew.: Rail weight, specific (kg/m)	22.8	24.5	22.5			

Available options for MR S 65



MR W 65 Dimensions and capacities



	MR W 65-A	MR W 65-B	MR W 65-C	MR W 65-D			
A: System height	90	90	90	90			
B: Carriage width	170	170	126	126			
B2: Distance between locating faces	53.5	53.5	31.5	31.5			
C1: Position of center front lube hole	13	13	13	13			
C3: Position of lateral lube hole	13	13	13	13			
C4: Position of lateral lube hole	31.75	58	51.75	53			
C7: Position of top lube hole	27.75	54	47.75	49			
J: Carriage height	76	76	76	76			
L: Carriage length	207	260	207	260			
La: Cross wiper spacing*	201.5	254	201.5	254			
L1: Exterior fixing hole spacing	110	110	70	120			
L2: Interior fixing hole spacing	82	82	-	-			
L6: Steel body length	148.5	201	148.5	201			
N: Lateral fixing hole spacing	142	142	76	76			
O: Reference face height	15	15	15	15			
Capacities and weights							
C0: Static load capacity (N)	419000	530000	419000	530000			
C100: Dynamic load capacity (N)	232000	295000	232000	295000			
MOQ: Static cross moment capacity (Nm)	16446	20912	16446	20912			
MOL: Static longitud. moment capacity (Nm)	10754	17930	10754	17930			
MQ: Dyn. cross moment capacity (Nm)	9154	11640	9154	11640			
ML: Dyn. longitud. moment capacity (Nm)	5954	9980	5954	9980			
Gew: Carriage weight (kg)	10.2	13.5	8.0	10.4			

Note: *Required to determine the rail length from the projected travel distance

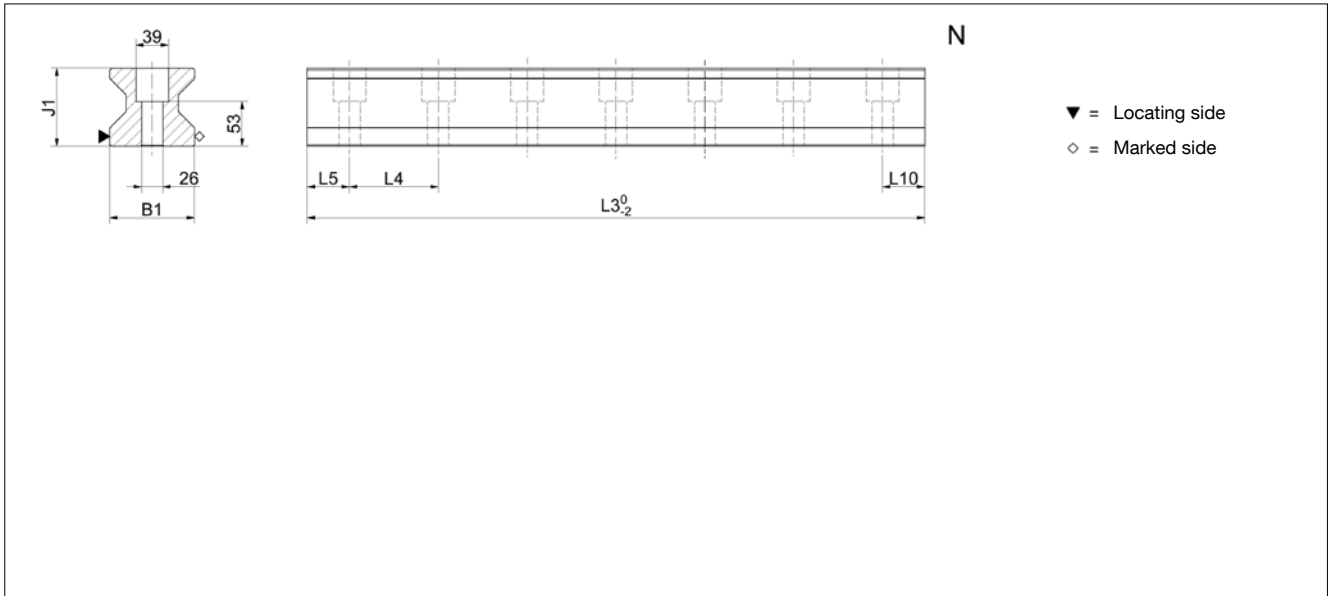
Available options for MR W 65



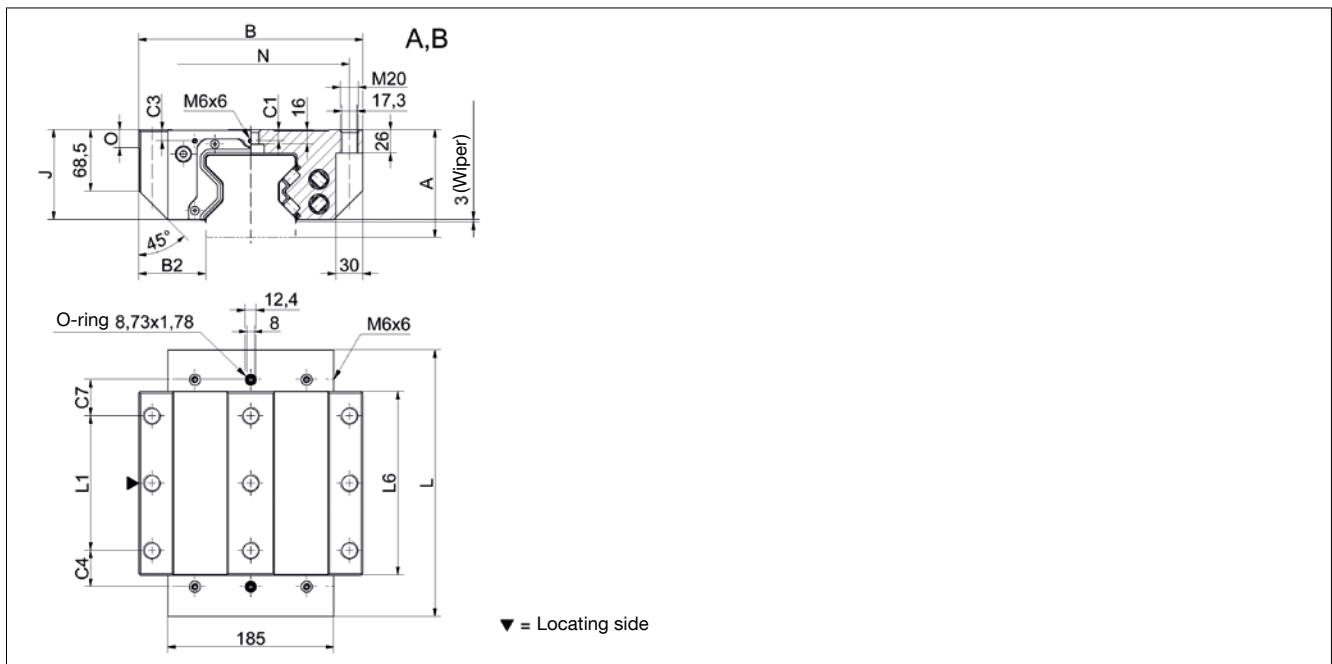
3.2 Technical data and options

MR Size 100

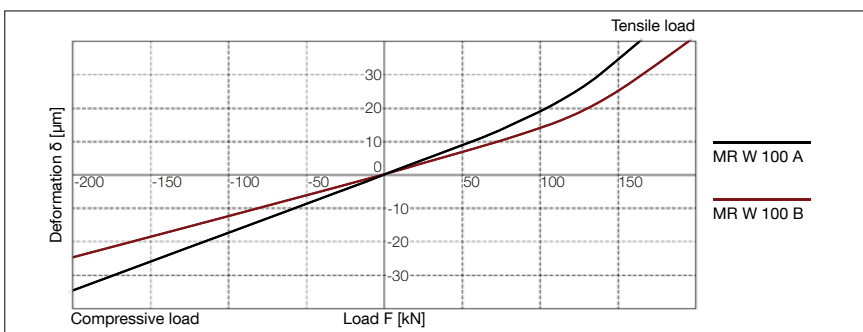
MR S 100 Drawings



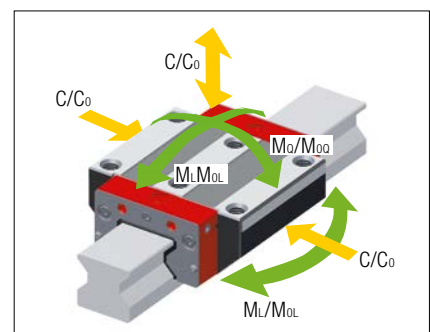
MR W 100 Drawings



MR W 100 Rigidity diagram



MR W 100 Load rating



3.2 Technical data and options

MR Size 100

MR S 100 Dimensions

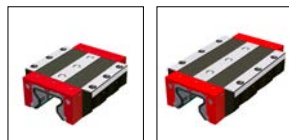


	MR S 100-N			
B1: Rail width	100			
J1: Rail height	92			
L3: Rail length max.	3000			
L4: Spacing of fixing holes	105			
L5/L10: Position of first/last fixing hole	51			
Gew.: Rail weight, specific (kg/m)	55.3			

Available options for MR S 100



MR W 100 Dimensions and capacities

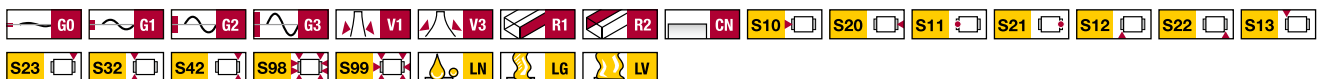


	MR W 100-A	MR W 100-B		
A: System height	120	120		
B: Carriage width	250	250		
B2: Distance between locating faces	75	75		
C1: Position of center front lube hole	12.5	12.5		
C3: Position of lateral lube hole	12.5	12.5		
C4: Position of lateral lube hole	40.3	67		
C7: Position of top lube hole	40.3	67		
J: Carriage height	100	100		
L: Carriage length	296.5	400		
L1: Exterior fixing hole spacing	150	200		
L2: Interior fixing hole spacing	-	-		
L6: Steel body length	204.5	308		
N: Lateral fixing hole spacing	220	220		
O: Reference face height	20	20		

Capacities and weights

C0: Static load capacity (N)	976610	1470000		
C100: Dynamic load capacity (N)	401115	605000		
MOQ: Static cross moment capacity (Nm)	60645	91471		
MOL: Static longitud. moment capacity (Nm)	26143	39432		
MQ: Dyn. cross moment capacity (Nm)	24959	37646		
ML: Dyn. longitud. moment capacity (Nm)	10759	16229		
Gew: Carriage weight (kg)	27.0	40.0		

Available options for MR W 100



MR Rails accessories overview

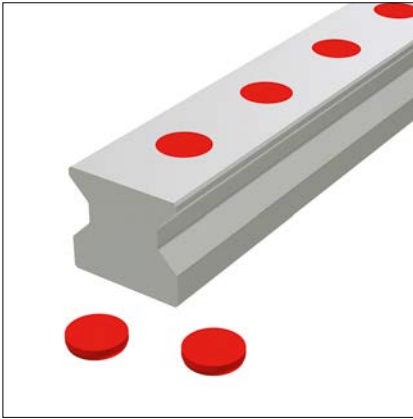
Accessories	MR S 25	MR S 30	MR S 35	MR S 45	MR S 55	MR S 65	MR S 100
Plugs:							
Plastic plugs	MRK 25	MRK 30	MRK 35	MRK 45	MRK 55	MRK 65	MRK 100
Brass plugs	MRS 25	MRS 30	MRS 35	MRS 45	MRS 55	MRS 65	MRS 100
Steel plugs	MRZ 25	MRZ 30	MRZ 35	MRZ 45	MRZ 55	MRZ 65	MRZ 100
Cover strips:							
Cover strip (spare part)	MAC 25	-	MAC 35	MAC 45	MAC 55	MAC 65	-
Securing band for cover strip (spare part)	BSC 25-MAC	-	BSC 35-MAC	BSC 45-MAC	BSC 55-MAC	BSC 65-MAC	-
End piece for cover strip (spare part)	EST 25-MAC	-	EST 35-MAC	EST 45-MAC	EST 55-MAC	EST 65-MAC	-
Assembly tools:							
Installation tool for steel plugs	MWH 25	MWH 30	MWH 35	MWH 45	MWH 55	MWH 65	MWH 100
Hydraulic cylinder for MWH	MZH	MZH	MZH	MZH	MZH	MZH	MZH
Installation tool for cover strip	MWC 25	-	MWC 35	MWC 45	MWC 55	MWC 65	-

MR Carriages accessories overview

Accessories	MR W 25	MR W 30	MR W 35	MR W 45	MR W 55	MR W 65	MR W 100
Additional wipers:							
Additional wipers Viton	ZCV 25	ZCV 30	ZCV 35	ZCV 45	ZCV 55	ZCV 65	ZCV 100
Metal wiper	ASM 25	ASM 30	ASM 35	ASM 45	ASM 55	ASM 65	ASM 100
Bellows:							
Bellows	FBM 25	-	FBM 35	FBM 45	FBM 55	FBM 65	-
Adapter plate for bellows (spare part)	ZPL 25	-	ZPL 35	ZPL 45	ZPL 55	ZPL 65	-
End plate for bellows (spare part)	EPL 25	-	EPL 35	EPL 45	EPL 55	EPL 65	-
Assembly rails:							
Assembly rail	MRM 25	MRM 30	MRM 35	MRM 45	MRM 55	MRM 65	MRM 100
Lubrication plates:							
Lubrication plate	SPL 25-MR	-	SPL 35-MR	SPL 45-MR	SPL 55-MR	SPL 65-MR	-
Front plates:							
Cross wiper (spare part)	QAS 25-STR	QAS 30-STR	QAS 35-STR	QAS 45-STR	QAS 55-STR	QAS 65-STR	QAS 100-STR
Lube nipples:							
Hydraulic-type grease nipple straight	SN 6	SN 6	SN 6	SN 6	SN 6	SN 6	SN 6
Hydraulic-type grease nipple 45°	SN 6-45	SN 6-45	SN 6-45	SN 6-45	SN 6-45	SN 6-45	SN 6-45
Hydraulic-type grease nipple 90°	SN 6-90	SN 6-90	SN 6-90	SN 6-90	SN 6-90	SN 6-90	SN 6-90
Flush type grease nipple M3	SN 3-T	-	-	-	-	-	-
Flush type grease nipple M6	SN 6-T	SN 6-T	SN 6-T	SN 6-T	SN 6-T	SN 6-T	SN 6-T
Grease gun for SN 3-T und SN 6-T	SFP-T3	SFP-T3	SFP-T3	SFP-T3	SFP-T3	SFP-T3	SFP-T3
Lube adapters:							
Lubrication adapter M8 round-head	SA 6-RD-M8	SA 6-RD-M8	SA 6-RD-M8	SA 6-RD-M8	SA 6-RD-M8	SA 6-RD-M8	SA 6-RD-M8
Lubrication adapter M8 hexagon head	-	-	SA 6-6KT-M8	SA 6-6KT-M8	SA 6-6KT-M8	SA 6-6KT-M8	SA 6-6KT-M8
Lubrication adapter G1/8 hexagon head	-	-	SA 6-6KT-G1/8	SA 6-6KT-G1/8	SA 6-6KT-G1/8	SA 6-6KT-G1/8	SA 6-6KT-G1/8
Swivel screw connection for pipe d=3 mm	SV 3-D3	-	-	-	-	-	-
Swivel screw connection for pipe d=4 mm	SV 6-D4	SV 6-D4	SV 6-D4	SV 6-D4	SV 6-D4	SV 6-D4	SV 6-D4
Swivel screw connection M6	SV 6-M6	SV 6-M6	SV 6-M6	SV 6-M6	SV 6-M6	SV 6-M6	SV 6-M6
Swivel screw connection M6 long	SV 6-M6-L	SV 6-M6-L	SV 6-M6-L	SV 6-M6-L	SV 6-M6-L	SV 6-M6-L	SV 6-M6-L
Swivel screw connection M8	SV 6-M8	SV 6-M8	SV 6-M8	SV 6-M8	SV 6-M8	SV 6-M8	SV 6-M8
Swivel screw connection M8 long	SV 6-M8-L	SV 6-M8-L	SV 6-M8-L	SV 6-M8-L	SV 6-M8-L	SV 6-M8-L	SV 6-M8-L

3.3 Accessories

MR Rails accessory details



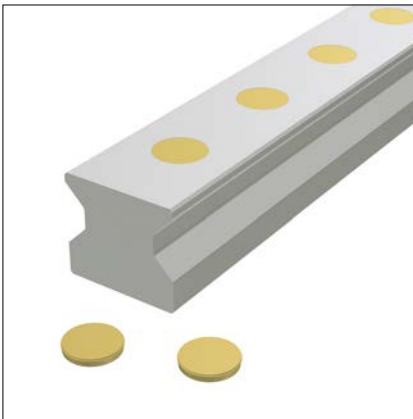
Plastic plugs

MRK plastic plugs are used as a low-cost method of closing off the rail attachment holes. They can be fitted manually with fairly simple tools. Plastic plugs are recommended for use with protected axes or in environments with low levels of contamination, e.g. handling.

Quantity supplied: Pack of 25 pcs.

Order code: **MRK xx**

xx = Size, sample order: 6 x MRK 65



Brass plugs

Brass plugs are used in applications with increased contamination or external temperature influences, e.g., in the case of chip impact or whenever a smooth and gap-free rail surface is required.

A hydraulic MWH fitting tool is recommended for correct installation.

Order code: **MRS xx**

xx = Size, sample order: 48 x MRS 65



Steel plugs

Made of stainless steel, the two-part steel plugs are suitable for applications with greater demands on the mechanical stability of rail surfaces, e.g. when mechanical loads are higher or in open chip spaces. They combine the advantages of simple and very precise installation and a high degree of mechanical stability.

Function:

The clamping ring lies loosely on the screw head in the hole in the rail. When the slightly conical plug is pressed in, the ring is expanded to establish a positive frictional connection between the plug and the hole in the rail.

When fitted, the plug is flush with the rail surface where it ensures that the wipers operate to the optimum degree and have an optimum service life.

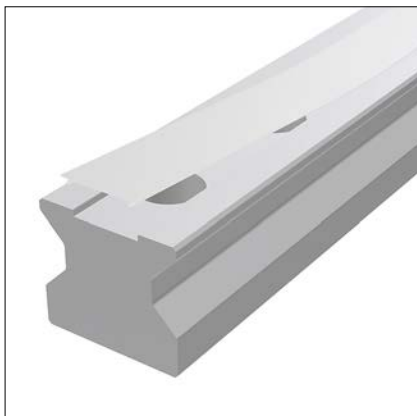
A hydraulic MWH fitting tool is necessary for correct installation.

Order code: **MRZ xx**

xx = Size, sample order: 48 x MRZ 65

3.3 Accessories

MR Rails accessory details



Cover strip (spare part)

A SCHNEEBERGER MAC cover strip combines technical functionality with simple handling and neat appearance. Made of stainless spring steel, the strip is suitable for demanding applications with increased contamination or external temperature influences.

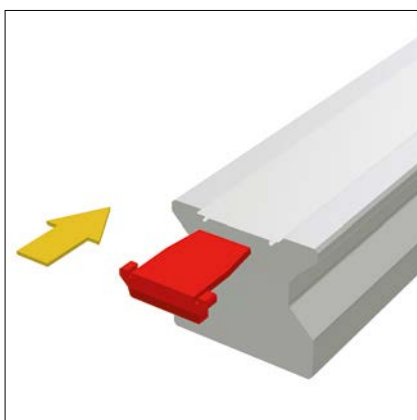
It provides the following advantages:

- Reliable fixing along the length as it is clipped into a special groove
- Additional fixing of the ends of the strips using locking parts (EST xx-MAC)
- Very robust thanks to the substantial thickness of the material
- The strip free top surface of the rail can be used to support covers
- Can be fitted and removed several times
- Protection of the wipers during installation as the rail holes are recessed in the groove
- Available in any length up to 30m

When ordering guide rails with cover strips, they are included in the scope of supply.

Order code: **MAC xx-yy**

xx = Size, yy = Rail length in mm, sample order: 1 x MAC 65-4320



End piece for cover strip (spare part)

EST end pieces are used to close the ends of MAC cover strips. To do this, these plastic parts are inserted on both ends of the rail into the gap under the cover strip. Their special design prevents the ends of the cover strip from lifting and reduces the danger of injury on the sharp edges of the cover strip.

Order code: **EST xx-MAC**

xx = Size, sample order: 2 x EST 65-MAC



Securing band for cover strip (spare part)

The BSC securing band for cover strips is used to secure the ends when mechanical loads are high. To do this, the protruding band ends are cut off at right angles and burr-free, and a fastening thread is fitted to the front face of the rail.

Securing bands are used in applications with high vibration levels, with rails in open chip spaces, with rail lengths of less than 600 mm or for vertical fitting and the subsequent risk that EST endpieces could fall out.

The securing band also covers the ends of the cover strips and reduces the risk of injury on the sharp corners of the ends.

Order code: **BSC xx-MAC**

xx = Size, order example: 2 x BSC 65-MAC

3.3 Accessories

MR Rails accessory details

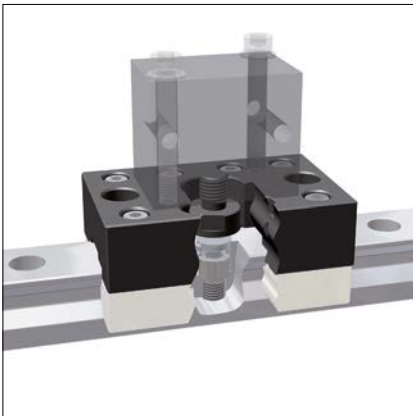


Installation tool for cover strip

A MWC fitting tool is used to simplify the fitting of an MAC cover strip. At the same time, it ensures that the cover strip sits securely in the rail groove without any gaps.

Order code: **MWC xx**

xx = Size, sample order: 1 x MWC 35

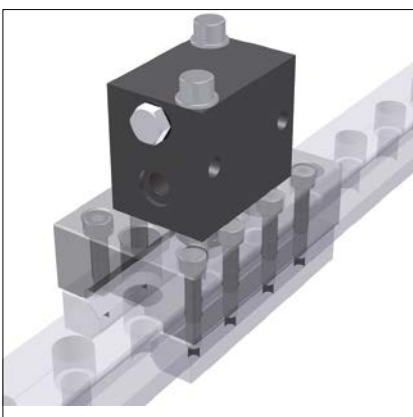


Installation tool for steel plugs MRZ and brass plugs MRS

An MWH hydraulic cylinder is a single-action block cylinder used to create the required insertion force. A standard hydraulic unit that provides the pressure required for the insertion process is connected to the 1/4" threaded connection. The hydraulic cylinder fits all sizes of MWH fitting tool and must be ordered separately.

Order code: **MWH**

Sample order: 1 x MWH



Hydraulic cylinder for MWH

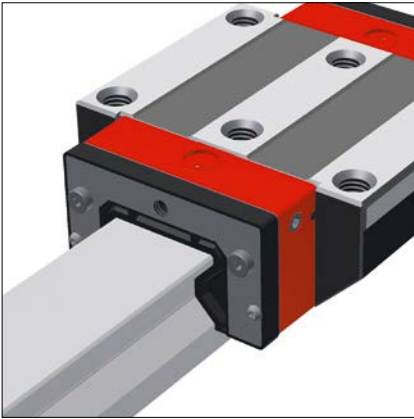
An MZH hydraulic cylinder is a single-action block cylinder used to create the required insertion force. A standard hydraulic unit that provides the pressure required for the insertion process is connected to the 1/4" threaded connection. The hydraulic cylinder fits all sizes of MWH fitting tool and must be ordered separately.

Order code: **MZH**

Sample order: 1 x MZH

3.3 Accessories

MR Carriages accessory details



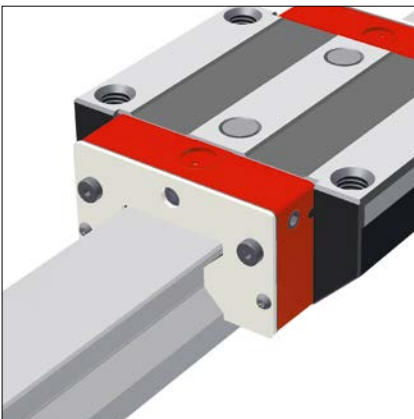
Additional wiper Viton

ZCV additional wipers provide extra protection of the carriages in heavily contaminated environments. Made of Viton® (fluoroelastomer), they are suitable for use with aggressive coolants.

As their flexibility allows them to be pushed over the rail cross section, retrofitting is possible without the need to remove the carriage from the rail. ZCV wipers can also be used in combination with ASM metal wipers.

Order code: **ZCV xx**

xx = Size, sample order: 2 x ZCV 65



Metal wiper

The ASM metal wipers made of stainless steel are used when large, loose particles of dirt on the guideway need to be removed. The radial gap between the wiper and guideway is narrower than in the MR-4S front panel and is therefore designed in such a way that the particles cannot get stuck.

The metal wipers are particularly effective when combined with additional ZCV wipers.

Order code: **ASM xx**

xx= Size, sample order: 1 x ASM 65

3.3 Accessories

MR Carriages accessory details



Bellows

Standard bellows are available for MONORAIL sizes MR 25 – MR 65, the purpose of which is to provide additional protection against dust and water splashes. The bellows are made of synthetic fabric coated on both sides with plastic. The bellows cover the entire length of the rail and their cross section matches the faceplate of the carriage. The external dimensions of the carriage are thus not exceeded by the bellows.

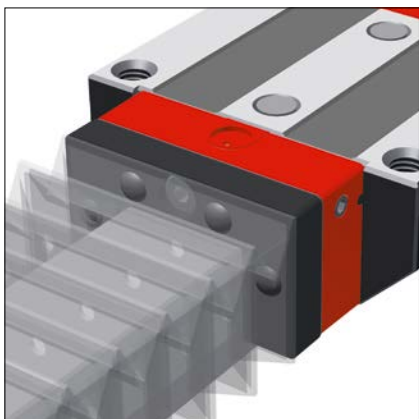
Installation is simple and takes little time. A ZPL adapter plate is required to attach the bellows to the carriage. The adapter plate is screwed to the front plate of the carriage using a central screw. An EPL end plate is screwed to the end face of the rail. The bellows are fastened by two rivets to both the adapter plate and the front plate.

Retrofitting can only be realised with induction hardened rails as the rail ends have to be drilled for the attachment of the EPL end plates.

When ordering a guideway with bellows, the fixing holes for the end plates are arranged in the rails.

Order code: **FBM xx-yy**

xx = Size, yy = Number of folds, sample order: 1 x FBM 65-137



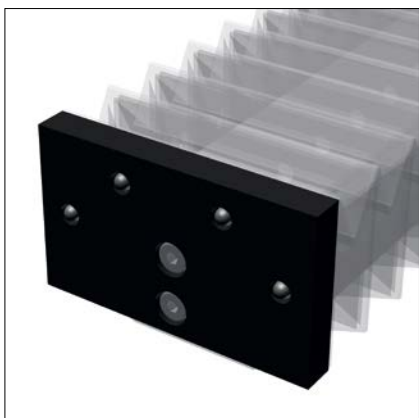
Adapter plate for bellows (spare part)

The adapter plate is used to attach the bellows to the carriage and is included with every order for bellows. It is made of black anodized aluminium. On an MR 25 size, the adapter plate is also used for a lateral lubrication connection.

The outer contour of the adapter plate corresponds to that of the carriage front plate, the bellows and the end plate. The central fastening screw is included in the scope of supply.

Order code: **ZPL xx**

XX = Size, sample order: 2 x ZPL 65



End plate for bellows (spare part)

Made of black anodized aluminium, the end plate is used to attach the bellows to the end of the rail. It is included with every order for a set of bellows.

The attaching holes must be drilled in the rail if the bellows are to be retrofitted. For this reason, we recommend the use of induction-hardened rails for retrofits.

The external dimensions of the end plate correspond to that of the carriage front plate, the bellows and the adapter plate. Both fastening screws are supplied with the end plate.

Order code: **EPL xx**

xx = Size, sample order: 2 x EPL 65

3.3 Accessories

MR Carriages accessory details



Assembly rail

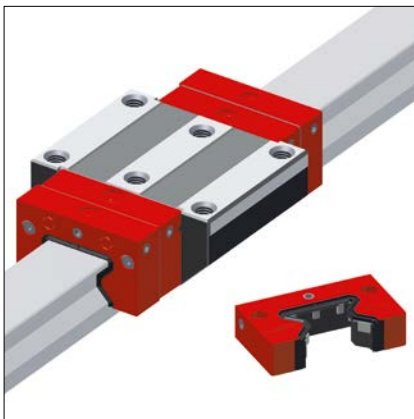
The assembly rail is required when a carriage has to be removed from the rail and then reinstalled during the installation of the MONORAIL.

It is advisable to leave the assembly rail in the carriage to protect the rollers against contamination.

If necessary, the two internal carriage attaching screws can be fitted and tightened through the two holes in the assembly rail.

Order code: **MRM xx**

xx = Size, sample order: 1 x MRM 65



Lubrication plate

An SPL lubrication plate is used wherever long lubrication intervals are required. Thanks to its integral oil reservoir, the rolling elements are supplied with an automatic and uniform supply of lubrication over an extended period.

It is ideally used in dry and clean environments as in handling technology or on the ancillary axes of machine tools.

The advantages are:

- Assured supply of lubrication in any installation position
- Long lubrication intervals of up to 5,000 km or 12 months according to use
- Refill apertures closed with screws
- Reduced outlay on lubrication and accessories
- Low environmental impact thanks to minimum consumption of lubricant
- Wipers have a long service life as oil is also supplied to the top surface of the rail

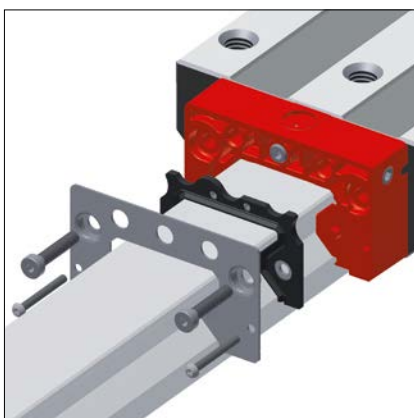
For maximum travel distances without re-lubrication, the lubrication plates are always used in pairs and the carriages are given an additional filling of grease.

The lubrication plates have the same dimensions as the carriage front plates and are installed in front of these. Retrofitting is possible.

Additional ZCV wipers must be provided in applications in which particles of dirt can come into contact with the guideways.

Order code: **SPL xx-MR**

xx = Size, sample order: 2 x SPL 65-MR



Cross wiper (spare part)

The double-lipped cross wipers are subject to natural abrasive wear and must therefore be checked regularly and replaced if necessary. To do this, the front panel is loosened and removed from the front plate. The wiper can then be removed and replaced.

Order code: **QAS xx-STR**

xx = Size, sample order: 1 x QAS 65-STR

3.4 Order key

Individual guide rails and carriages are ordered in accordance with the order codes described below.

Q.v. chapter 2.1 and chapter 3.3 for the order key for accessories.

Separate order codes are used in each case for rails, carriages and accessories. This also applies to different versions of rails and carriages.

All guide components are supplied individually as standard, i.e. unassembled.

If required, SCHNEEBERGER can also supply rails and carriages assembled incl. accessories as complete systems. Please note the ordering instructions in chapter 2.4 if this applies.

Order code for MR Rails

	2x	MR S	35	-N	-G1	-KC	-R1	-918	-19	-19	-CN
Quantity											
Rail											
Size											
Type											
Accuracy											
Straightness											
Reference side											
Rail length L3											
Position of first fixing hole L5											
Position of last fixing hole L10											
Coating											

NB

Q.v. chapter 3.1 to 3.3 for an overview of types, details of shapes, available options and accessories.

Q.v. chapter 2 for a description of the options.

If possible, standard lengths are preferred for L3 rail length.

These are calculated with the table values in chapter 3.2 using the following formula: $L3 = n \times L4 + L5 + L10 \leq L3_{max}$.

Standard $L5 / L10 = (L4 / 2) - 1,5$

Order code for MR Carriages

	4x	MR W	35	-A	-G1	-V3	-R1	-CN	-S10	-LN
Quantity										
Carriage										
Size										
Type										
Accuracy										
Preload										
Reference side										
Coating										
Lube connection										
Lubrication as delivered condition										

NB

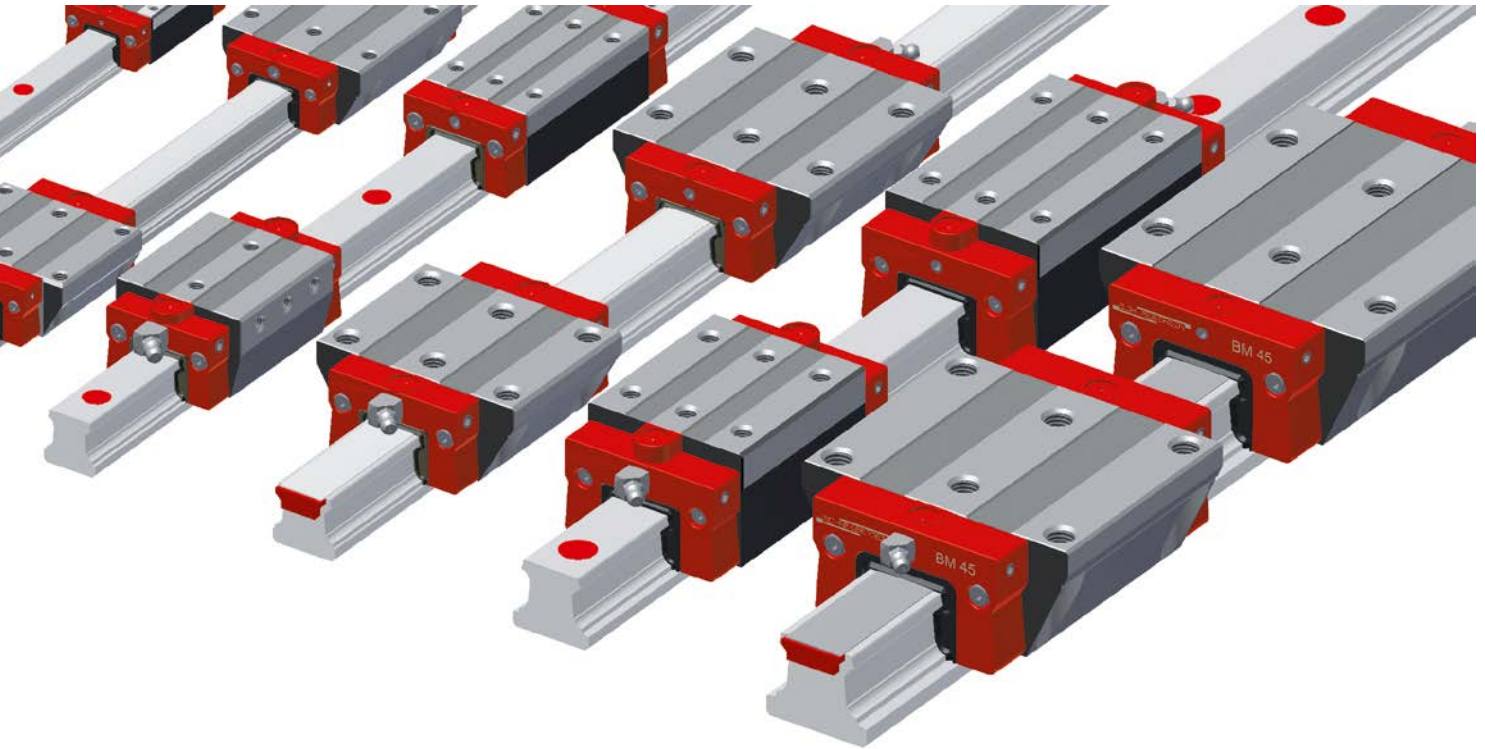
Q.v. chapter 3.1 to 3.3 for an overview of types, details of shapes, available options and accessories.

Q.v. chapter 2 for a description of the options.

When ordering version 4S MR carriages, „(4S)“ is added to the end of the order code.

4.0 MONORAIL BM

SCHNEEBERGER
LINEAR TECHNOLOGY



Very good dynamic characteristics and superb economy are the distinguishing features of the MONORAIL BM ball guideway. Thanks to the small number of transitions in the ball tracks, this novel design with its low number of optimally designed components provides outstanding running characteristics, which are distinguished by smooth running, low pulsation, reduced friction values and high travelling speeds.

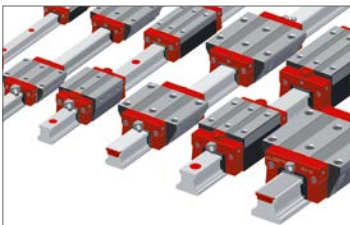
The trapezoidal rail section guideway results in a highly rigid guideway and also substantially reduces the amount of maintenance required since parts subject to wear can be replaced without the need to dismantle the guideway. Complete sealing of the carriages is a guarantee of unparalleled reliability matched by a long service life. This robust and versatile guideway thus ideally complements the MONORAIL MR roller guideway.

Features of System MONORAIL BM



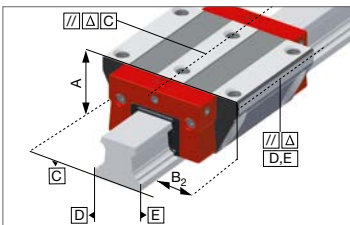
Details see chapter 1

4.1 Overview of types, sizes and available options 66



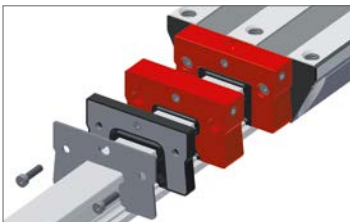
Product overview BM Rails	66
Product overview BM Carriages	67

4.2 Technical data and options 68



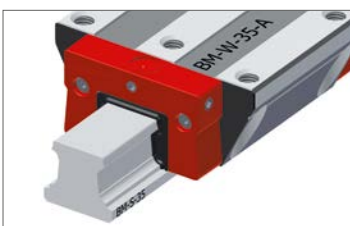
BM Size 15	68
BM Size 20	70
BM Size 25	72
BM Size 30	74
BM Size 35	76
BM Size 45	78

4.3 Accessories MONORAIL BM 80



Accessories overview	80
BM Rails accessory details	81
BM Carriages accessory details	83

4.4 Order key 86

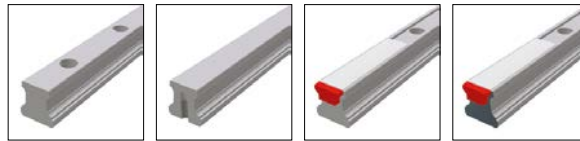


Order code for BM Rails	86
Order code for BM Carriages	86

4.1 Overview of types, sizes and available options

BM Rails

Product overview BM Rails



	N standard	NU with tapped holes at the bottom	C for cover strip	CD for cover strip, through hardened		
Buildsizes / Rail build forms						
Size 15	BM S 15-N	BM S 15-NU		BM S 15-CD		
Size 20	BM S 20-N	BM S 20-NU	BM S 20-C			
Size 25	BM S 25-N	BM S 25-NU	BM S 25-C			
Size 30	BM S 30-N	BM S 30-NU	BM S 30-C			
Size 35	BM S 35-N	BM S 35-NU	BM S 35-C			
Size 45	BM S 45-N	BM S 45-NU	BM S 45-C			
Features						
Screwable from above	●		●	●		
Screwable from below		●				
Small assembly effort		●	●	●		
Highly accurate mounting without lateral locating surface						
Great single-part system length	●	●	●			

Available options for BM Rails

Details see chapter 2

Accuracy

- G0** Highly accurate
- G1** Very accurate
- G2** Accurate
- G3** Standard

Straightness

- KC** Standard

Reference side

- R1** Ref. at bottom
- R2** Ref. on top

Coating

- CN** None
- CH** Hard chromium

Available accessories for BM Rails

Details see chapter 4.3

Plugs









Cover strips

Assembly tools

4.1 Overview of types, sizes and available options

BM Carriages





Product overview BM Carriages

													
Buildsizes / Carriage build forms	A standard	B standard, long	C compact, high	D compact, high, long	E compact, high, for lateral fixation	F compact	G compact, long	H standard, low	J standard, low, short	K compact, low, short	L compact, low	M standard, short	N compact, short
BM W 15-	A	B	C	D		F	G		J	K			
BM W 20-	A	B	C	D				H	J	K	L		N
BM W 25-	A	B	C	D	E	F	G	H	J	K	L		
BM W 30-	A	B	C	D	E	F	G	H	J		L	M	N
BM W 35-	A	B	C	D	E	F	G	H	J		L	M	N
BM W 45-	A	B	C	D		F	G						
Features													
Screwable from above	●	●	●	●		●	●	●	●	●	●	●	●
Screwable from below	●	●						●	●				●
Screwable from the side					●								
For high loads and moments		●		●			●						
For medium loads and moments	●		●		●	●		●	●	●	●	●	●
For limited installation space						●	●		●	●	●	●	●




Available options for BM Carriages

Details see chapter 2



Accuracy

-  G0 Highly accurate
-  G1 Very accurate
-  G2 Accurate
-  G3 Standard



Preload

-  V0 Very low
-  V1 Low
-  V2 Mittel
-  V3 High







Reference side

-  R1 Ref. at bottom
-  R2 Ref. on top

Coating

-  CN None
-  CH Hard chromium




Lube connections

-  S10 Left center
-  S20 Right center
-  S11 Top left
-  S21 Top right
-  S12 Lower left side
-  S22 Lower right side

Lubrication

-  S13 Upper left side
-  S23 Upper right side
-  S32 Left side
-  S42 Right side
-  S99 S10+S12+S13+S20+S22+S23 locked using threaded pins

Lubrication

-  LN Oil protect
-  LG Grease protect
-  LV Full greasing

Available accessories for MR Carriages

Details see chapter 4.3 and 2.1

Additional wipers ^{1, 2, 3, 4}
Metal wiper ^{1, 2, 3, 4}

Bellows ^{1, 2, 3, 4}
Lube nipples

Assembly rails
Lube adapters

Lubrication plates ^{1, 2, 3, 4}
Smooth-running wipers

¹ does not apply for type H

² does not apply for type J

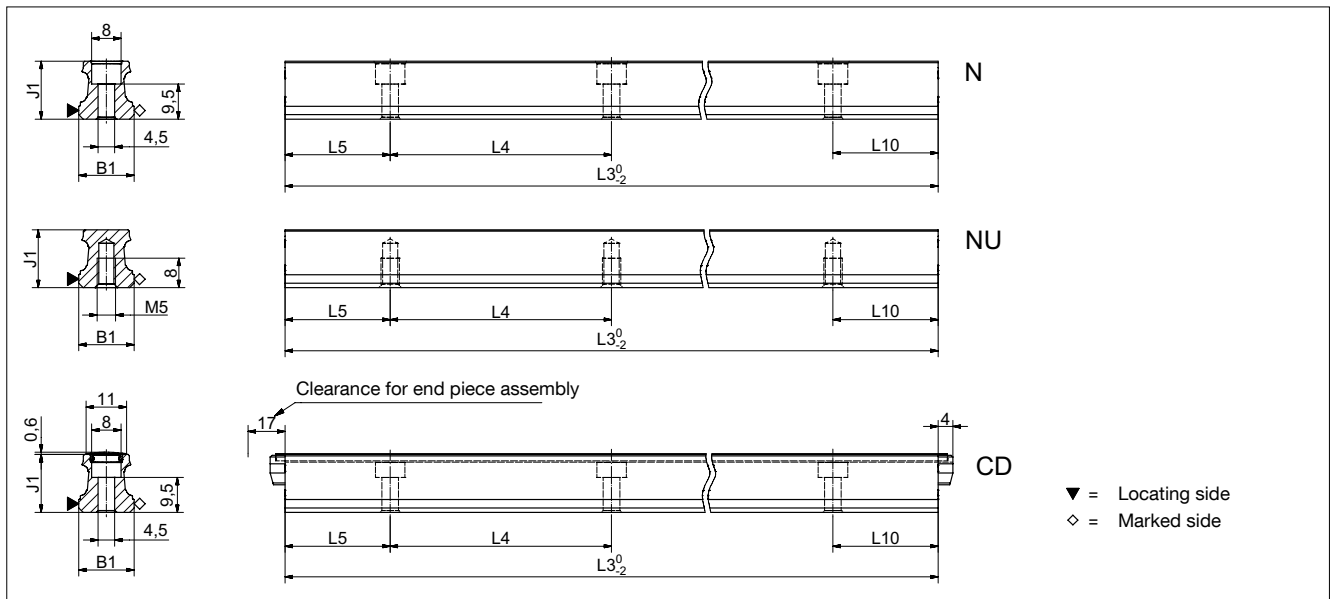
³ does not apply for type K

⁴ does not apply for type L

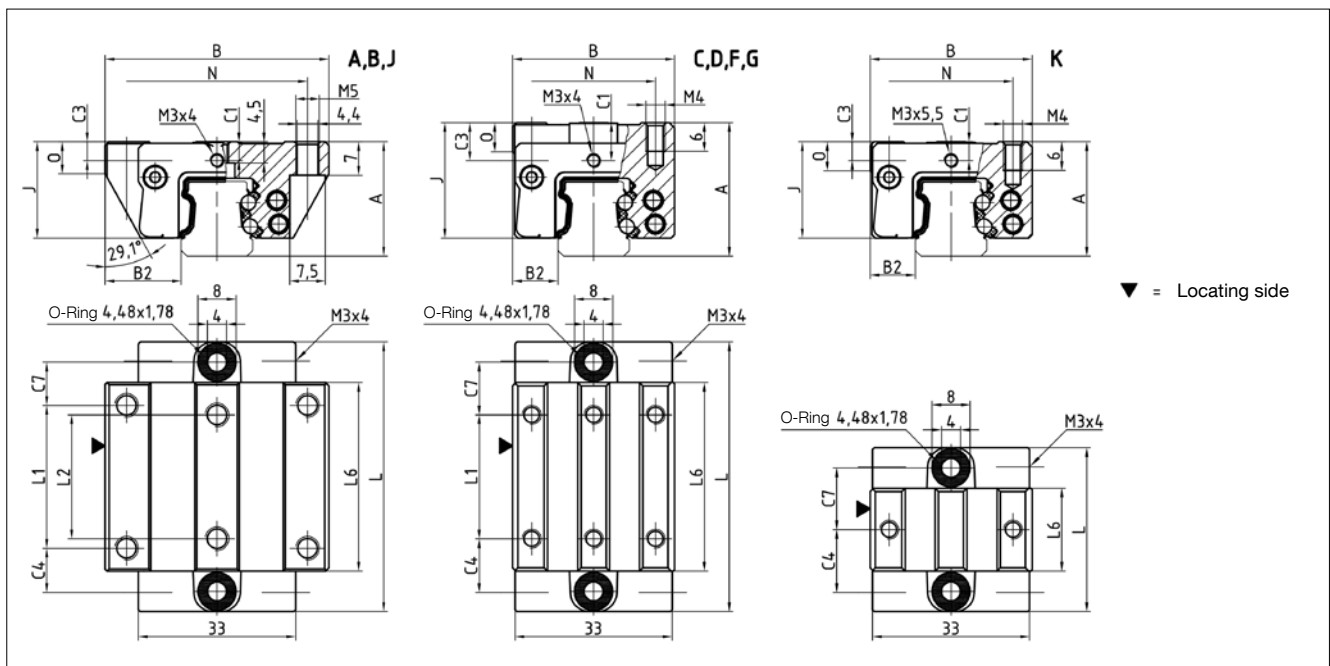
4.2 Technical data and options

BM Size 15

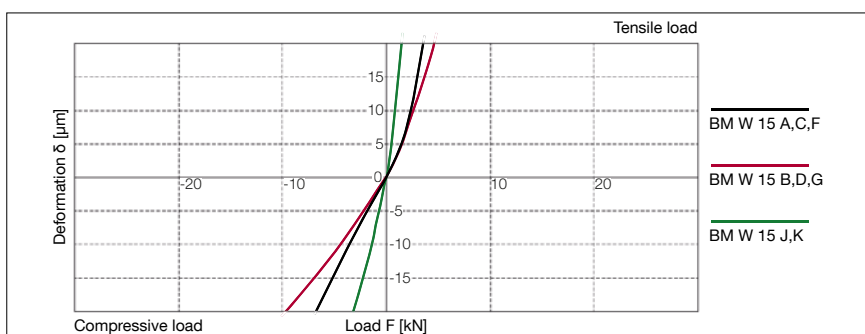
BM S 15 Drawings



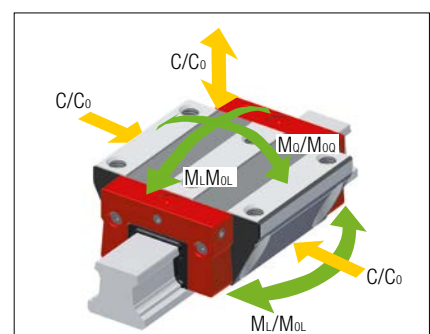
BM W 15 Drawings



BM W 15 Rigidity diagram



BM W 15 Load rating



4.2 Technical data and options

BM Size 15

BM S 15 Dimensions



	BM S 15-N	BM S 15-NU	BM S 15-CD		
B1: Rail width	15	15	15		
J1: Rail height	15.7	15.7	15.7		
L3: Rail length max.	3000	3000	1500		
L4: Spacing of fixing holes	60	60	60		
L5/L10: Position of first/last fixing hole	28.5	28.5	28.5		
Gew.: Rail weight, specific (kg/m)	1.4	1.4	1.3		

Available options for BM S 15



BM W 15 Dimensions and capacities

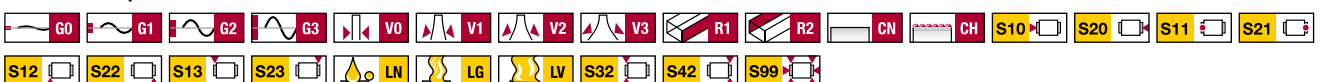


	BM W 15-A	BM W 15-B	BM W 15-C	BM W 15-D	BM W 15-F	BM W 15-G	BM W 15-J	BM W 15-K	
A: System height	24	24	28	28	24	24	24	24	
B: Carriage width	47	47	34	34	34	34	52	34	
B2: Distance between locating faces	16	16	9.5	9.5	9.5	9.5	18.5	9.5	
C1: Position of center front lube hole	4	4	8	8	4	4	4	4	
C3: Position of lateral lube hole	4	4	8	8	4	4	4	4	
C4: Position of lateral lube hole	9.3	17.3	11.3	19.3	11.3	19.3	14.8	14.8	
C7: Position of top lube hole	9.1	17	11.1	19	11.1	19	14.6	14.6	
J: Carriage height	20.4	20.4	24.4	24.4	20.4	20.4	20.4	20.4	
L: Carriage length	56.6	72.5	56.6	72.5	56.6	72.5	37.6	37.6	
L1: Exterior fixing hole spacing	30	30	26	26	26	26	-	-	
L2: Interior fixing hole spacing	26	26	-	-	-	-	-	-	
L6: Steel body length	39.6	55.5	39.6	55.5	39.6	55.5	20.6	20.6	
N: Lateral fixing hole spacing	38	38	26	26	26	26	41	26	
O: Reference face height	7	7	6	6	6	6	6	6	

Capacities and weights

C0: Static load capacity (N)	19600	22900	19600	22900	19600	22900	8500	8500	
C100: Dynamic load capacity (N)	9000	11400	9000	11400	9000	11400	5200	5200	
MOQ: Static cross moment capacity (Nm)	181	218	181	218	181	218	78	78	
MOL: Static longitud. moment capacity (Nm)	146	198	146	198	146	198	30	30	
MQ: Dyn. cross moment capacity (Nm)	83	108	83	108	83	108	48	48	
ML: Dyn. longitud. moment capacity (Nm)	67	96	67	96	67	96	18	18	
Gew: Carriage weight (kg)	0.2	0.3	0.3	0.3	0.2	0.2	0.1	0.2	

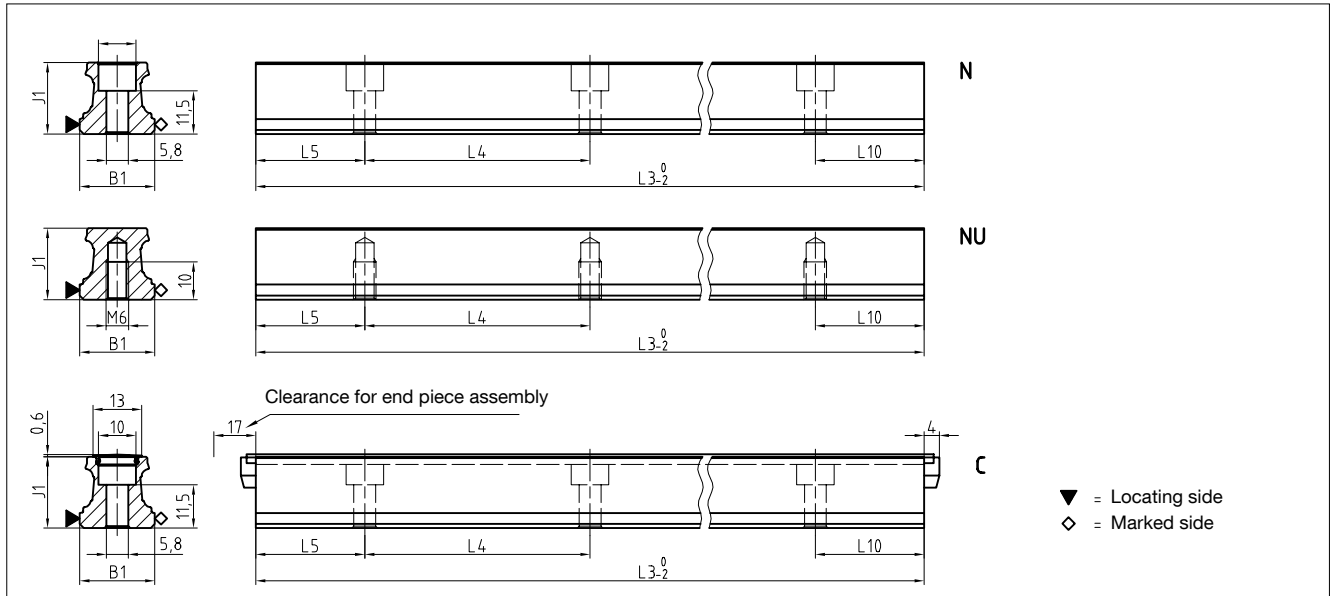
Available options for BM W 15



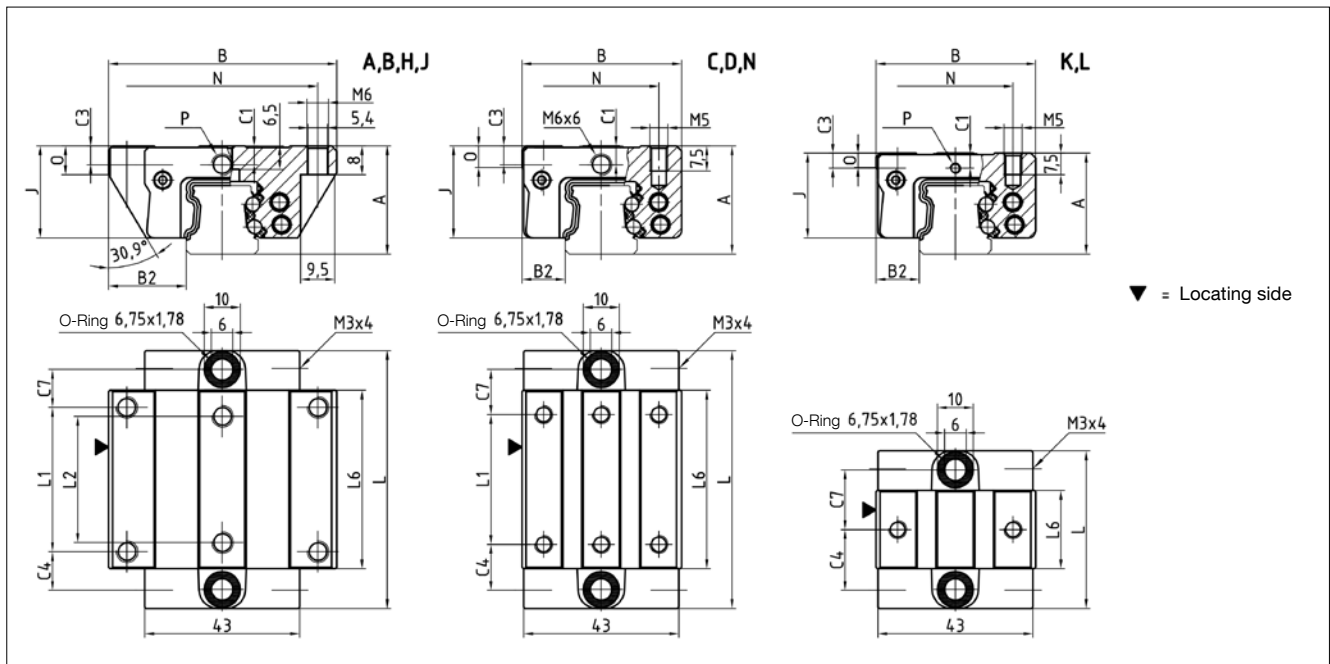
4.2 Technical data and options

BM Size 20

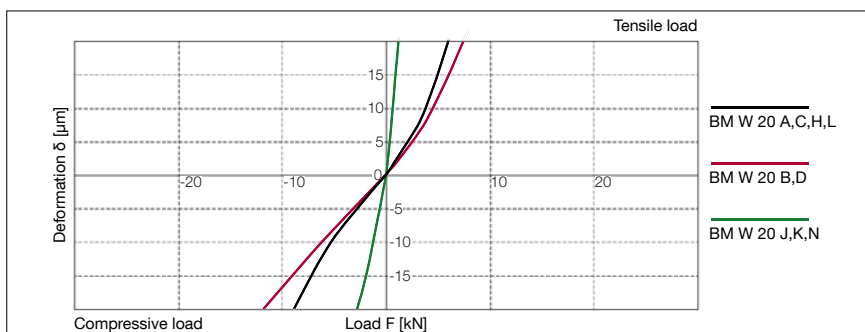
BM S 20 Drawings



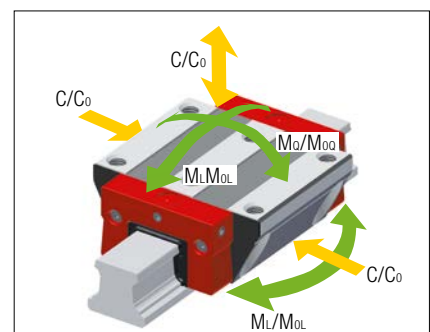
BM W 20 Drawings



BM W 20 Rigidity diagram



BM W 20 Load rating



4.2 Technical data and options

BM Size 20

BM S 20 Dimensions



	BM S 20-N	BM S 20-NU	BM S 20-C		
B1: Rail width	20	20	20		
J1: Rail height	19	19	19		
L3: Rail length max.	3000	3000	3000		
L4: Spacing of fixing holes	60	60	60		
L5/L10: Position of first/last fixing hole	28.5	28.5	28.5		
Gew.: Rail weight, specific (kg/m)	2.2	2.3	2.1		

Available options for BM S 20



BM W 20 Dimensions and capacities



	BM W 20-A	BM W 20-B	BM W 20-C	BM W 20-D	BM W 20-H	BM W 20-J	BM W 20-K	BM W 20-L	BM W 20-N		
A: System height	30	30	30	30	28	28	28	28	30		
B: Carriage width	63	63	44	44	59	59	44	42	44		
B2: Distance between locating faces	21.5	21.5	12	12	19.5	19.5	12	11	12		
C1: Position of center front lube hole	5.2	5.2	5.2	5.2	4	4	4	4	5.2		
C3: Position of lateral lube hole	5.2	5.2	5.2	5.2	3.2	3.2	3.2	3.2	5.2		
C4: Position of lateral lube hole	10.8	18.8	12.8	13.8	14.8	18.9	18.9	14.8	18.9		
C7: Position of top lube hole	10.3	18.3	12.3	13.3	14.3	18.4	18.4	14.3	18.4		
J: Carriage height	25.5	25.5	25.5	25.5	23.5	23.5	23.5	23.5	25.5		
L: Carriage length	71.5	87.5	71.5	87.5	71.5	47.7	47.7	71.5	47.7		
L1: Exterior fixing hole space	40	40	36	50	32	-	-	32	-		
L2: Interior fixing hole space	35	35	-	-	-	-	-	-	-		
L6: Steel body length	49.5	65.5	49.5	65.5	49.5	25.7	25.7	49.5	25.7		
N: Lateral fixing hole spacing	53	53	32	32	49	49	32	32	32		
O: Reference face height	8.5	8.5	6.5	6.5	10	10	6.5	6.5	6.5		
P: Connecting thread (MxL)	6x6	6x6	6x6	6x6	3x5.5	3x5.5	3x5.5	3x5.5	6x6		
Capacities and weights											
C0: Static load capacity (N)	31400	41100	31400	41100	31400	13100	13100	31400	13100		
C100: Dynamic load capacity (N)	14400	17400	14400	17400	14400	8400	8400	14400	8400		
MOQ: Static cross moment capacity (Nm)	373	490	373	490	373	150	150	373	150		
MOL: Static longitud. moment capacity (Nm)	292	495	292	495	292	58	58	292	58		
MQ: Dyn. cross moment capacity (Nm)	171	206	171	206	171	99	99	171	99		
ML: Dyn. longitude moment capacity (Nm)	134	208	134	208	134	37	37	134	37		
Gew: Carriage weight (kg)	0.5	0.6	0.4	0.5	0.4	0.3	0.3	0.4	0.3		

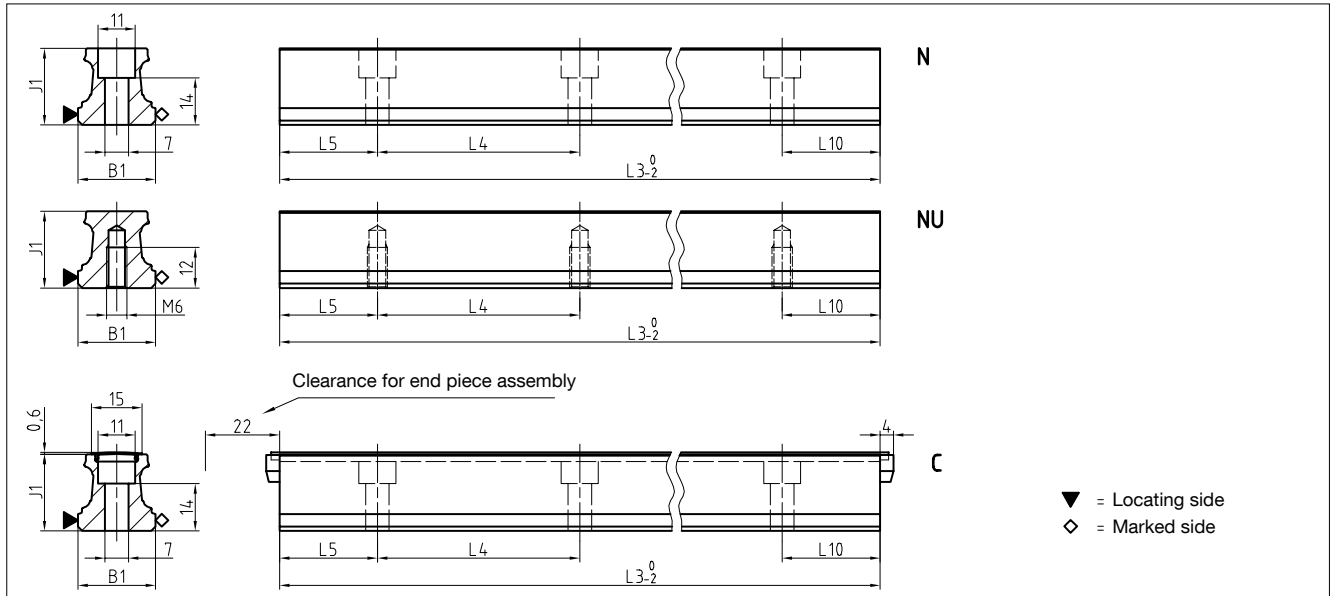
Available options for BM W 20



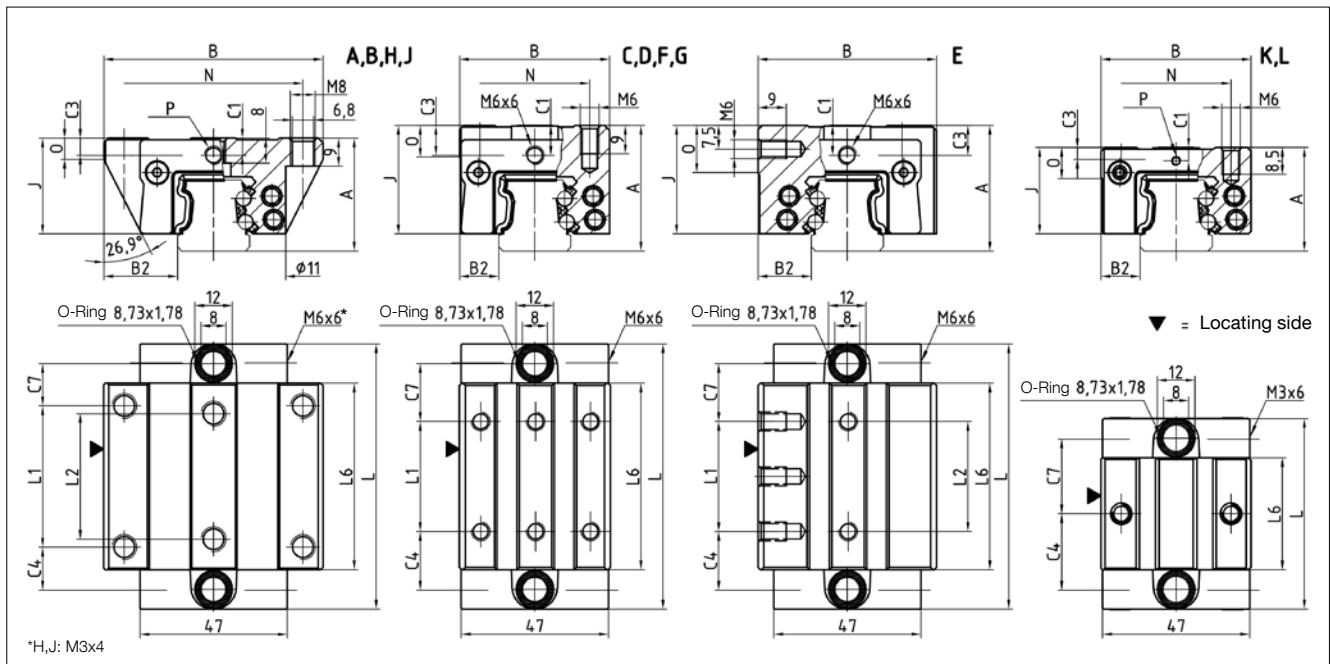
4.2 Technical data and options

BM Size 25

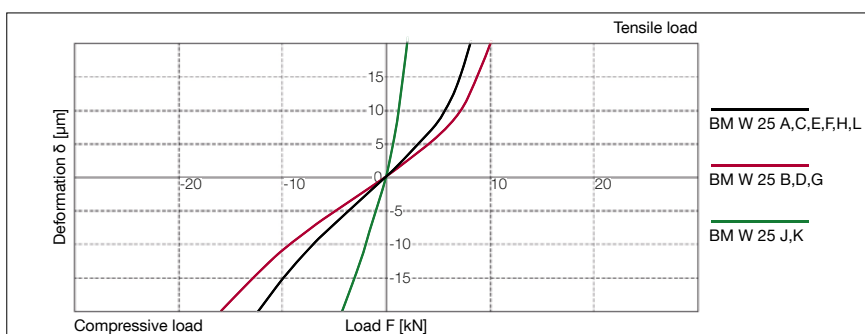
BM S 25 Drawings



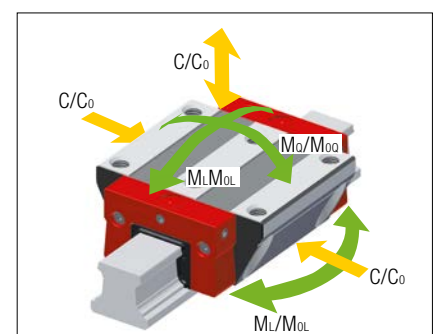
BM W 25 Drawings



BM W 25 Rigidity diagram



BM W 25 Load rating



4.2 Technical data and options

BM Size 25

BM S 25 Dimensions



	BM S 25-N	BM S 25-NU	BM S 25-C			
B1: Rail width	23	23	23			
J1: Rail height	22.7	22.7	22.7			
L3: Rail length max.	6000	6000	3000			
L4: Spacing of fixing holes	60	60	60			
L5/L10: Position of first/last fixing hole	28.5	28.5	28.5			
Gew.: Rail weight, specific (kg/m)	3.0	3.1	2.8			

Available options for BM S 25



BM W 25 Dimensions and capacities



	BM W 25-A	BM W 25-B	BM W 25-C	BM W 25-D	BM W 25-E	BM W 25-F	BM W 25-G	BM W 25-H	BM W 25-J	BM W 25-K	BM W 25-L	
A: System height	36	36	40	40	40	36	36	33	33	33	33	
B: Carriage width	70	70	48	48	57	48	48	73	73	48	48	
B2: Distance between locating faces	23.5	23.5	12.5	12.5	17	12.5	12.5	25	25	12.5	12.5	
C1: Position of center front lube	5.5	5.5	9.5	9.5	9.5	5.5	5.5	4.3	4.3	4.3	4.3	
C3: Position of lateral lube hole	5.5	5.5	9.5	9.5	9.5	5.5	5.5	3.8	3.8	3.8	3.8	
C4: Position of lateral lube hole	13.8	23.3	18.8	20.8	18.8	18.8	20.8	18.8	24.4	24.4	18.8	
C7: Position of top lube hole	13.5	23	18.5	20.5	18.5	18.5	20.5	18.5	24.1	24.1	18.5	
J: Carriage height	30.5	30.5	34.5	34.5	34.5	30.5	30.5	27.5	27.5	27.5	27.5	
L: Carriage length	84.5	103.5	84.5	103.5	84.5	84.5	103.5	84.5	60.7	60.7	84.5	
L1: Exterior fixing hole spacing	45	45	35	50	35	35	50	35	-	-	35	
L2: Interior fixing hole spacing	40	40	-	-	35	-	-	-	-	-	-	
L6: Steel body length	59.5	78.5	59.5	78.5	59.5	59.5	78.5	59.5	35.7	35.7	59.5	
N: Lateral fixing hole spacing	57	57	35	35	-	35	35	60	60	35	35	
O: Reference face height	7	7	10	10	15	10	10	8	8	9.5	9.5	
P: Connecting thread (MxL)	6x6	6x6	6x6	6x6	6x6	6x6	6x6	3x6	3x6	3x6	3x6	
Capacities and weights												
C0: Static load capacity (N)	46100	60300	46100	60300	46100	46100	60300	46100	18200	18200	46100	
C100: Dynamic load capacity (N)	21100	25500	21100	25500	21100	21100	25500	21100	12800	12800	21100	
MOQ: Static cross moment capacity (Nm)	631	825	631	825	631	631	825	631	251	251	631	
MOL: Static longitud. moment capacity (Nm)	513	863	513	863	513	513	863	513	101	101	513	
MQ: Dyn. cross moment capacity (Nm)	289	349	289	349	289	289	349	289	176	176	289	
ML: Dyn. longitud. moment capacity (Nm)	235	365	235	365	235	235	365	235	71	71	235	
Gew: Carriage weight (kg)	0.7	0.9	0.6	0.8	0.7	0.6	0.7	0.6	0.4	0.3	0.4	

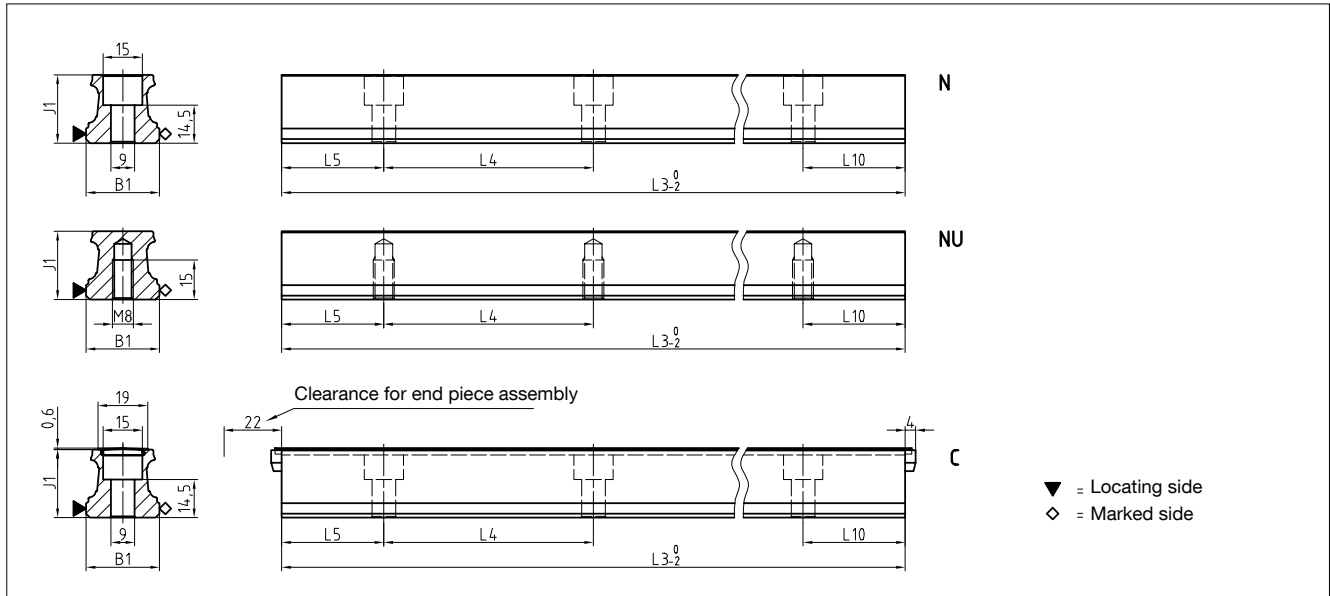
Available options for BM W 25



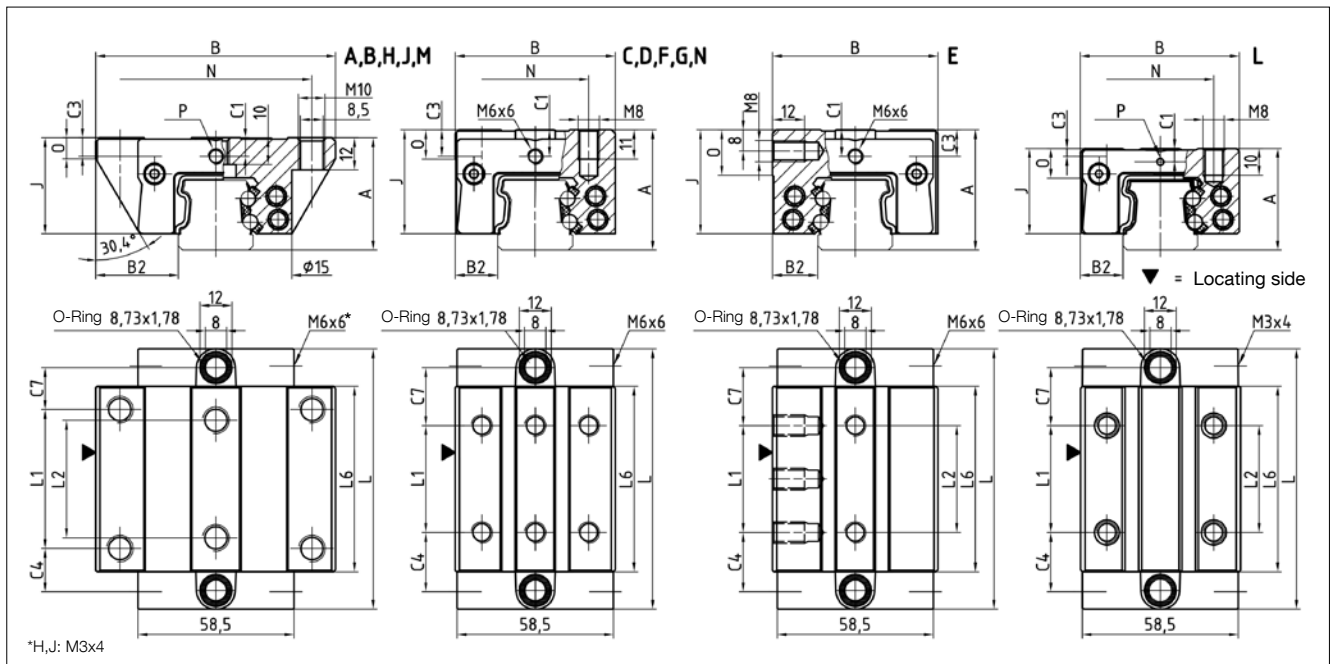
4.2 Technical data and options

BM Size 30

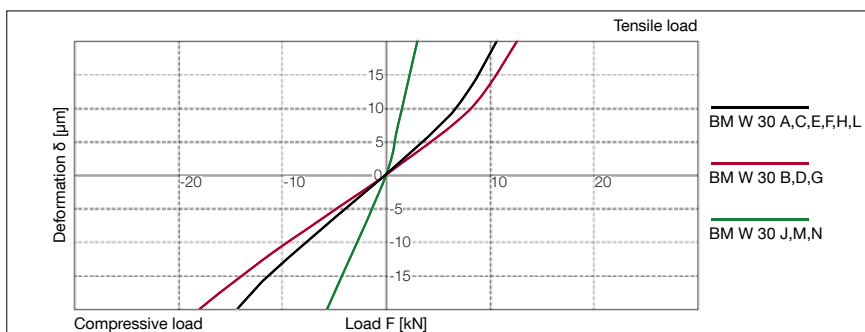
BM S 30 Drawings



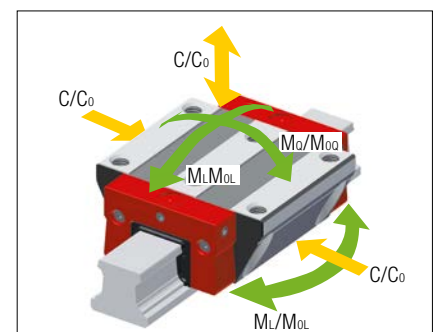
BM W 30 Drawings



BM W 30 Rigidity diagram



BM W 30 Load rating



4.2 Technical data and options

BM Size 30

BM S 30 Dimensions



	BM S 30-N	BM S 30-NU	BM S 30-C			
B1: Rail width	28	28	28			
J1: Rail height	26	26	26			
L3: Rail length max.	6000	6000	6000			
L4: Spacing of fixing holes	80	80	80			
L5/L10: Position of first/last fixing hole	38.5	38.5	38.5			
Gew: Rail weight, specific (kg/m)	4.3	4.5	4.1			

Available options for BM S 30



BM W 30 Dimensions and capacities



	BM W 30-A	BM W 30-B	BM W 30-C	BM W 30-D	BM W 30-E	BM W 30-F	BM W 30-G	BM W 30-H	BM W 30-J	BM W 30-L	BM W 30-N	BM W 30-M
A: System height	42	42	45	45	42	42	42	38	38	38	42	42
B: Carriage width	90	90	60	60	62	60	60	90	90	60	60	90
B2: Distance between locating faces	31	31	16	16	17	16	16	31	31	16	16	31
C1: Position of center front lube	7	7	10	10	10	7	7	5.2	5.2	5.2	7	7
C3: Position of lateral lube hole	7	7	10	10	10	7	7	4.7	4.7	4.7	7	7
C4: Position of lateral lube hole	16.2	27.2	22.2	23.2	22.2	22.2	23.2	16.2	28.3	22.2	28.3	28.3
G7: Position of top lube hole	15.7	26.7	21.7	22.7	21.7	21.7	22.7	15.7	27.8	21.7	27.8	27.8
J: Carriage height	35.9	35.9	38.9	38.9	38.9	35.9	35.9	31.9	31.9	31.9	35.9	35.9
L: Carriage length	97.4	119.4	97.4	119.4	97.4	97.4	119.4	97.4	69.6	97.4	69.6	69.6
L1: Exterior fixing hole spacing	52	52	40	60	40	40	60	52	-	40	-	-
L2: Interior fixing hole spacing	44	44	-	-	40	-	-	-	-	-	-	-
L6: Steel body length	69.4	91.4	69.4	91.4	69.4	69.4	91.4	69.4	41.6	69.4	41.6	41.6
N: Lateral fixing hole spacing	72	72	40	40	-	40	40	72	72	40	40	72
O: Reference face height	8	8	11	11	17	11	11	8	8	11	11	8
P: Connecting thread (MxL)	6x6	6x6	6x6	6x6	6x6	6x6	6x6	3x5.5	3x5.5	3x5.5	6x6	6x6
Capacities and weights												
C0: Static load capacity (N)	63700	83300	63700	83300	63700	63700	83300	63700	24700	63700	24700	24700
C100: Dynamic load capacity (N)	29200	35300	29200	35300	29200	29200	35300	29200	17500	29200	17500	17500
MOQ: Static cross moment capacity (Nm)	1084	1414	1084	1414	1084	1084	1414	1084	434	1084	434	434
MOL: Static longitud. moment capacity (Nm)	829	1390	829	1390	829	829	1390	829	161	829	161	161
MQ: Dyn. cross moment capacity (Nm)	497	599	497	599	497	497	599	497	308	497	308	308
ML: Dyn. longitud. moment capacity (Nm)	380	589	380	589	380	380	589	380	113	380	113	113
Gew: Carriage weight (kg)	1.2	1.5	1.0	1.3	1.0	0.9	1.2	1.0	0.8	1.0	0.6	0.8

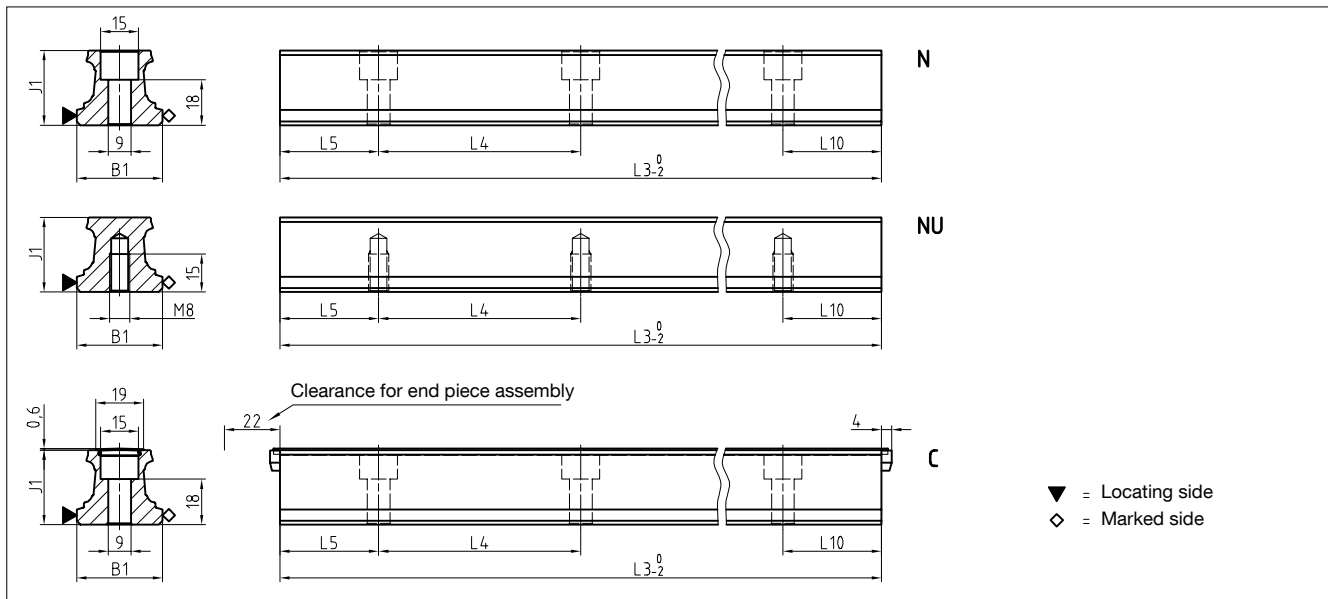
Available options for BM W 30



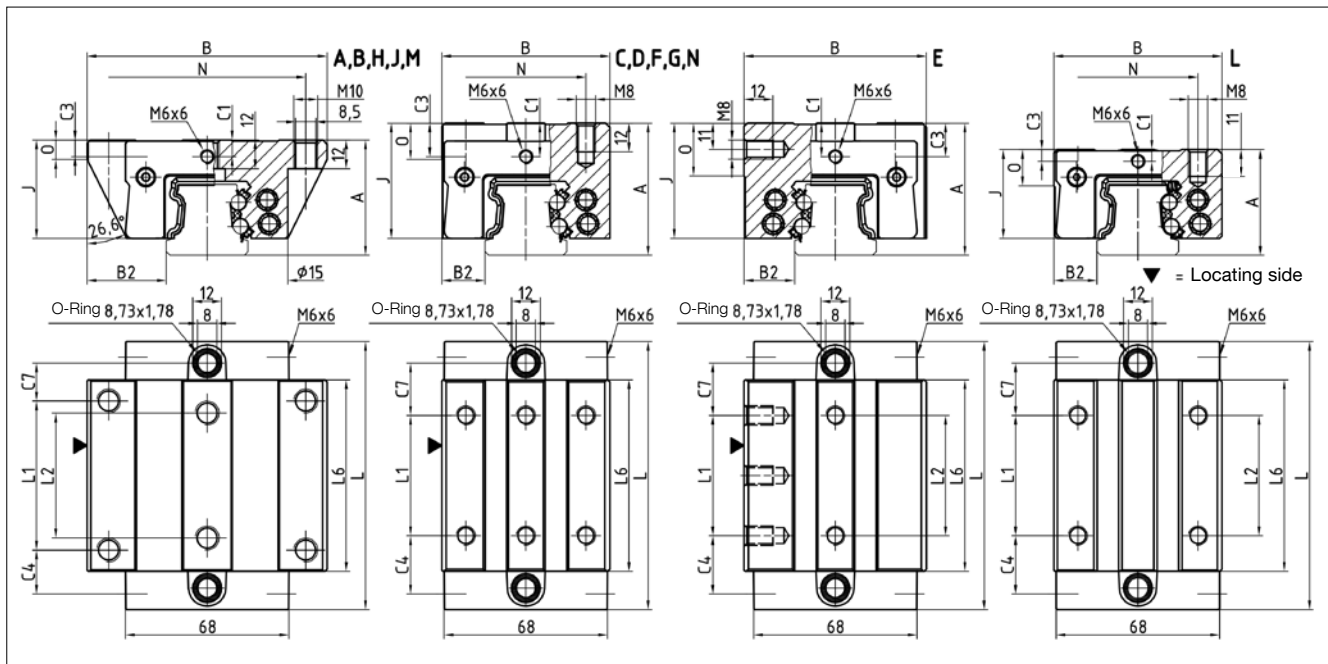
4.2 Technical data and options

BM Size 35

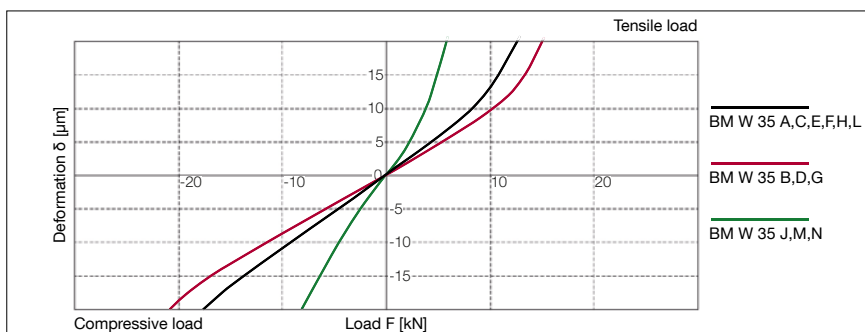
BM S 35 Drawings



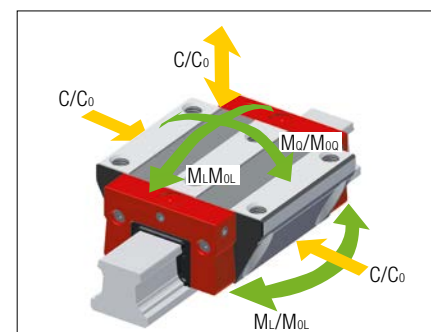
BM W 35 Drawings



BM W 35 Rigidity diagram



BM W 35 Load rating



4.2 Technical data and options

BM Size 35

BM S 35 Dimensions



	BM S 35-N	BM S 35-NU	BM S 35-C
B1: Rail width	34	34	34
J1: Rail height	29.5	29.5	29.5
L3: Rail length max.	6000	6000	6000
L4: Spacing of fixing holes	80	80	80
L5/L10: Position of first/last fixing hole	38.5	38.5	38.5
Gew: Rail weight, specific (kg/m)	5.4	5.7	5.7

Available options for BM S 35



BM W 35 Dimensions and capacities



	BM W 35-A	BM W 35-B	BM W 35-C	BM W 35-D	BM W 35-E	BM W 35-F	BM W 35-G	BM W 35-H	BM W 35-J	BM W 35-L	BM W 35-N	BM W 35-M
A: System height	48	48	55	55	55	48	48	44	44	44	48	48
B: Carriage width	100	100	70	70	76	70	70	100	100	70	70	100
B2: Distance between locating faces	33	33	18	18	21	18	18	33	33	18	18	33
C1: Position of center front lube	7	7	14	14	14	7	7	5.3	5.3	5.3	7	7
C3: Position of lateral lube hole	7	7	14	14	14	7	7	5.3	5.3	5.3	7	7
C4: Position of lateral lube hole	18.3	31.1	24.3	26.1	24.3	24.3	26.1	18.3	33.5	24.3	33.5	33.5
G7: Position of top lube hole	15.8	28.6	21.8	23.6	21.8	21.8	23.6	15.8	31.0	21.8	31.0	31.0
J: Carriage height	41	41	48	48	48	41	41	37	37	37	41	41
L: Carriage length	111.6	137.1	111.6	137.1	111.6	111.6	137.1	111.6	79.9	111.6	79.9	79.9
L1: Exterior fixing hole spacing	62	62	50	72	50	50	72	62	-	50	-	-
L2: Interior fixing hole spacing	52	52	-	-	50	-	-	-	-	-	-	-
L6: Steel body length	79.6	105.1	79.6	105.1	79.6	79.6	105.1	79.6	47.9	79.6	47.9	47.9
N: Lateral fixing hole spacing	82	82	50	50	-	50	50	82	82	50	50	82
O: Reference face height	8.5	8.5	15	15	22	8.5	8.5	8.5	8.5	15	15	8.5
Capacities and weights												
C0: Static load capacity (N)	84400	110300	84400	110300	84400	84400	110300	84400	37700	84400	37700	37700
C100: Dynamic load capacity (N)	38700	46700	38700	46700	38700	38700	46700	38700	25800	38700	25800	25800
MOQ: Static cross moment capacity (Nm)	1566	2048	1566	2048	1566	1566	2048	1566	717	1566	717	717
MOL: Static longitud. moment capacity (Nm)	1252	2104	1252	2104	1252	1252	2104	1252	240	1252	240	240
MQ: Dyn. cross moment capacity (Nm)	718	867	718	867	718	718	867	718	492	718	492	492
ML: Dyn. longitud. moment capacity (Nm)	574	891	574	891	574	574	891	574	172	574	172	172
Gew: Carriage weight (kg)	1.8	2.3	1.7	2.2	1.9	1.4	1.8	1.5	1.2	1.2	0.9	1.2

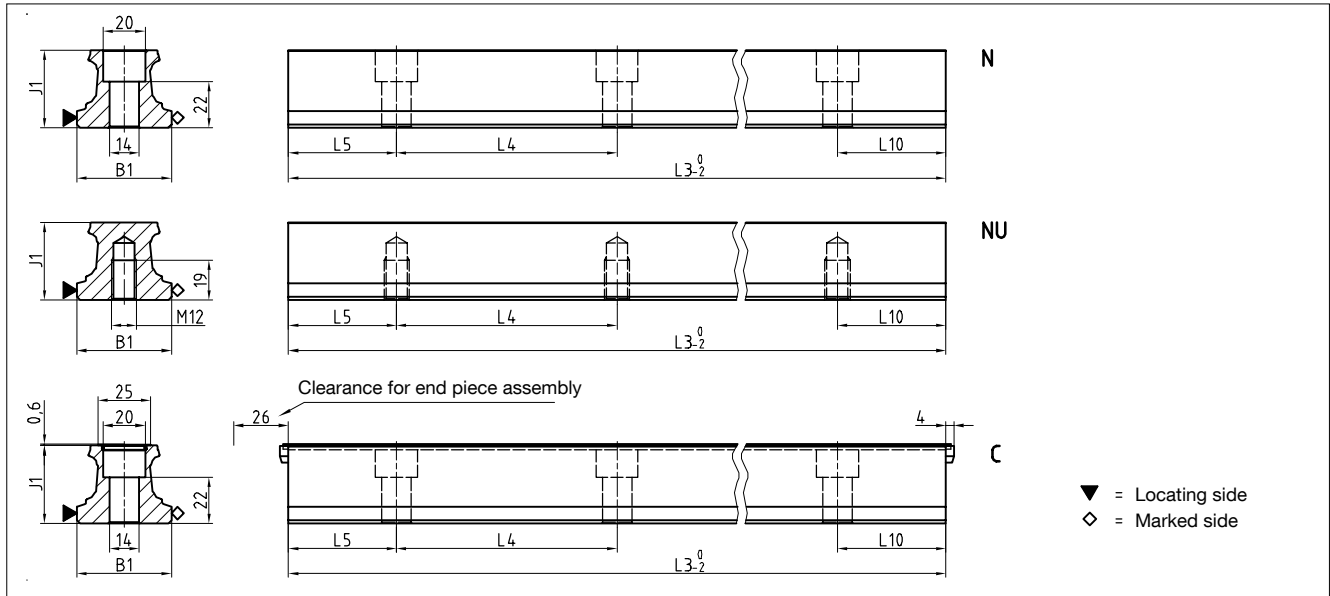
Available options for BM W 35



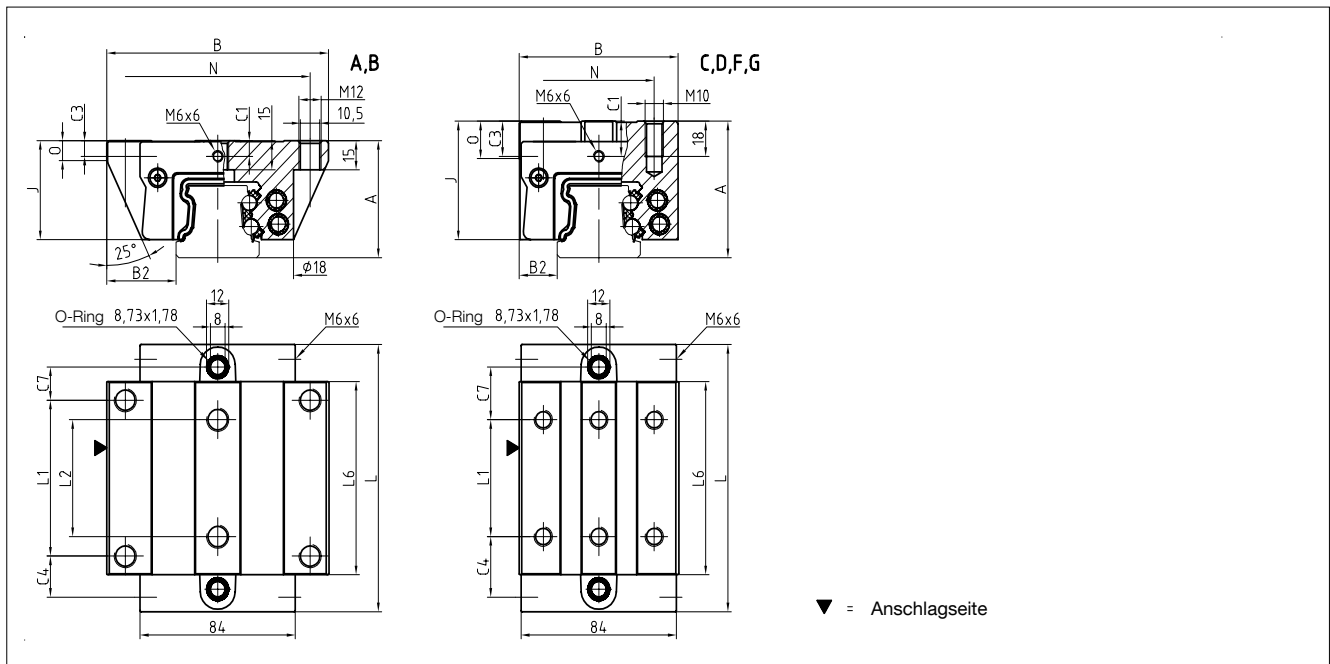
4.2 Technical data and options

BM Size 45

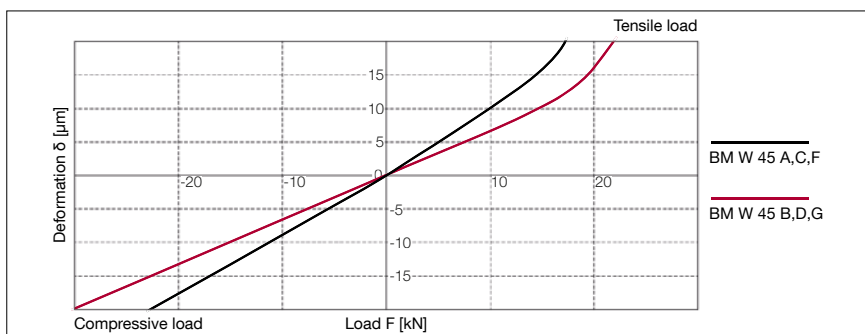
BM S 45 Drawings



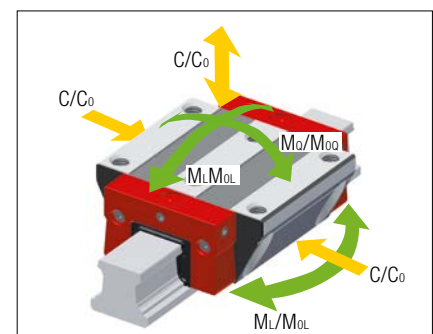
BM W 45 Drawings



BM W 45 Rigidity diagram



BM W 45 Load rating



4.2 Technical data and options

BM Size 45

BM S 45 Dimensions



	BM S 45-N	BM S 45-NU	BM S 45-C			
B1: Rail width	45	45	45			
J1: Rail height	37	37	37			
L3: Rail length max.	6000	6000	6000			
L4: Spacing of fixing holes	105	105	105			
L5/L10: Position of first/last fixing hole	51	51	51			
Gew.: Rail weight, specific (kg/m)	8.8	9.3	8.6			

Available options for BM S 45



BM W 45 Dimensions and capacities



	BM W 45-A	BM W 45-B	BM W 45-C	BM W 45-D	BM W 45-F	BM W 45-G	
A: System height	60	60	70	70	60	60	
B: Carriage width	120	120	86	86	86	86	
B2: Distance between locating faces	37.5	37.5	20.5	20.5	20.5	20.5	
C1: Position of center front lube hole	8	8	18	18	8	8	
C3: Position of lateral lube hole	8	8	18	18	8	8	
C4: Position of lateral lube hole	21.1	36.8	31.1	36.8	31.1	36.8	
C7: Position of top lube hole	17.1	32.8	27.1	32.8	27.1	32.8	
J: Carriage height	50.8	50.8	60.8	60.8	50.8	50.8	
L: Carriage length	137.1	168.6	137.1	168.6	137.1	168.6	
L1: Exterior fixing hole spacing	80	80	60	80	60	80	
L2: Interior fixing hole spacing	60	60	-	-	-	-	
L6: Steel body length	99.1	130.6	99.1	130.6	99.1	130.6	
N: Lateral fixing hole spacing	100	100	60	60	60	60	
O: Reference face height	10	10	19	19	10	10	

Capacities and weights

C0: Static load capacity (N)	134800	176300	134800	176300	134800	176300	
C100: Dynamic load capacity (N)	61900	74700	61900	74700	61900	74700	
MOQ: Static cross moment capacity (Nm)	3193	4175	3193	4175	3193	4175	
MOL: Static longitud. moment capacity (Nm)	2498	4199	2498	4199	2498	4199	
MQ: Dyn. cross moment capacity (Nm)	1466	1769	1466	1769	1466	1769	
ML: Dyn. longitud. moment capacity (Nm)	1147	1779	1147	1779	1147	1779	
Gew: Carriage weight (kg)	3.3	4.2	3.3	4.3	2.7	3.5	

Available options for BM W 45



4.3 Accessories

Overview

BM Rails Accessories overview

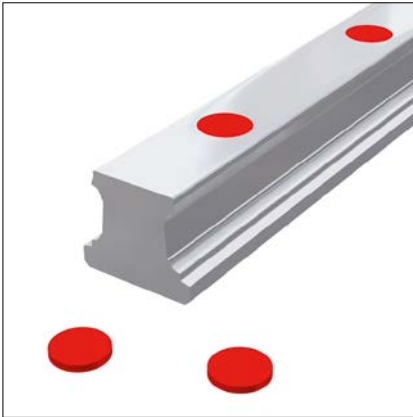
Accessories	BM S 15	BM S 20	BM S 25	BM S 30	BM S 35	BM S 45
Plugs:						
Plastic plugs	BRK 15	BRK 20	BRK 25	BRK 30	BRK 35	BRK 45
Cover strips:						
Cover strip (spare part)	BAC 15	BAC 20	BAC 25	BAC 30	BAC 35	BAC 45
Securing band for cover strip (spare part)	BSC 15-BAC	BSC 20-BAC	BSC 25-BAC	BSC 30-BAC	BSC 35-BAC	BSC 45-BAC
End piece for cover strip (spare part)	EST 15-BAC	EST 20-BAC	EST 25-BAC	EST 30-BAC	EST 35-BAC	EST 45-BAC
Assembly tools:						
Installation tool for cover strip	BWC 15	BWC 20	BWC 25	BWC 30	BWC 35	BWC 45

BM Carriages Accessories overview

Accessories	BM W 15	BM W 20	BM W 25	BM W 30	BM W 35	BM W 45
Additional wipers:						
Additional wipers Viton	ZBV 15	ZBV 20	ZBV 25	ZBV 30	ZBV 35	ZBV 45
Metal wiper	ABM 15	ABM 20	ABM 25	ABM 30	ABM 35	ABM 45
Bellows:						
Bellows	-	FBB 20	FBB 25	FBB 30	FBB 35	FBB 45
Adapter plate for bellows (spare part)	-	ZPB 20	ZPB 25	ZPB 30	ZPB 35	ZPB 45
End plate for bellows (spare part)	-	EPB 20	EPB 25	EPB 30	EPB 35	EPB 45
Assembly rails:						
Assembly rail	MBM 15	MBM 20	MBM 25	MBM 30	MBM 35	MBM 45
Lubrication plates:						
Lubrication plate	SPL 15-BM	SPL 20-BM	SPL 25-BM	SPL 30-BM	SPL 35-BM	SPL 45-BM
Front plates:						
Cross wiper for front plate (spare part)	QAS 15-STB	QAS 20-STB	QAS 25-STB	QAS 30-STB	QAS 35-STB	QAS 45-STB
Smooth-running wipers with front plate	QL 15-STB	QL 20-STB	QL 25-STB	QL 30-STB	QL 35-STB	QL 45-STB
Lube nipples:						
Hydraulic-type grease nipple straight	-	SN 6	SN 6	SN 6	SN 6	SN 6
Hydraulic-type grease nipple 45°	-	SN 6-45	SN 6-45	SN 6-45	SN 6-45	SN 6-45
Hydraulic-type grease nipple 90°	-	SN 6-90	SN 6-90	SN 6-90	SN 6-90	SN 6-90
Flush type grease nipple M3	SN 3-T	SN 3-T	-	-	-	-
Flush type grease nipple M6	-	SN 6-T	SN 6-T	SN 6-T	SN 6-T	SN 6-T
Grease gun for SN 3-T und SN 6-T	SFP-T3	SFP-T3	SFP-T3	SFP-T3	SFP-T3	SFP-T3
Lube adapters:						
Straight screw-in connection M3	SA 3-D3	SA 3-D3	-	-	-	-
Lubrication adapter M8 round-head	-	SA 6-RD-M8	SA 6-RD-M8	SA 6-RD-M8	SA 6-RD-M8	SA 6-RD-M8
Lubrication adapter M8 hexagon head	-	-	-	SA 6-6KT-M8	SA 6-6KT-M8	SA 6-6KT-M8
Lubrication adapter G1/8 hexagon head	-	-	-	SA 6-6KT-G1/8	SA 6-6KT-G1/8	SA 6-6KT-G1/8
Swivel screw connection for pipe d=4 mm	-	SV 6-D4	SV 6-D4	SV 6-D4	SV 6-D4	SV 6-D4
Swivel screw connection M3	SV 3-D3	SV 3-D3	-	-	-	-
Swivel screw connection M6	-	SV 6-M6	SV 6-M6	SV 6-M6	SV 6-M6	SV 6-M6
Swivel screw connection M6 long	-	SV 6-M6-L	SV 6-M6-L	SV 6-M6-L	SV 6-M6-L	SV 6-M6-L
Swivel screw connection M8	-	SV 6-M8	SV 6-M8	SV 6-M8	SV 6-M8	SV 6-M8
Swivel screw connection M8 long	-	SV 6-M8-L	SV 6-M8-L	SV 6-M8-L	SV 6-M8-L	SV 6-M8-L

4.3 Accessories

BM Rails accessory details



Plastic plugs

BRK plastic plugs are used as a low-cost method of closing off the rail attachment holes. They can be fitted manually with fairly simple tools. Plastic plugs are recommended for use with protected axes or in environments with low levels of contamination, e.g. handling.

Quantity supplied: Pack of 25 pcs

Order code: **BRK xx**

xx = Size, sample order: 3 x BRK 35 (75 pcs)



Cover strip (spare part)

A BAC cover strip combines technical functionality with simple installation and neat appearance.

Made of stainless spring steel, the strip is suitable for demanding applications with enhanced mechanical and thermal loading.

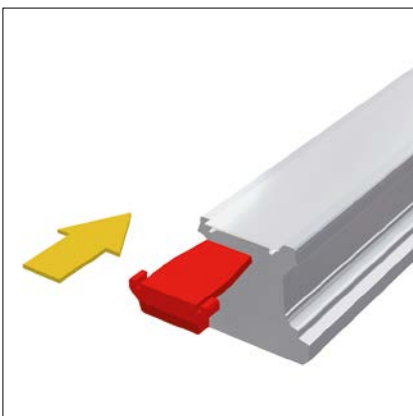
It provides the following advantages:

- Reliable fixing along the length as it is clipped into a special groove
- Additional fixing of the ends of the strips using locking parts (EST xx-BAC)
- Very robust due to the substantial thickness of the material
- Can be fitted and removed several times
- Protection of the wipers during installation as the rail fixing holes are recessed in the groove
- In any length up to 30 m available

When ordering guide rails with cover strips, they are included in the scope of supply.

Order code: **BAC xx-yy**

xx = Size, yy= Rail length in mm, sample order: 1 x BAC 35-4560



End piece for cover strip (spare part)

EST end pieces are used to close the ends of BAC cover strips. To do this, these plastic parts are inserted on both ends of the rail into the gap under the cover strip. Their special design prevents the ends of the cover strip from lifting and reduces the danger of injury on the sharp edges of the cover strip.

Order code: **EST xx-BAC**

xx = Size, sample order: 2 x EST 35-BAC

4.3 Accessories

BM Rails accessory details



Securing band for cover strip (spare part)

The BSC securing band for cover strips is used to secure the ends when mechanical loads are high. To do this, the protruding band ends are cut off at right angles and burr-free, and a fastening thread is fitted to the front face of the rail.

Securing bands are used in applications with high vibration levels, with rails in open chip spaces, with rail lengths of less than 600 mm or for vertical fitting and the subsequent risk that EST endpieces could fall out.

The securing band also covers the ends of the cover strips and reduces the risk of injury on the sharp corners of the ends.

Order code: **BSC xx-MAC**

xx = Size, order example: 2 x BSC 65-MAC

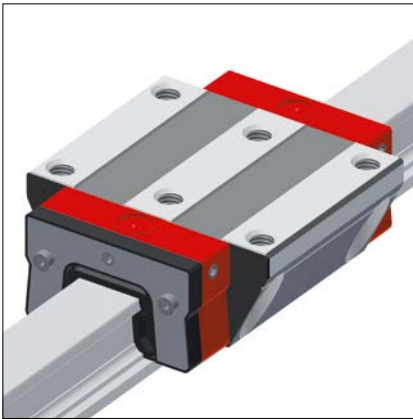


Installation tool for cover strip

A BWC fitting tool is used to simplify the fitting of an MAC cover strip. At the same time, it ensures that the cover strip sits securely in the rail groove without any gaps.

Order code: **BWC xx**

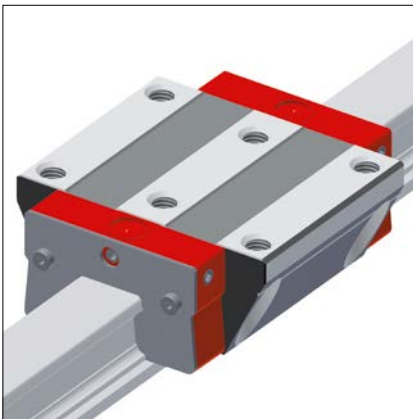
xx = Size, sample order: 1 x BWC 35

**Additional wiper Viton**

ZBV additional wipers provide additional protection of the carriages in heavily contaminated environments. Made of Viton® (fluoroelastomer), they are also suitable for use with aggressive coolants. Since they can be pushed over the rail cross section due to their flexibility, retrofitting is possible without any need to remove the carriage from the rail. ZBV wipers can also be used in combination with ABM metal wipers.

Order code: **ZBV xx**

xx = Size, sample order: 2 x ZBV 35

**Metal wiper**

Made of stainless steel, ABM metal wipers are used to protect the sealing lips of carriages and additional wipers against hot metal chips. Large and loose dirt particles are pushed away and cannot get jammed due to the controlled dimension of the gap with the rail. Specially adapted types are available for rails using AMS measuring systems. Metal wipers are ideally used in combination with ZBV additional wipers.

Order code: **ABM xx**

xx= Size, sample order: 1 x ABM 35

4.3 Accessories

BM Carriages accessory details

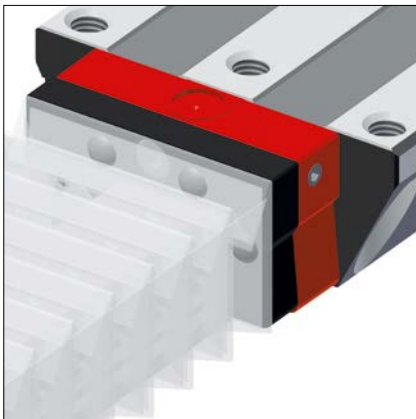


Bellows

A standard FBB bellows is available for MONORAIL sizes BM 20 – BM 45, the purpose of which is mainly to provide additional protection against dust and water splashes. The bellows are made of synthetic fabric coated on both sides with plastic. The bellows cover the entire length of the rail profile matching the relevant faceplate of the carriage. The external dimensions of the carriage are not exceeded by the bellows. Installation is simple and takes little time. A ZPB adapter plate is required to attach the bellows to the carriage. The adapter plate is screwed to the front plate of the carriage using a central screw. An EPB end plate is screwed to the end face of the rail. The bellows are fastened by two rivets to both the adapter plate and the front plate. The required adapter and end plates, attachment screws and rivets are supplied with each order for a complete set of bellows. The attachment holes for the end plate are also prepared in the rail when a guideway with bellows is ordered.

Order code: **FBB xx-yy**

xx = Size, yy = Number of folds, sample order: 1 x FBB 35-146



Adapter plate for bellows (spare part)

A ZPB adapter plate is used to attach FBB bellows to the carriage and is included with every order for a bellows. It is made of black anodized aluminium. The outer contour of the adapter plate corresponds to that of the carriage front plate, the bellows and the end plate. The central fastening screw is included in the scope of supply.

Order code: **ZPB xx**

xx = Size, sample order: 2 x ZPB 35



End plate for bellows (spare part)

Made of black anodized aluminium, an EPB end plate is used to attach the FBB bellows to the end of the rail. It is included with every order for a set of bellows. The attachment holes must be drilled in the rail if the bellows are to be retrofitted. For this reason, we recommend the use of induction-hardened rails for retrofits. The outer contour of the end plate corresponds to that of the carriage front plate, the bellows and the adapter plate. Both fastening screws are supplied with the end plate.

Order code: **EPB xx**

xx = Size, sample order: 2 x EPB 35



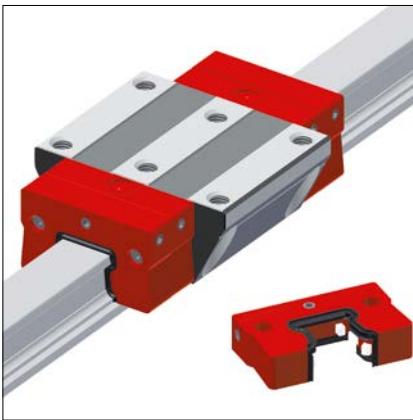
Assembly rail

An MBM assembly rail is required when a carriage has to be removed from the rail and then reinstalled during the installation of the MONORAIL guideway.

It is advisable to leave the assembly rail in the carriage to protect the balls against contamination. If necessary, the two internal carriage attaching screws can be fitted and tightened through the two holes in the assembly rail.

Order code: **MBM xx**

xx = Size, sample order: 1 x MBM 35



Lubrication plate

An SPL lubrication plate is used wherever long lubrication intervals are required. Thanks to its integral oil reservoir, the rolling elements are supplied with an automatic and uniform supply of lubrication over an extended period.

It is ideally used in dry and clean environments as in handling technology or on the ancillary axes of machine tools.

The advantages are:

- Assured supply of lubrication in any installation position
- Long lubrication intervals of up to 5,000 km or 12 months according to use
- Refill apertures closed with screws
- Reduced outlay on lubrication and accessories
- Low environmental impact thanks to minimum consumption of lubricant
- Wipers have a long service life as oil is also supplied to the top surface of the rail

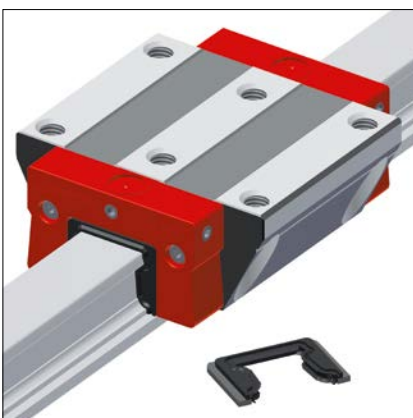
For maximum travel distances without re-lubrication, the lubrication plates are always used in pairs and the carriages are given an additional filling of grease.

The lubrication plates have the same dimensions as the carriage front plates and are installed in front of these. Retrofitting is possible.

Additional ZBV wipers must be provided in applications in which particles of dirt can come into contact with the guideways.

Order code: **SPL xx-BM**

xx = Size, sample order: 2 x SPL 35-BM



Cross wiper for front plate (spare part)

QAS twin-lip cross wipers, integrated into the end plate, seal the carriage at the ends, thus preventing the ingress of dirt and the loss of lubricant.

As the cross wipers are subject to normal wear, they must be examined regularly and replaced if necessary.

Order code: **QAS xx-STB**

xx = Size, sample order: 1 x QAS 35-STB

4.4 Order key

Individual guide rails and carriages are ordered in accordance with the order codes described below.

Q.v. chapter 2.1 and chapter 4.3 for the order key for accessories.

Separate order codes are used in each case for rails, carriages and accessories. This also applies to different versions of rails and carriages.

All guide components are supplied individually as standard, i.e. unassembled.

If required, SCHNEEBERGER can also supply rails and carriages assembled incl. accessories as complete systems. Please note the ordering instructions in chapter 2.4 if this applies.

Order code for BM Rails

	2x	BM S	25	-N	-G3	-KC	-R1	-958	-29	-29	-CN
Quantity											
Rail											
Size											
Type											
Accuracy											
Straightness											
Reference side											
Rail length L3											
Position of first fixing hole L5											
Position of last fixing hole L10											
Coating											

NB

Q.v. chapter 4.1 to 4.3 for an overview of types, details of shapes, available options and accessories.

Q.v. chapter 2 for a description of the options.

If possible, standard lengths are preferred for L3 rail length.

These are calculated with the table values in chapter 4.2 using the following formula: $L3 = n \times L4 + L5 + L10 \leq L3_{max}$.

Order code for BM Carriages

	4x	BM W	25	-A	-G3	-V1	-R1	-CN	-S10	-LN
Quantity										
Carriage										
Size										
Type										
Accuracy										
Preload										
Reference side										
Coating										
Lube connection										
Lubrication as delivered condition										

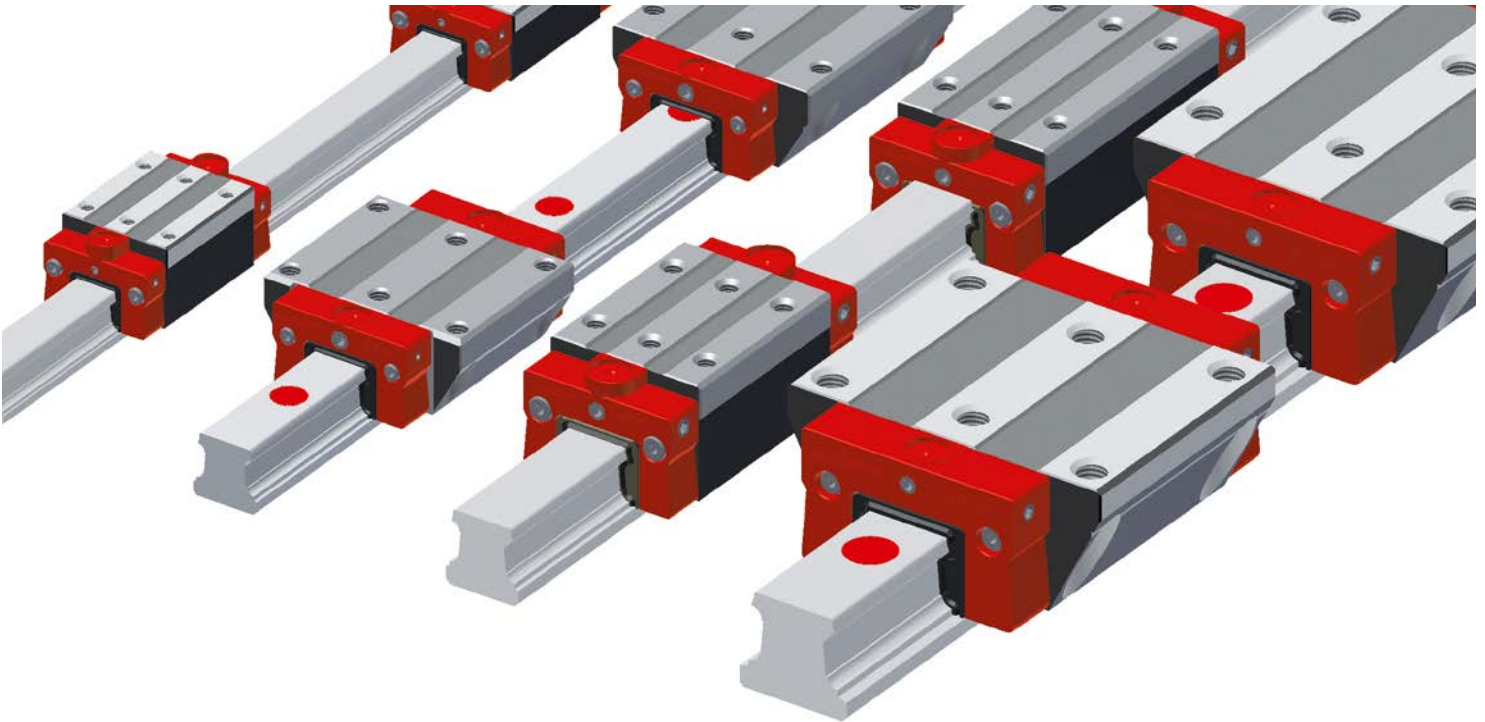
NB

Q.v. chapter 4.1 to 4.3 for an overview of types, details of shapes, available options and accessories.

Q.v. chapter 2 for a description of the options.

5.0 MONORAIL BM WR / BM SR

SCHNEEBERGER
LINEAR TECHNOLOGY

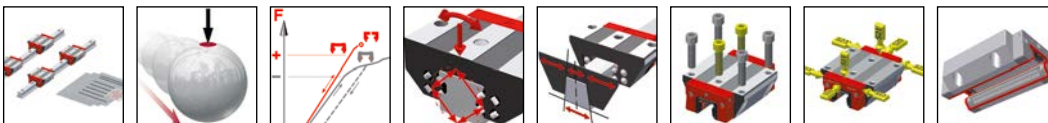


The MONORAIL BM WR/SR systems are linear guides made from corrosion-resistant steel, and are based on the MONORAIL BM ball profiled linear guideway. They were developed specially for specifications which would exceed the requirements of ordinary coatings for linear guideways. This is the case when the performance of the product is impaired by corrosion during processes.

In applications such as machines for foodstuffs, medical technology and cleanrooms MONORAIL BM WR/SR products ensure that the operation of linear axes is clean, accurate, long-term and free of problems.

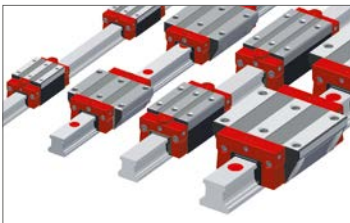
Furthermore, the MONORAIL WR/SR has the same tried and tested properties of the MONORAIL BM, such as the most effective operating characteristics, high travel speeds and a long operating life.

Features of System MONORAIL BM WR / BM SR



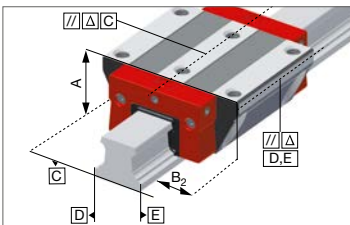
Details see chapter 1

5.1 Overview of types, sizes and available options 90



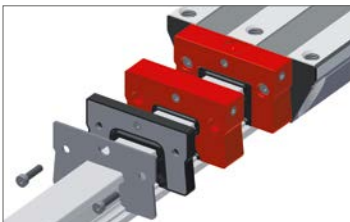
Product overview BM SR Rails	90
Product overview BM WR Carriages	91

5.2 Technical data and options 92



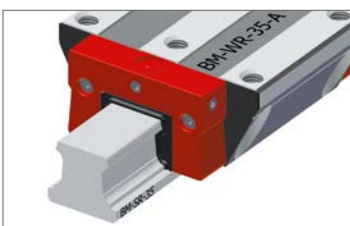
BM WR / BM SR Size 15	92
BM WR / BM SR Size 20	94
BM WR / BM SR Size 25	96
BM WR / BM SR Size 30	98
BM WR / BM SR Size 35	100

5.3 Accessories MONORAIL BM WR / BM SR 102



Accessories overview	102
----------------------	-----

5.4 Order key 103

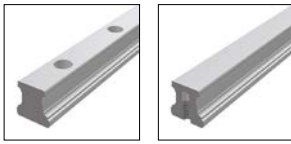


Order code for BM SR Rails	103
Order code for BM WR Carriages	103

5.1 Overview of types, sizes and available options

BM SR Rails

Product overview BM SR Rails



ND
standard,
through hardened

NUD
with tapped holes
at the bottom,
through hardened

Buildsizes / Rail build forms

	ND	NUD			
Size 15	BM SR 15-ND	BM SR 15-NUD			
Size 20	BM SR 20-ND	BM SR 20-NUD			
Size 25	BM SR 25-ND	BM SR 25-NUD			
Size 30	BM SR 30-ND	BM SR 30-NUD			
Size 35	BM SR 35-ND	BM SR 35-NUD			




Features

Screwable from above	●				
Screwable from below		●			
Small assembly effort		●			

Available options for BM SR Rails

Details see chapter 2



Accuracy

-  G1 Very accurate
-  G2 Accurate
-  G3 Standard

Straightness

-  KC Standard

Reference side

-  R1 Ref. at bottom
-  R2 Ref. on top

Coating

-  CN None

Available accessories for BM SR Rails

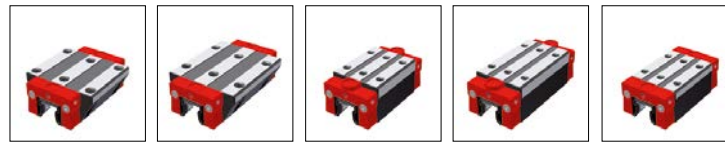
Details see chapter 5.3

Plugs

5.1 Overview of types, sizes and available options

BM WR Carriages

Product overview BM WR Carriages



A standard **B** standard, long **C** compact, high **D** compact, high, long **F** compact

Buildsizes / Carriage build forms

Size 15	BM WR 15-A		BM WR 15-C		BM WR 15-F
Size 20	BM WR 20-A	BM WR 20-B	BM WR 20-C	BM WR 20-D	
Size 25	BM WR 25-A	BM WR 25-B	BM WR 25-C	BM WR 25-D	
Size 30	BM WR 30-A	BM WR 30-B	BM WR 30-C	BM WR 30-D	BM WR 30-F
Size 35	BM WR 35-A	BM WR 35-B	BM WR 35-C	BM WR 35-D	

Features

Screwable from above	●	●	●	●	●
Screwable from below	●	●			
For high loads and moments		●		●	
For medium loads and moments	●		●		●
For limited installation space					●

Available options for BM WR Carriages

Details see chapter 2

Accuracy

- G1** Very accurate
- G2** Accurate
- G3** Standard

Preload

- V0** very low
- V1** Low
- V2** Medium

Reference side

- R1** Ref. at bottom
- R2** Ref. on top

Coating

- CN** None

Lube connections

- S10** Left center
- S20** Right center
- S11** Top left
- S21** Top right
- S12** Lower left side
- S22** Lower right side

Lubrication

- S13** Upper left side
- S23** Upper right side
- S32** Left side
- S42** Right side
- S99** S10+S12+S13+S20+S22+S23 locked using threaded pins

Lubrication

- LN** Oil protect
- LK** Customized

Available accessories for BM WR Carriages

Details see chapter 5.3 and 2.1

Additional wipers
Metal wiper

Bellows
Lube nipples

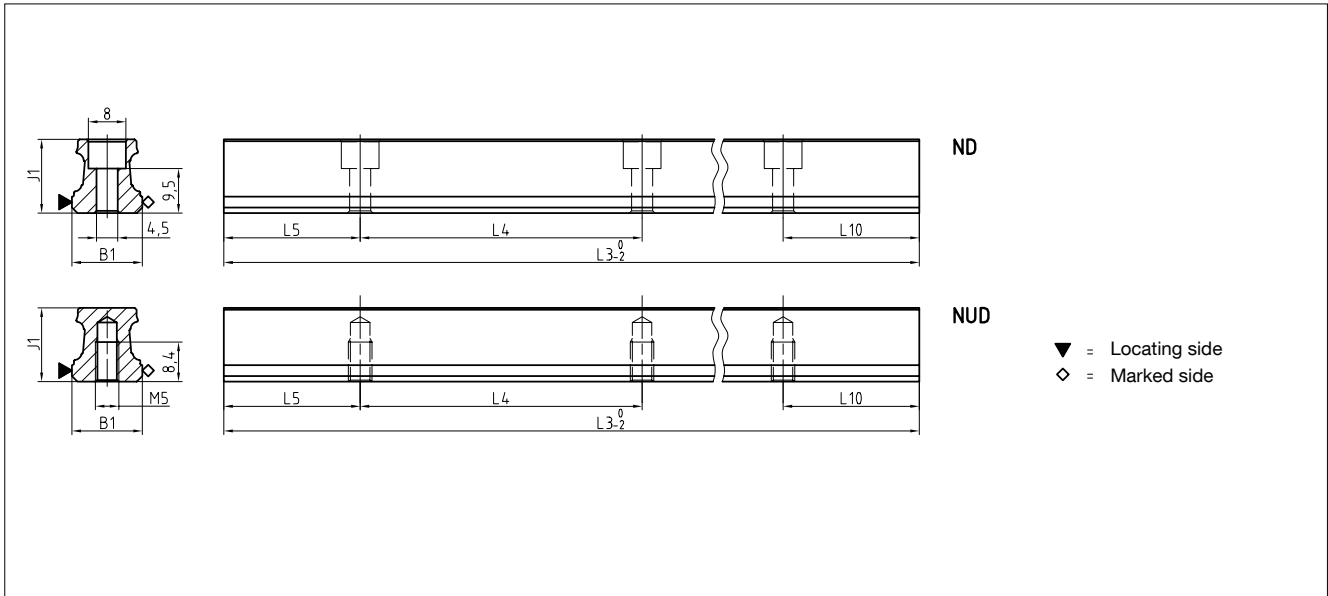
Assembly rails
Lube adapters

Lubrication plates

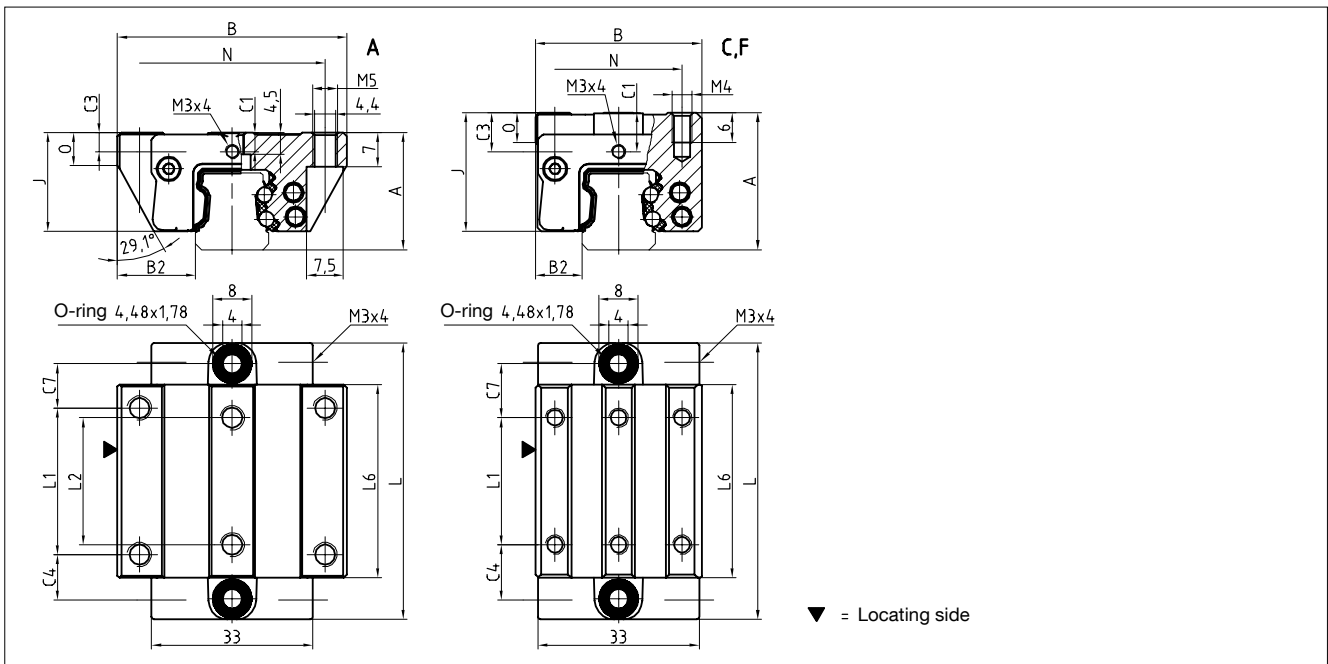
5.2 Technical data and options

BM WR / BM SR Size 15

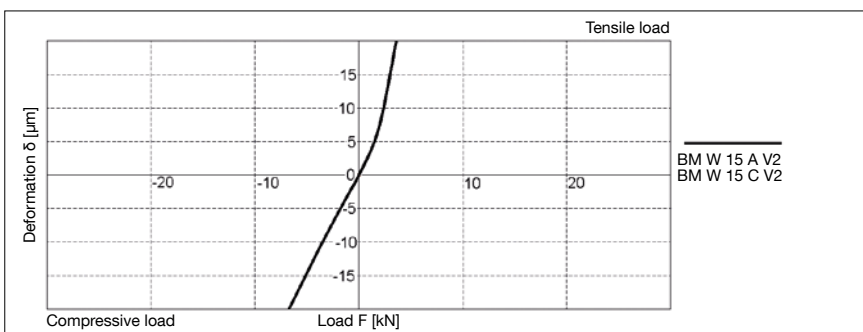
BM SR 15 Drawings



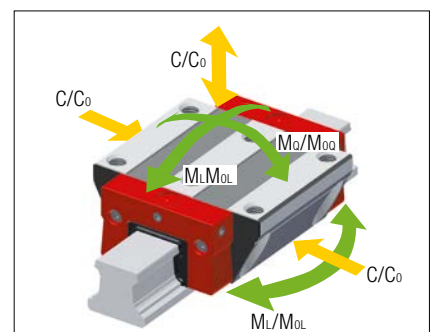
BM WR 15 Drawings



BM WR 15 Rigidity diagram



BM WR 15 Load rating



5.2 Technical data and options

BM WR / BM SR Size 15

BM SR 15 Dimensions



	BM SR 15-ND	BM SR 15-NUD			
B1: Rail width	15	15			
J1: Rail height	15.7	15.7			
L3: Rail length max.	3000	3000			
L4: Spacing of fixing holes	60	60			
L5/L10: Position of first/last fixing hole	28.5	28.5			
Gew.: Rail weight, specific (kg/m)	1.4	1.4			

Available options for BM SR 15

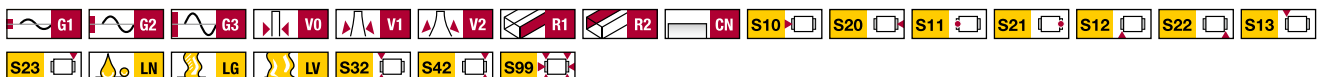


BM WR 15 Dimensions and capacities



	BM WR 15-A	BM WR 15-C	BM WR 15-F		
A: System height	24	28	24		
B: Carriage width	47	34	34		
B2: Distance between locating faces	16	9.5	9.5		
C1: Position of center front lube hole	4	8	4		
C3: Position of lateral lube hole	4	8	4		
C4: Position of lateral lube hole	9.3	11.3	11.3		
C7: Position of top lube hole	9.05	11.05	11.05		
J: Carriage height	20.4	24.4	20.4		
L: Carriage length	56.6	56.6	56.6		
L1: Exterior fixing hole spacing	30	26	26		
L2: Interior fixing hole spacing	26	-	-		
L6: Steel body length	39.6	39.6	39.6		
N: Lateral fixing hole spacing	38	26	26		
O: Reference face height	7	6	5.5		
Capacities and weights					
C0: Static load capacity (N)	16660	16660	16660		
C100: Dynamic load capacity (N)	7650	7650	7650		
MOQ: Static cross moment capacity (Nm)	154	154	154		
MOL: Static longitud. moment capacity (Nm)	124	124	124		
MQ: Dyn. cross moment capacity (Nm)	71	71	71		
ML: Dyn. longitud. moment capacity (Nm)	57	57	57		
Gew: Carriage weight (kg)	0.2	0.3	0.2		

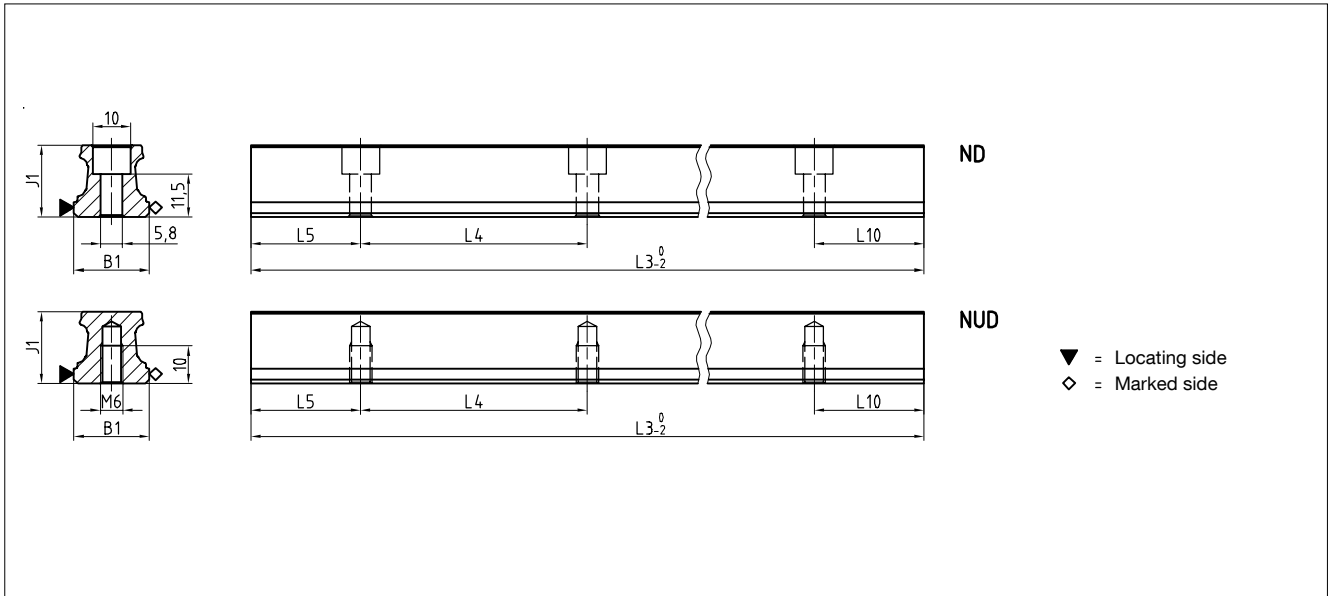
Available options for BM WR 15



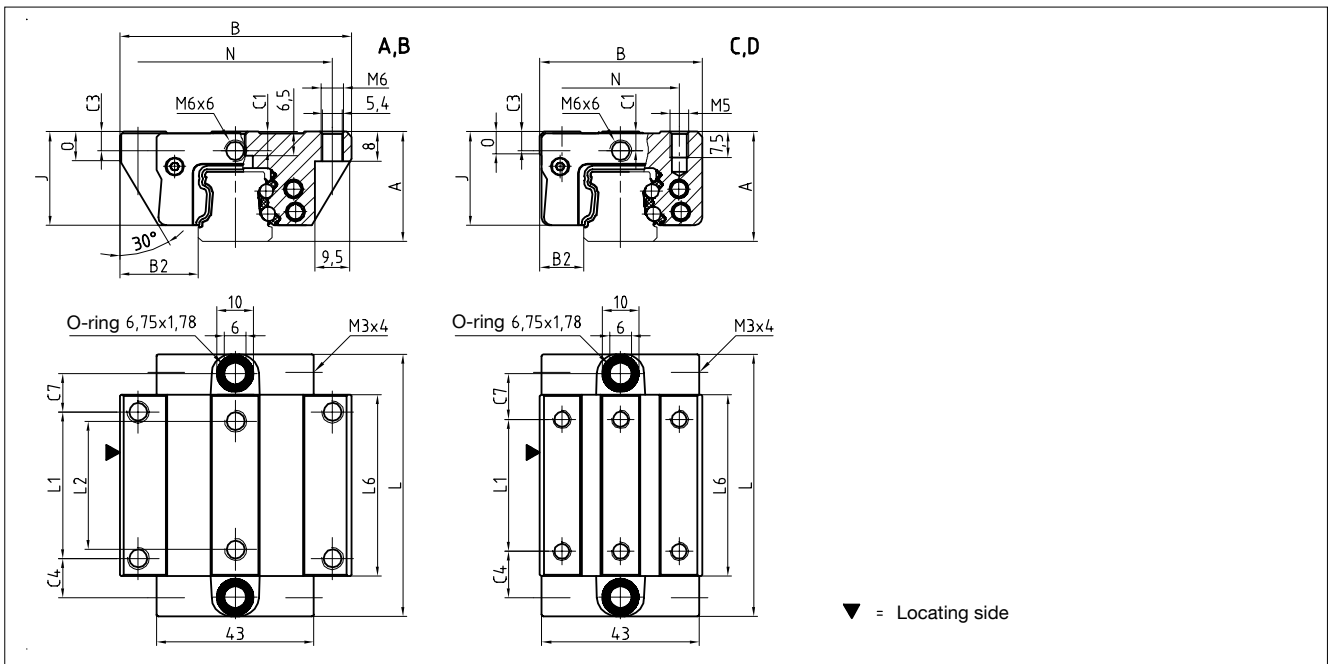
5.2 Technical data and options

BM WR / BM SR Size 20

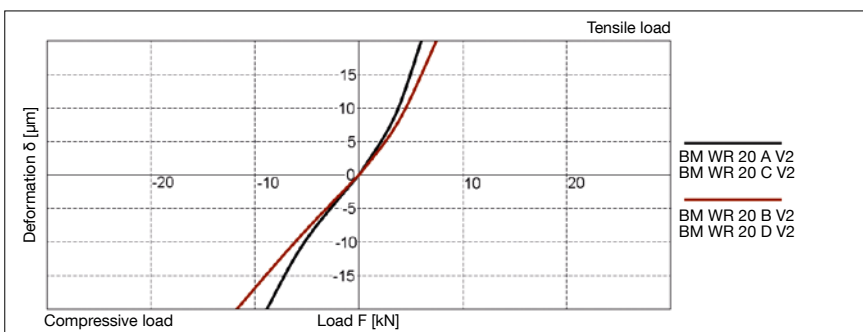
BM SR 20 Drawings



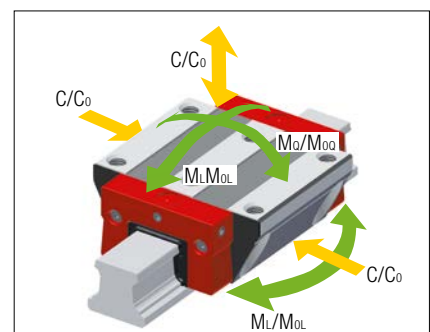
BM WR 20 Drawings



BM WR 20 Rigidity diagram



BM WR 20 Load rating



5.2 Technical data and options

BM WR / BM SR Size 20

BM SR 20 Dimensions



	BM SR 20-ND	BM SR 20-NUD			
B1: Rail width	20	20			
J1: Rail height	19	19			
L3: Rail length max.	3000	3000			
L4: Spacing of fixing holes	60	60			
L5/L10: Position of first/last fixing hole	28.5	28.5			
Gew.: Rail weight, specific (kg/m)	2.2	2.3			

Available options for BM SR 20



BM WR 20 Dimensions and capacities

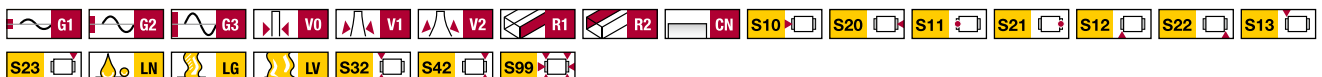


	BM WR 20-A	BM WR 20-B	BM WR 20-C	BM WR 20-D		
A: System height	30	30	30	30		
B: Carriage width	63	63	44	44		
B2: Distance between locating faces	21.5	21.5	12	12		
C1: Position of center front lube hole	5.2	5.2	5.2	5.2		
C3: Position of lateral lube hole	5.2	5.2	5.2	5.2		
C4: Position of lateral lube hole	10.75	18.75	12.75	13.75		
C7: Position of top lube hole	10.25	18.25	12.25	13.25		
J: Carriage height	25.5	25.5	25.5	25.5		
L: Carriage length	71.5	87.5	71.5	87.5		
L1: Exterior fixing hole spacing	40	40	36	50		
L2: Interior fixing hole spacing	35	35	-	-		
L6: Steel body length	49.5	65.5	49.5	65.5		
N: Lateral fixing hole spacing	53	53	32	32		
O: Reference face height	8	8	6	6		

Capacities and weights

C0: Static load capacity (N)	26690	34935	26690	34935		
C100: Dynamic load capacity (N)	12240	14790	12240	14790		
MOQ: Static cross moment capacity (Nm)	317	417	317	417		
MOL: Static longitud. moment capacity (Nm)	248	421	248	421		
MQ: Dyn. cross moment capacity (Nm)	145	175	145	175		
ML: Dyn. longitud. moment capacity (Nm)	114	177	114	177		
Gew: Carriage weight (kg)	0.5	0.6	0.4	0.5		

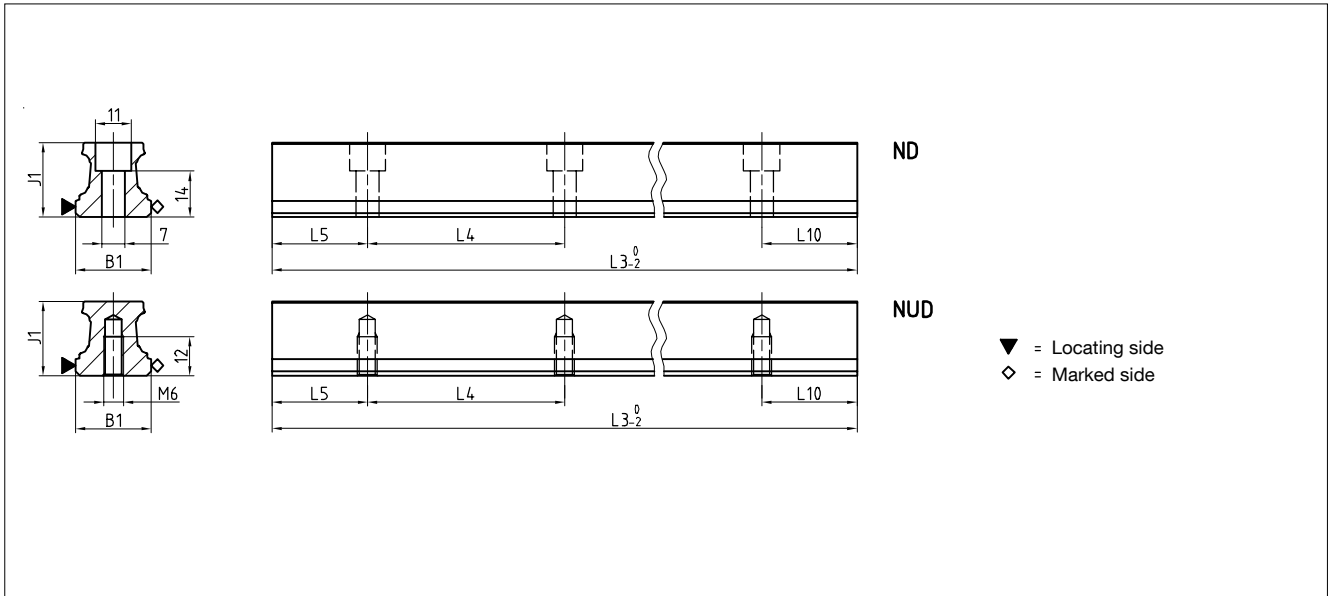
Available options for BM WR 20



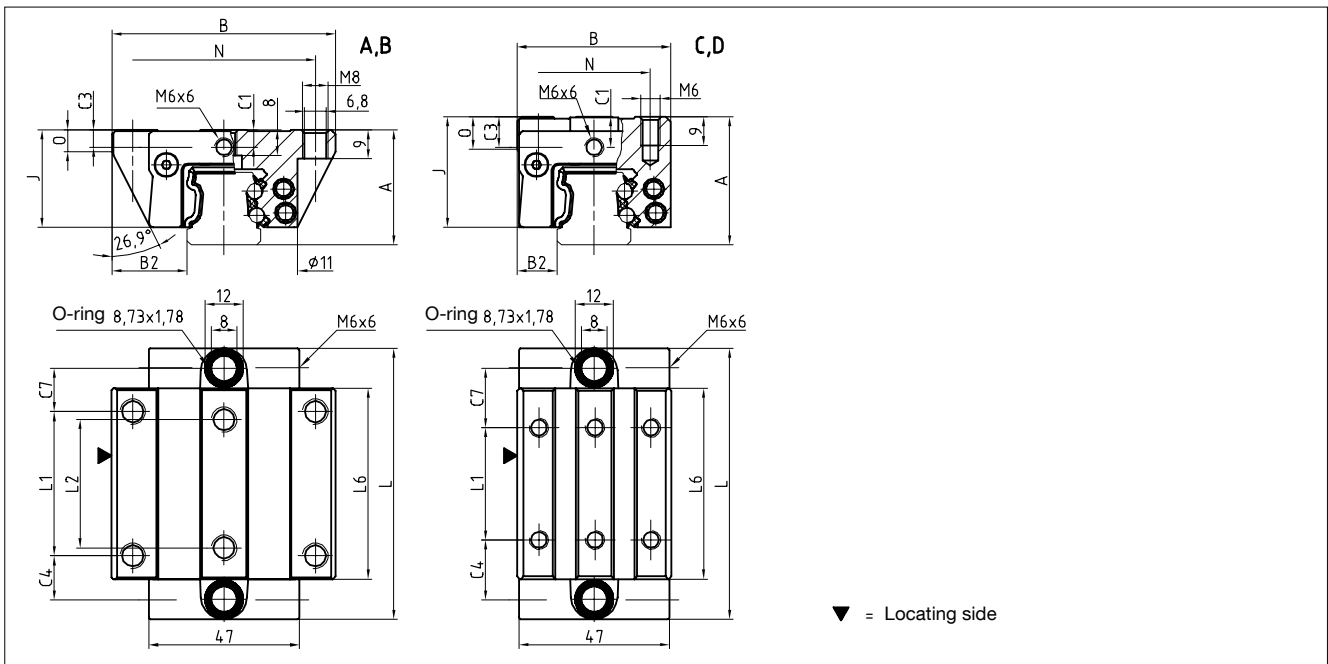
5.2 Technical data and options

BM WR / BM SR Size 25

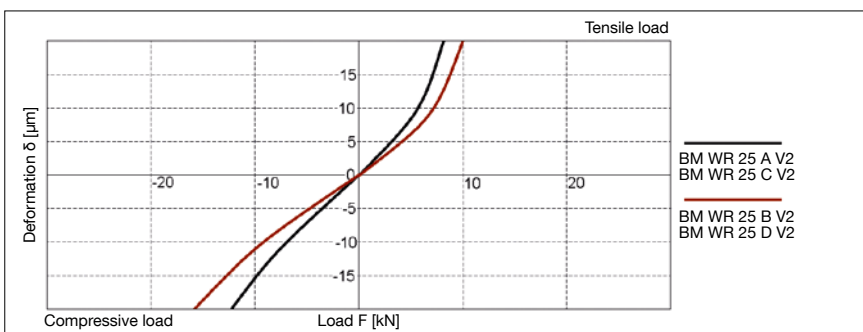
BM SR 25 Drawings



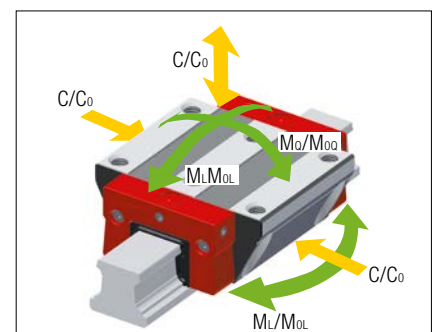
BM WR 25 Drawings



BM WR 25 Rigidity diagram



BM WR 25 Load rating



5.2 Technical data and options

BM WR / BM SR Size 25

BM SR 25 Dimensions



	BM SR 25-ND	BM SR 25-NUD			
B1: Rail width	23	23			
J1: Rail height	22.7	22.7			
L3: Rail length max.	3000	3000			
L4: Spacing of fixing holes	60	60			
L5/L10: Position of first/last fixing hole	28.5	28.5			
Gew.: Rail weight, specific (kg/m)	3.0	3.1			

Available options for BM SR 25



BM WR 25 Dimensions and capacities

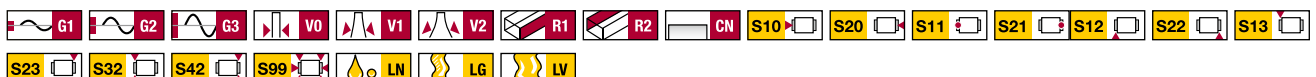


	BM WR 25-A	BM WR 25-B	BM WR 25-C	BM WR 25-D		
A: System height	36	36	40	40		
B: Carriage width	70	70	48	48		
B2: Distance between locating faces	23.5	23.5	12.5	12.5		
C1: Position of center front lube hole	5.5	5.5	9.5	9.5		
C3: Position of lateral lube hole	5.5	5.5	9.5	9.5		
C4: Position of lateral lube hole	13.75	23.35	18.75	20.75		
C7: Position of top lube hole	13.5	23	18.5	20.5		
J: Carriage height	30.5	30.5	34.5	34.5		
L: Carriage length	84.5	103.5	84.5	103.5		
L1: Exterior fixing hole spacing	45	45	35	50		
L2: Interior fixing hole spacing	40	40	-	-		
L6: Steel body length	59.5	78.5	59.5	78.5		
N: Lateral fixing hole spacing	57	57	35	35		
O: Reference face height	7	7	11	11		

Capacities and weights

C0: Static load capacity (N)	39185	51255	39185	51255		
C100: Dynamic load capacity (N)	17935	21675	17935	21675		
MOQ: Static cross moment capacity (Nm)	536	701	536	701		
MOL: Static longitud. moment capacity (Nm)	436	734	436	734		
MQ: Dyn. cross moment capacity (Nm)	246	297	246	297		
ML: Dyn. longitud. moment capacity (Nm)	200	310	200	310		
Gew: Carriage weight (kg)	0.7	0.9	0.6	0.8		

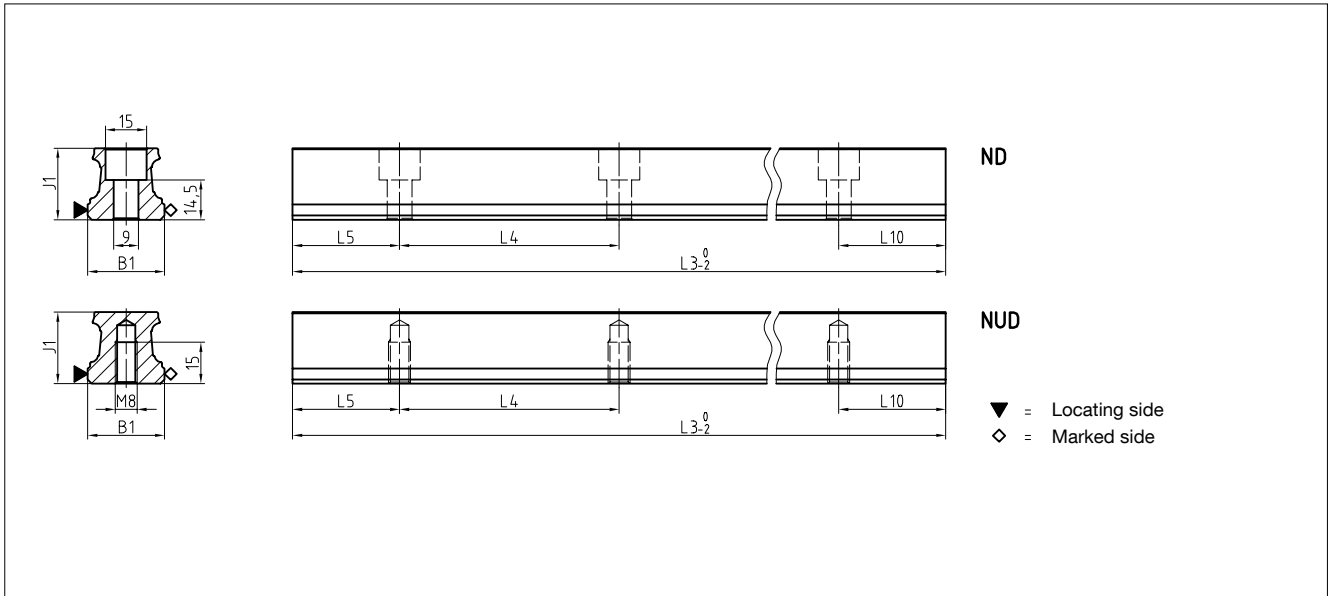
Available options for BM WR 25



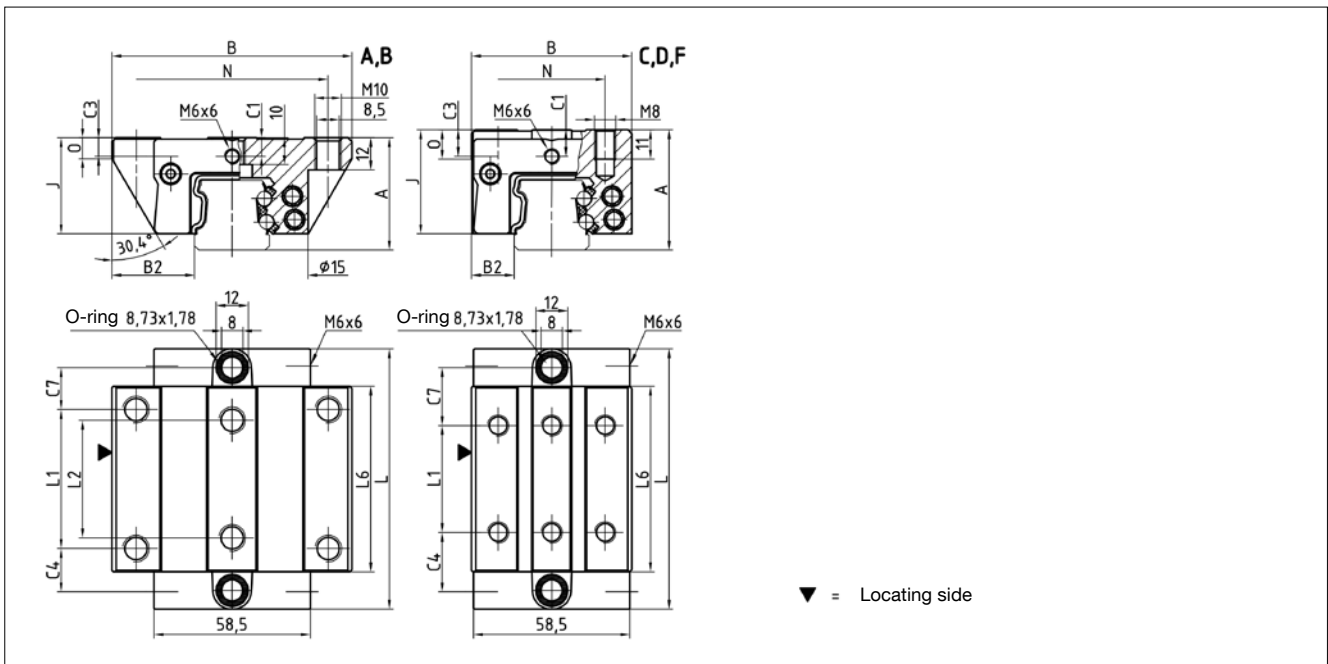
5.2 Technical data and options

BM WR / BM SR Size 30

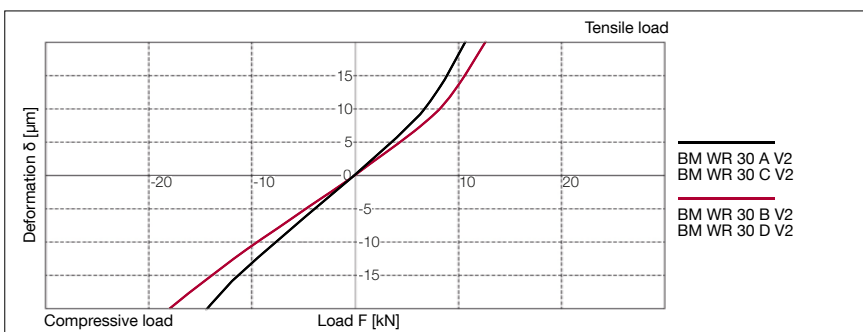
BM SR 30 Drawings



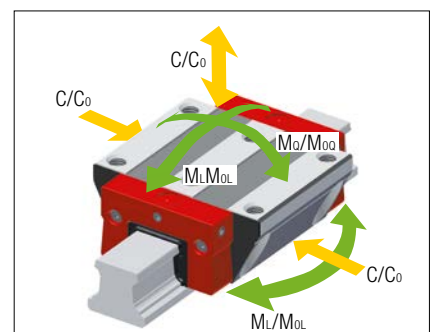
BM WR 30 Drawings



BM WR 30 Rigidity diagram



BM WR 30 Load rating



5.2 Technical data and options

BM WR / BM SR Size 30

BM SR 30 Dimensions



	BM SR 30-ND	BM SR 30-NUD			
B1: Rail width	28	28			
J1: Rail height	26	26			
L3: Rail length max.	3000	3000			
L4: Spacing of fixing holes	80	80			
L5/L10: Position of first/last fixing hole	38.5	38.5			
Gew.: Rail weight, specific (kg/m)	4.3	4.5			

Available options for BM SR 30



BM WR 30 Dimensions and capacities



	BM WR 30-A	BM WR 30-B	BM WR 30-C	BM WR 30-D	BM WR 30-F
A: System height	42	42	45	45	42
B: Carriage width	90	90	60	60	60
B2: Distance between locating faces	31	31	16	16	16
C1: Position of center front lube hole	7	7	10	10	7
C3: Position of lateral lube hole	7	7	10	10	7
C4: Position of lateral lube hole	16.2	27.2	22.2	23.2	22.2
C7: Position of top lube hole	15.7	26.7	21.7	22.7	21.7
J: Carriage height	35.9	35.9	38.9	38.9	35.9
L: Carriage length	97.4	119.4	97.4	119.4	97.4
L1: Exterior fixing hole spacing	52	52	40	60	40
L2: Interior fixing hole spacing	44	44	-	-	-
L6: Steel body length	69.4	91.4	69.4	91.4	69.4
N: Lateral fixing hole spacing	72	72	40	40	40
O: Reference face height	8	8	11	11	11

Capacities and weights

C0: Static load capacity (N)	54145	70805	54145	70805	54145
C100: Dynamic load capacity (N)	24820	30005	24820	30005	24820
MOQ: Static cross moment capacity (Nm)	921	1202	921	1202	921
MOL: Static longitud. moment capacity (Nm)	705	1182	705	1182	705
MQ: Dyn. cross moment capacity (Nm)	422	509	422	509	422
ML: Dyn. longitud. moment capacity (Nm)	323	501	323	501	323
Gew: Carriage weight (kg)	1.2	1.5	1.0	1.3	0.9

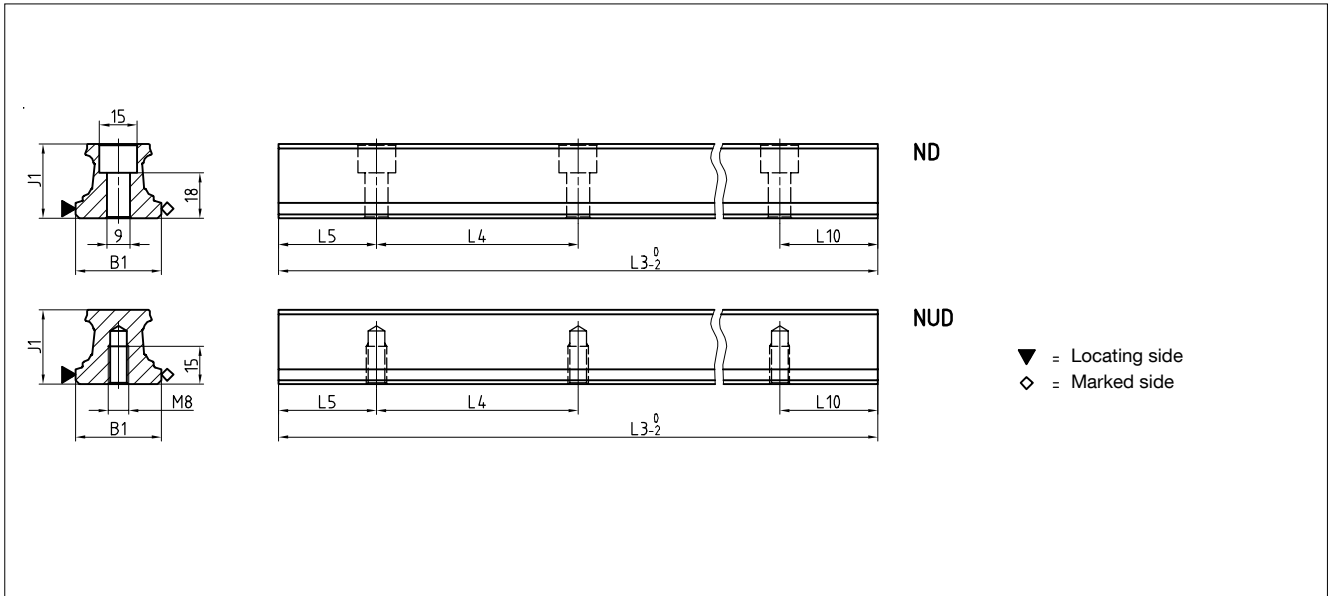
Available options for BM WR 30



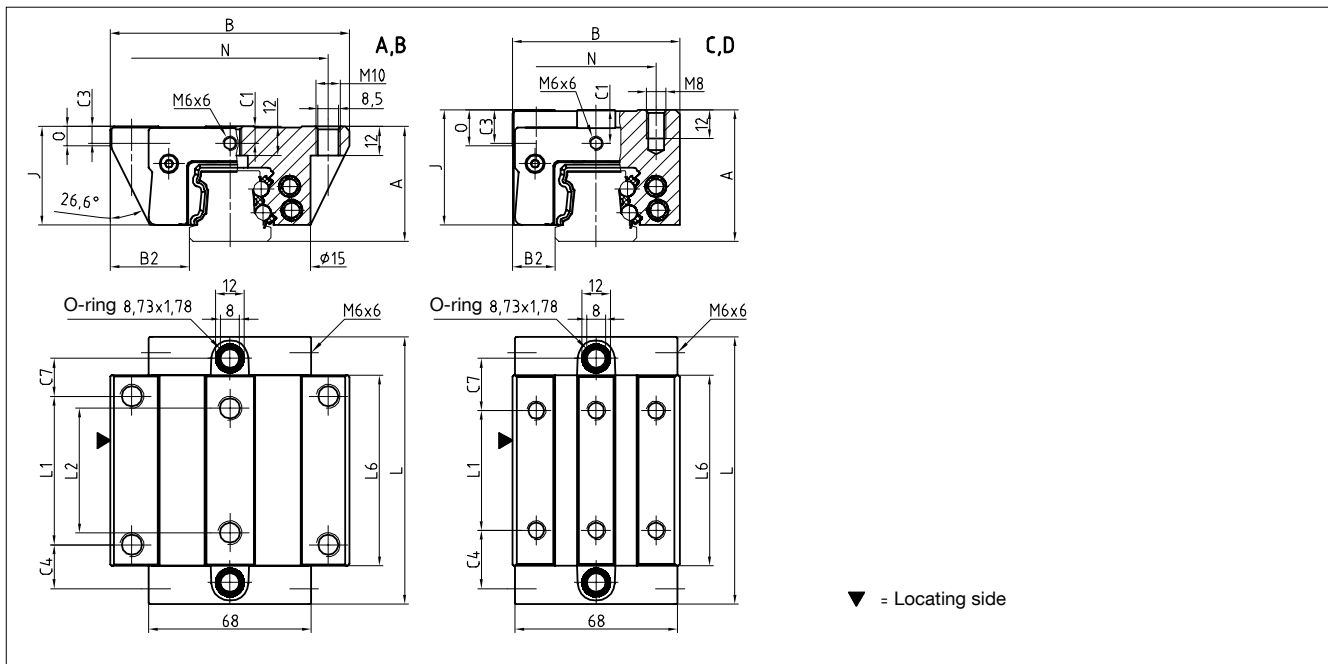
5.2 Technical data and options

BM WR / BM SR Size 35

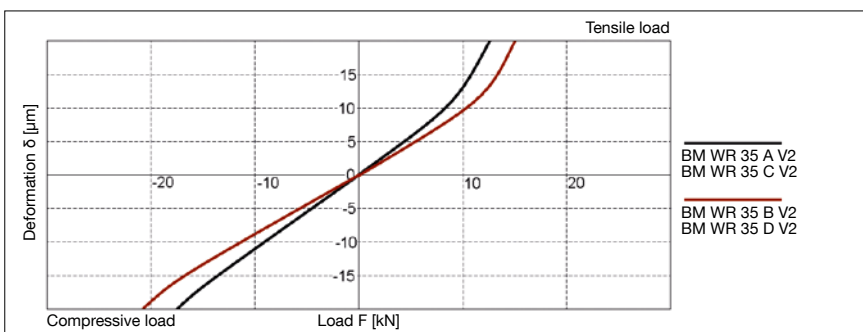
BM SR 35 Drawings



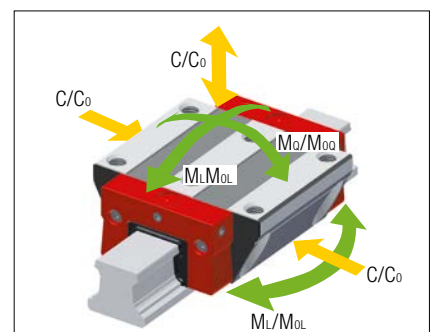
BM WR 35 Drawings



BM WR 35 Rigidity diagram



BM WR 35 Load rating



5.2 Technical data and options

BM WR / BM SR Size 35

BM SR 35 Dimensions



	BM SR 35-ND	BM SR 35-NUD			
B1: Rail width	34	34			
J1: Rail height	29.5	29.5			
L3: Rail length max.	3000	3000			
L4: Spacing of fixing holes	80	80			
L5/L10: Position of first/last fixing hole	38.5	38.5			
Gew.: Rail weight, specific (kg/m)	5.4	5.7			

Available options for BM SR 35



BM WR 35 Dimensions and capacities

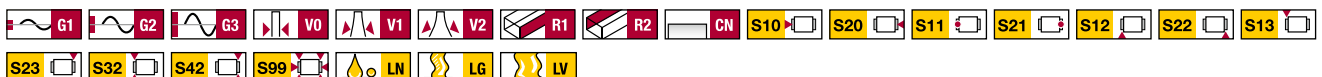


	BM WR 35-A	BM WR 35-B	BM WR 35-C	BM WR 35-D		
A: System height	48	48	55	55		
B: Carriage width	100	100	70	70		
B2: Distance between locating faces	33	33	18	18		
C1: Position of center front lube hole	7	7	14	14		
C3: Position of lateral lube hole	7	7	14	14		
C4: Position of lateral lube hole	18.3	31.05	24.3	26.05		
C7: Position of top lube hole	15.8	28.55	21.8	23.55		
J: Carriage height	41	41	48	48		
L: Carriage length	111.6	137.1	111.6	137.1		
L1: Exterior fixing hole spacing	62	62	50	72		
L2: Interior fixing hole spacing	52	52	-	-		
L6: Steel body length	79.6	105.1	79.6	105.1		
N: Lateral fixing hole spacing	82	82	50	50		
O: Reference face height	8	8	15	15		

Capacities and weights

C0: Static load capacity (N)	71740	93755	71740	93755		
C100: Dynamic load capacity (N)	32895	39695	32895	39695		
MOQ: Static cross moment capacity (Nm)	1331	1741	1331	1741		
MOL: Static longitud. moment capacity (Nm)	1064	1788	1064	1788		
MQ: Dyn. cross moment capacity (Nm)	610	737	610	737		
ML: Dyn. longitud. moment capacity (Nm)	488	757	488	757		
Gew: Carriage weight (kg)	1.8	2.3	1.7	2.2		

Available options for BM WR 35



BM SR Rails accessories overview

Accessories	BM SR 15	BM SR 20	BM SR 25	BM SR 30	BM SR 35
Plugs:					
Plastic plugs	BRK 15	BRK 20	BRK 25	BRK 30	BRK 35

BM WR Carriages accessories overview

Accessories	BM WR 15	BM WR 20	BM WR 25	BM WR 30	BM WR 35
Additional wipers:					
Additional wipers Viton	ZBV 15	ZBV 20	ZBV 25	ZBV 30	ZBV 35
Metal wiper	ABM 15	ABM 20	ABM 25	ABM 30	ABM 35
Bellows:					
Bellow	-	FBB 20	FBB 25	FBB 30	FBB 35
Adapter plate for bellows (spare part)	-	ZPB 20	ZPB 25	ZPB 30	ZPB 35
End plate for bellows (spare part)	-	EPB 20	EPB 25	EPB 30	EPB 35
Assembly rails:					
Assembly rail	MBM 15	MBM 20	MBM 25	MBM 30	MBM 35
Lubrication plates:					
Lubrication plate	SPL 15-BM	SPL 20-BM	SPL 25-BM	SPL 30-BM	SPL 35-BM
Front plates:					
Cross wiper for front plate (spare part)	QAS 15-STB	QAS 20-STB	QAS 25-STB	QAS 30-STB	QAS 35-STB
Corrosion resistant grease nipples:					
Hydraulic-type grease nipple straight M3	-	-	-	-	-
Hydraulic-type grease nipple straight M6	-	SN 6-V2A	SN 6-V2A	SN 6-V2A	SN 6-V2A
Hydraulic-type grease nipple 45°	-	SN 6-45-V2A	SN 6-45-V2A	SN 6-45-V2A	SN 6-45-V2A
Hydraulic-type grease nipple 90°	-	SN 6-90-V2A	SN 6-90-V2A	SN 6-90-V2A	SN 6-90-V2A
Flush type grease nipple M3 45°	SN 3-T-45	SN 3-T-45	-	-	-
Grease gun for SN 3-T und SN 6-T	SFP-T3	SFP-T3	SFP-T3	SFP-T3	SFP-T3
Corrosion resistant grease adapters:					
Straight screw-in connection M3	SA 3-D3	SA 3-D3	-	-	-
Straight screw-in connection M6	-	SA 6-D4	SA 6-D4	SA 6-D4	SA 6-D4
Lubrication adapter M8 hexagon head long	-	SA 6-6KT-M8x1-L	SA 6-6KT-M8x1-L	SA 6-6KT-M8x1-L	SA 6-6KT-M8x1-L
Swivel screw connection for pipe d=3 mm	SV 3-D3	SV 3-D3	-	-	-
Swivel screw connection for pipe d=4 mm	-	SV 6-D4	SV 6-D4	SV 6-D4	SV 6-D4
Swivel screw connection M8	-	SV 6-M8x1	SV 6-M8x1	SV 6-M8x1	SV 6-M8x1

Other lubrication systems upon request

5.4 Order key

Individual guide rails and carriages are ordered in accordance with the order codes described below.

Q.v. chapter 2.1 and chapter 5.3 for the order key for accessories.

Separate order codes are used in each case for rails, carriages and accessories. This also applies to different versions of rails and carriages.

All guide components are supplied individually as standard, i.e. unassembled.

If required, SCHNEEBERGER can also supply rails and carriages assembled incl. accessories as complete systems. Please note the ordering instructions in chapter 2.4 if this applies.

Order code for BM SR Rails

	2x	BM SR	25	-N	-G3	-KC	-R1	-958	-29	-29	-CN
Quantity											
Rail											
Size											
Type											
Accuracy											
Straightness											
Reference side											
Rail length L3											
Position of first fixing hole L5											
Position of last fixing hole L10											
Coating											

NB

Q.v. chapter 5.1 to 5.3 for an overview of types, details of shapes, available options and accessories.

Q.v. chapter 2 for a description of the options.

If possible, standard lengths are preferred for L3 rail length.

These are calculated with the table values in chapter 5.2 using the following formula: $L3 = n \times L4 + L5 + L10 \leq L3_{max}$.

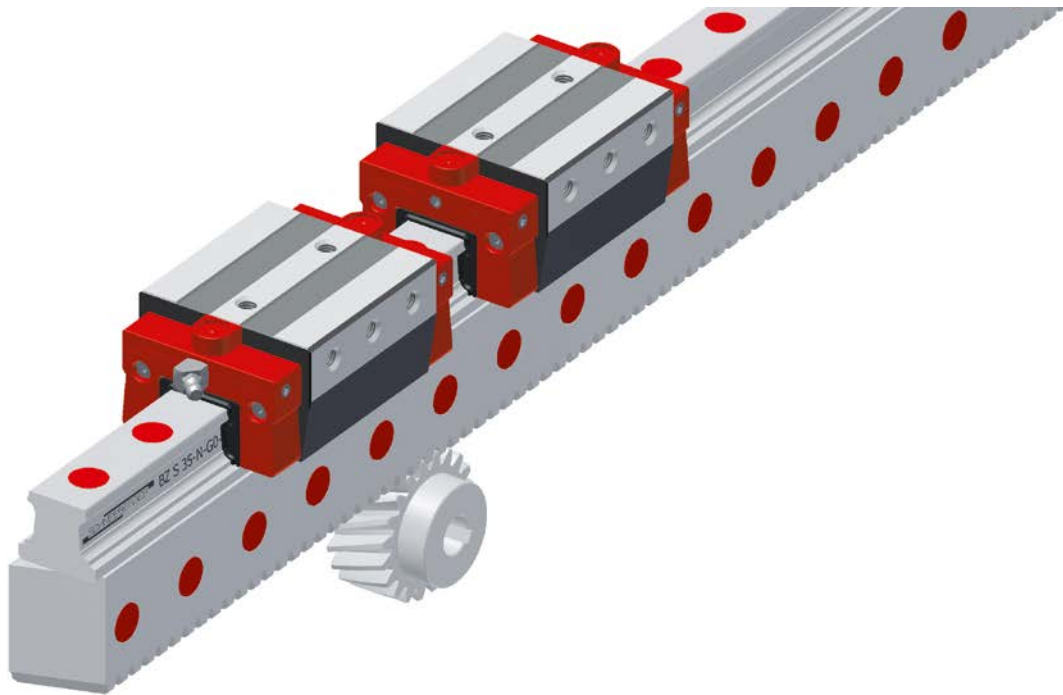
Order code for BM WR Carriages

	4x	BM WR	25	-A	-G3	-V1	-R1	-CN	-S99	-LN
Quantity										
Carriage										
Size										
Type										
Accuracy										
Preload										
Reference side										
Coating										
Lube connection										
Lubrication as delivered condition										

NB

Q.v. chapter 5.1 to 5.3 for an overview of types, details of shapes, available options and accessories.

Q.v. chapter 2 for a description of the options.

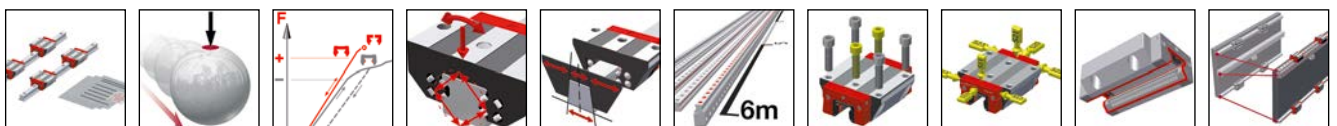


With its BZ MONORAIL, SCHNEEBERGER offers linear guide systems that extend the characteristic properties of the company's BM MONORAIL profile rail guides to include the advantages of an integral and high-precision rack drive.

Customers gain the following decisive benefits:

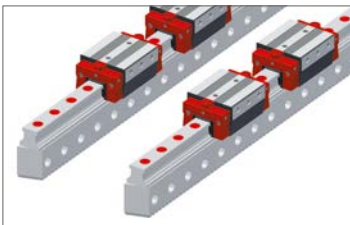
- One-piece system up to 6000 mm long
- High-quality gear rack (hardened and ground)
- Cost savings of up to 25% due to reduced outlay on manufacturing and assembly
- Superlative operating properties, high load carrying capacity and a long service life based on our proven MONORAIL linear guides
- Oriented towards customer requirements due to the large number of carriage types available with BM ball guides and a comprehensive range of accessories and customised gear types and grades.

Features of System MONORAIL BZ



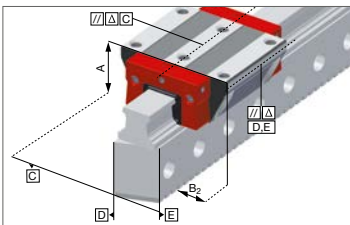
Details see chapter 1

6.1 Overview of types, sizes and available options 108



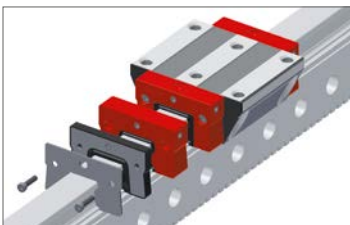
Product overview BZ Rails	108
Product overview BM Carriages	109

6.2 Technical data and options 110



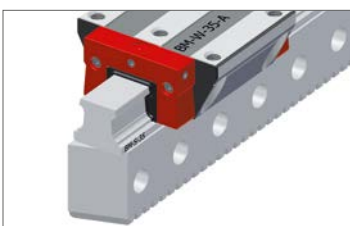
BZ Size 25	110
BZ Size 35	112

6.3 Accessories MONORAIL BZ 114



Accessories overview	114
BZ Rails accessory details	115
BM Carriages accessory details	83

6.4 Order key 118

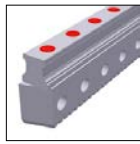


Order code for BZ Rails	118
Order code for BM Carriages	118

6.1 Overview of types, sizes and available options

BZ Rails

Product overview BZ Rails



NX
standard, half pitch

Buildsizes / Rail build forms

Size 25	BZ S 25-NX
Size 35	BZ S 35-NX

Features

Screwable from the side	●
Good accessibility of the fixing screws	●
Great single-part system length	●

Available options for BZ Rails

Details see chapter 2

Toothing quality

Q6S	Q6, smooth, milled
Q5H	Q5, hard, ground

Reference side

R1	Ref. at bottom
R2	Ref. on top

Coating

CN	None
CH	Hard chromium

Available options for MR Rails

Details see chapter 6.3

Plugs








Pinions

Others

6.1 Overview of types, sizes and available options

BZ Carriages





Product overview BM Carriages

							
	A standard	B standard, long	C compact, high	D compact, high, long	E compact, high, for lateral fixation	F compact	G compact, long
Buildsizes / Carriage build forms							
Size 25	BM W 25-A	BM W 25-B	BM W 25-C	BM W 25-D	BM W 25-E	BM W 25-F	BM W 25-G
Size 35	BM W 35-A	BM W 35-B	BM W 35-C	BM W 35-D	BM W 35-E	BM W 35-F	BM W 35-G
Features							
Screwable from above	●	●	●	●		●	●
Screwable from below	●	●					
Screwable from the side					●		
For high loads and moments		●		●			●
For medium loads and moments	●		●		●	●	
For limited installation space						●	●



Available options for BM Carriages

Details see chapter 2



Accuracy

-  G0 Highly accurate
-  G1 Very accurate
-  G2 Accurate
-  G3 Standard



Preload

-  V0 Very low
-  V1 Low
-  V2 Medium
-  V3 High

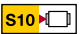

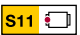



Reference side

-  R1 Ref. at bottom
-  R2 Ref. on top


Coating

-  CN None
-  CH Hard chromium




Lube connections

-  S10 Left center
-  S20 Right center
-  S11 Top left
-  S21 Top right
-  S12 Lower left side
-  S22 Lower right side

-  S13 Upper left side
-  S23 Upper right side
-  S32 Left side
-  S42 Right side

-  S99 S10+S12+S13+S20+S22+S23 locked using threaded pins

Lubrication

-  LN Oil protect
-  LG Grease protect
-  LV Full greasing

Available accessories for MR Carriages

Details see chapter 4.3 und 2.1

Additional wipers
Metal wiper

Bellows
Lube nipples

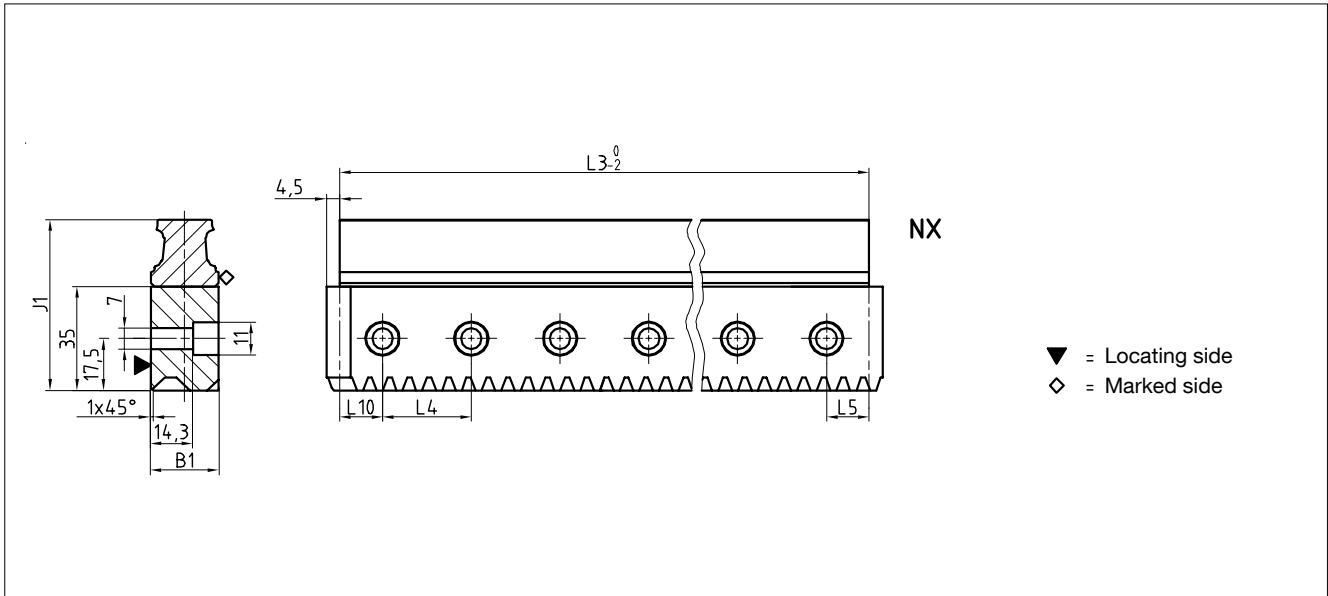
Assembly rails
Lube adapters

Lubrication plates

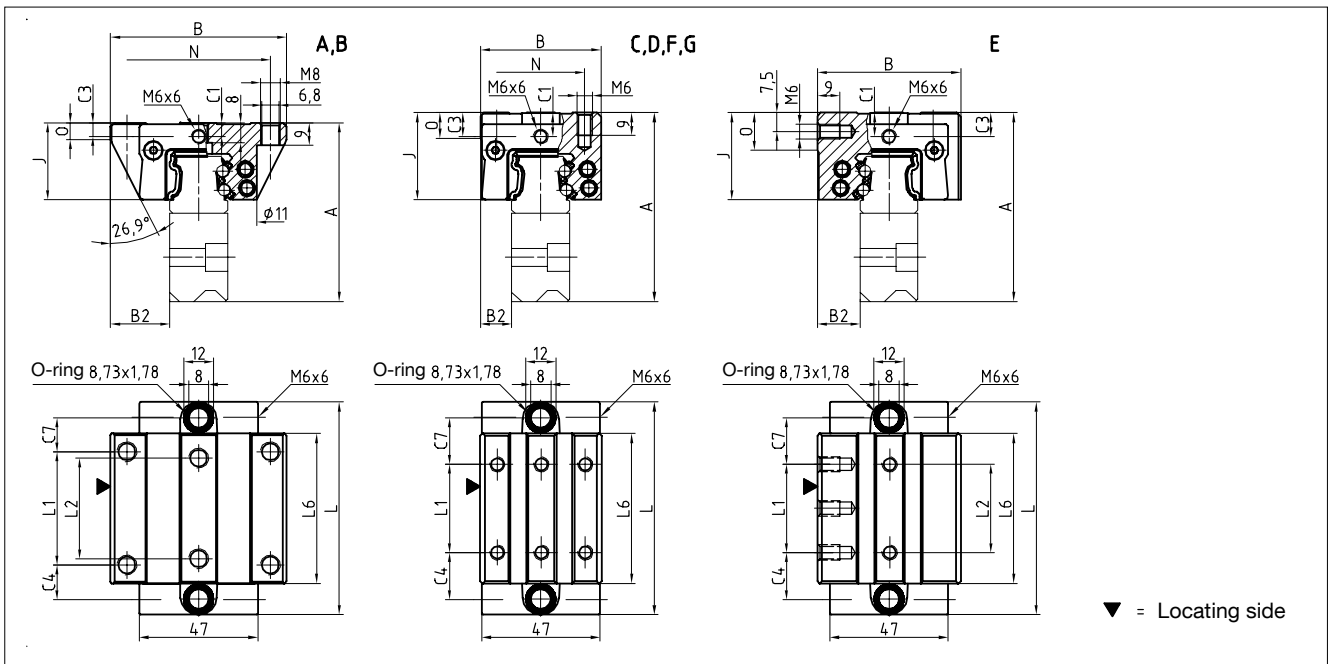
6.2 Technical data and options

BZ Size 25

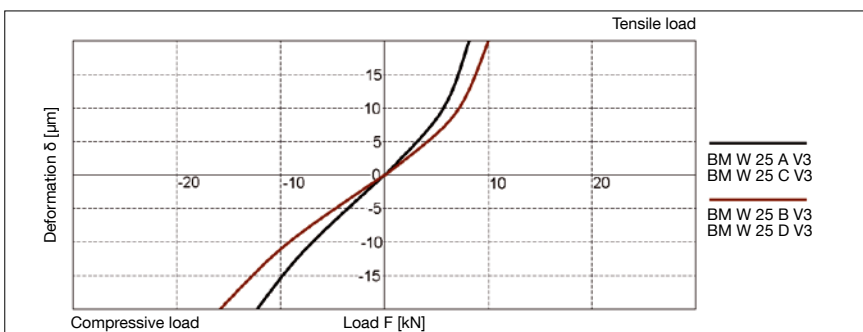
BZ S 25 Drawings



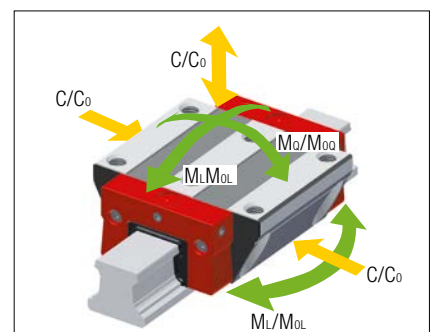
BM W 25 Drawings – BZ



BM W 25 Rigidity diagram



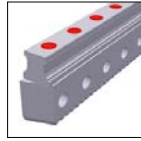
BM W 25 Load rating



6.2 Technical data and options

BZ Size 25

BZ S 25 Dimensions



		BZ S 25-NX				
B1:	Rail width	23				
J1:	Rail height	57.7				
L3:	Rail length max.	6000				
L4:	Spacing of fixing holes	30				
L5/L10:	Position of first/last fixing hole	15				
m:	Modul	2				
α :	Helix angle	19°31'42"				
Gew.:	Rail weight, specific (kg/m)	8.9				

Available options for BZ S 25



BM W 25 Dimensions and capacities



	BM W 25-A	BM W 25-B	BM W 25-C	BM W 25-D	BM W 25-E	BM W 25-F	BM W 25-G
A:	System height	71	71	75	75	75	71
B:	Carriage width	70	70	48	48	57	48
B2:	Distance between locating faces	23.5	23.5	12.5	12.5	17	12.5
C1:	Position of center front lube hole	5.5	5.5	9.5	9.5	9.5	5.5
C3:	Position of lateral lube hole	5.5	5.5	9.5	9.5	9.5	5.5
C4:	Position of lateral lube hole	13.75	23.25	18.75	20.75	18.75	20.75
C7:	Position of top lube hole	13.5	23	18.5	20.5	18.5	20.5
J:	Carriage height	30.5	30.5	34.5	34.5	34.5	30.5
L:	Carriage length	84.5	103.5	84.5	103.5	84.5	103.5
L1:	Exterior fixing hole spacing	45	45	35	50	35	50
L2:	Interior fixing hole spacing	40	40	-	-	35	-
L6:	Steel body length	59.5	78.5	59.5	78.5	59.5	78.5
N:	Lateral fixing hole spacing	57	57	35	35	-	35
O:	Reference face height	7	7	11	11	15	7.1
Capacities and weights							
C0:	Static load capacity (N)	46100	60300	46100	60300	46100	60300
C100:	Dynamic load capacity (N)	21100	25500	21100	25500	21100	25500
MOQ:	Static cross moment capacity (Nm)	631	825	631	825	631	825
MOL:	Static longitud. moment capacity (Nm)	513	836	513	863	513	863
MQ:	Dyn. cross moment capacity (Nm)	289	349	289	349	289	349
ML:	Dyn. longitud. moment capacity (Nm)	235	365	235	365	235	365
Gew:	Carriage weight (kg)	0.7	0.9	0.6	0.8	0.7	0.7

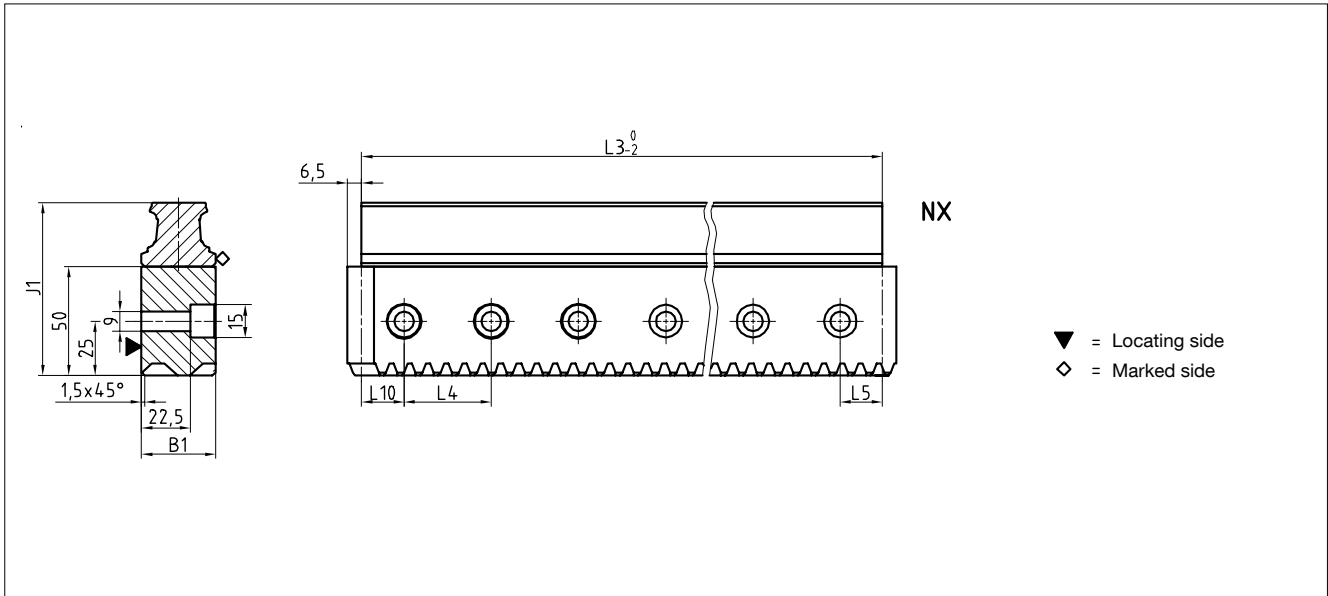
Available options for BM W 25



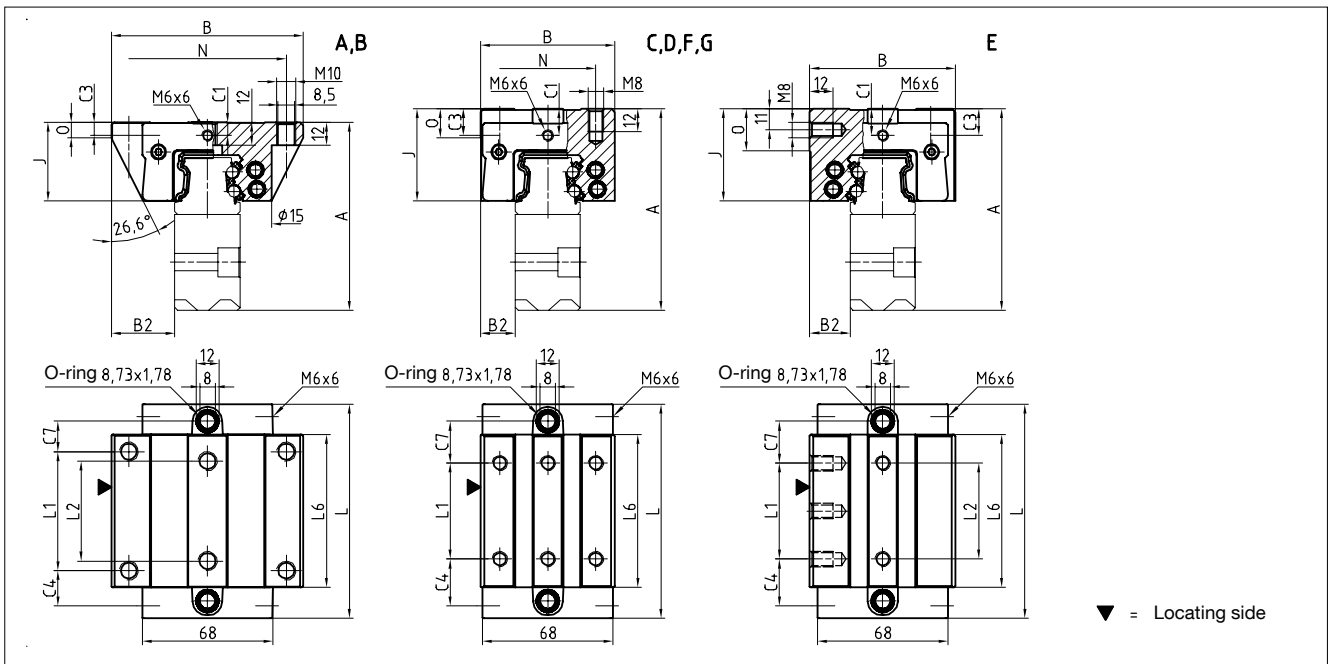
6.2 Technical data and options

BZ Size 35

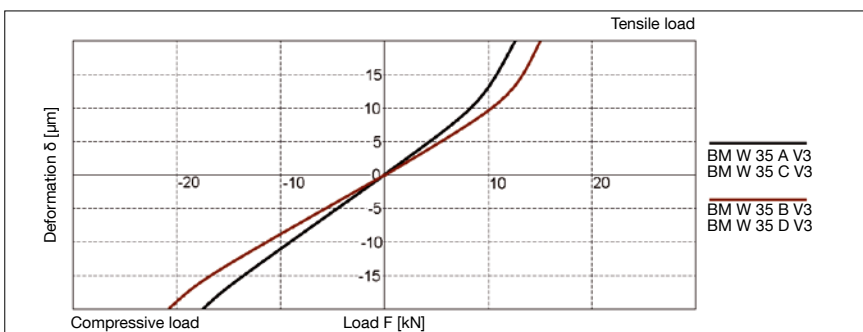
BZ S 35 Drawings



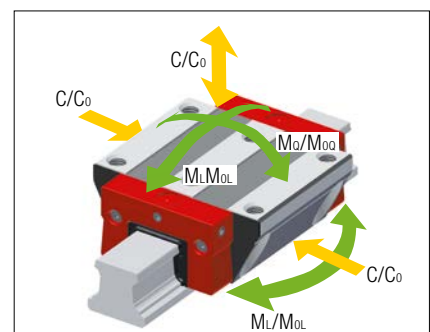
BM W 35 Drawings – BZ



BM W 35 Rigidity diagram



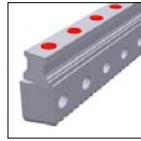
BM W 35 Load rating



6.2 Technical data and options

BZ Size 35

BZ S 35 Dimensions



		BZ S 35-NX				
B1:	Rail width	34				
J1:	Rail height	79.5				
L3:	Rail length max.	6000				
L4:	Spacing of fixing holes	40				
L5/L10:	Position of first/last fixing hole	20				
m:	Modul	2.5				
α:	Helix angle	19°31'42"				
Gew.:	Rail weight, specific (kg/m)	17.9				

Available options for BZ S 35



BM W 35 Dimensions and capacities



	BM W 35-A	BM W 35-B	BM W 35-C	BM W 35-D	BM W 35-E	BM W 35-F	BM W 35-G
A:	System height	98	98	105	105	105	98
B:	Carriage width	100	100	70	70	76	70
B2:	Distance between locating faces	33	33	18	18	21	18
C1:	Position of center front lube hole	7	7	14	14	14	7
C3:	Position of lateral lube hole	7	7	14	14	14	7
C4:	Position of lateral lube hole	18.3	31.05	24.3	26.05	24.3	24.3
C7:	Position of top lube hole	15.8	28.55	21.8	23.55	21.8	23.55
J:	Carriage height	41	41	48	48	48	41
L:	Carriage length	111.6	137.1	111.6	137.1	111.6	137.1
L1:	Exterior fixing hole spacing	62	62	50	72	50	72
L2:	Interior fixing hole spacing	52	52	-	-	50	-
L6:	Steel body length	79.6	105.1	79.6	105.1	79.6	105.1
N:	Lateral fixing hole spacing	82	82	50	50	-	50
O:	Reference face height	8	8	15	15	22	8
Capacities and weights							
C0:	Static load capacity (N)	84400	110300	84400	110300	84400	110300
C100:	Dynamic load capacity (N)	38700	46700	38700	46700	38700	46700
MOQ:	Static cross moment capacity (Nm)	1566	2048	1566	2048	1566	2048
MOL:	Static longitud. moment capacity (Nm)	1252	2104	1252	2104	1252	2104
MQ:	Dyn. cross moment capacity (Nm)	718	867	718	867	718	867
ML:	Dyn. longitud. moment capacity (Nm)	574	891	574	891	574	891
Gew:	Carriage weight (kg)	1.8	2.3	1.7	2.2	1.9	1.8

Available options for BM W 35



6.3 Accessories Overview

BZ Rails accessories overview

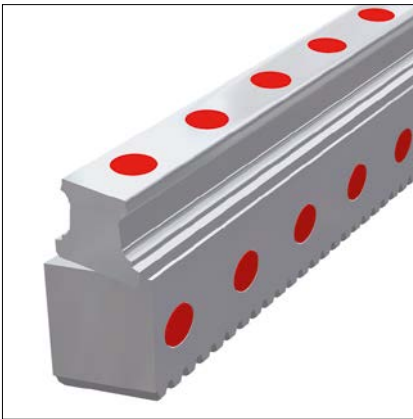
Accessories	BZ S 25	BZ S 35			
Plugs:					
Plastic plugs	BRK 25	BRK 35			
Pinions:					
Pinion with through bore	BZR 25-...	BZR 35-...			
Pinion with through bore and keyway	BZR 25-...-K	BZR 35-...-K			
Pinion with shaft	BZR 25-S-...	BZR 35-S-...			
Pinion with shaft and keyway	BZR 25-S-...-K	BZR 35-S-...-K			
Others:					
Lubricating pinion	BZR 25-L-...-K	BZR 35-L-...			
Pinion hub for lubricating pinion	BZR 25-LN	BZR 35-LN			
Assembly fixture for BZ systems	BZM 25-.....	BZM 35-.....			

BM Carriages accessories overview

Accessories	BM W 25	BM W 35			
Additional wipers:					
Additional wipers Viton	ZBV 25	ZBV 35			
Metal wiper	ABM 25	ABM 35			
Bellows:					
Bellows	FBB 25	FBB 35			
Adapter plate for bellows (spare part)	ZPB 25	ZPB 35			
End plate for bellows (spare part)	EPB 25	EPB 35			
Assembly rails:					
Assembly rail	MBM 25	MBM 35			
Lubrication plates:					
Lubrication plate	SPL 25-BM	SPL 35-BM			
Front plates:					
Cross wiper for front plate (spare part)	QAS 25-STB	QAS 35-STB			
Lube nipples:					
Hydraulic-type grease nipple straight	SN 6	SN 6			
Hydraulic-type grease nipple 45°	SN 6-45	SN 6-45			
Hydraulic-type grease nipple 90°	SN 6-90	SN 6-90			
Flush type grease nipple M3	-	-			
Flush type grease nipple M6	SN 6-T	SN 6-T			
Grease gun for SN 3-T und SN 6-T	SFP-T3	SFP-T3			
Lube adapters:					
Straight screw-in connection M3	-	-			
Lubrication adapter M8 round-head	SA 6-RD-M8	SA 6-RD-M8			
Lubrication adapter M8 hexagon head	-	SA 6-GKT-M8			
Lubrication adapter G1/8 hexagon head	-	SA 6-GKT-G1/8			
Swivel screw connection for pipe d=4 mm	SV 6-D4	SV 6-D4			
Swivel screw connection M6	SV 6-M6	SV 6-M6			
Swivel screw connection M6 long	SV 6-M6-L	SV 6-M6-L			
Swivel screw connection M8	SV 6-M8	SV 6-M8			
Swivel screw connection M8 long	SV 6-M8-L	SV 6-M8-L			

6.3 Accessories

BZ Rails accessory details



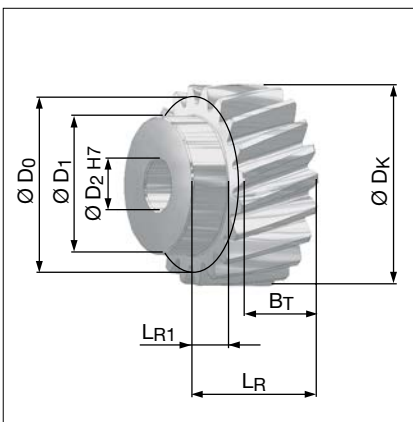
Plastic plugs

If required, the attachment holes on the sides of BZ rails can be closed with BRK plastic plugs. However, this is not essential as the holes are located outside the carriage's area of movement.

Scope of supply: Pack of 25 pcs

Order code: **BRK xx**

xx = Size, sample order: 3 x BRK 25 (75 pcs)



Pinion with through bore

The pinion has hardened and ground helical teeth in quality 6. The bore is soft and can be machined by customers to suit their individual requirements.

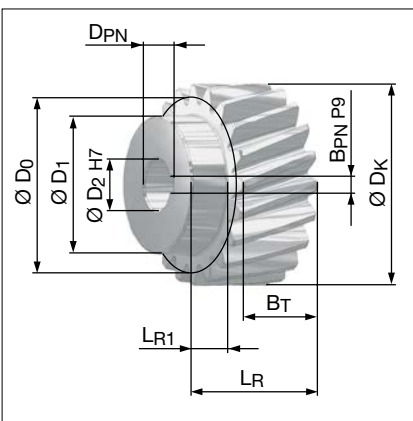
This pinion is also available with a keyway (see next paragraph).

For dimensions, please refer to the BZR xx columns in the table of dimensions.

Order code:

Size 25: **BZR 25-2.0-20-S6**

Size 35: **BZR 35-2.5-20-S6**



Pinion with through bore and keyway

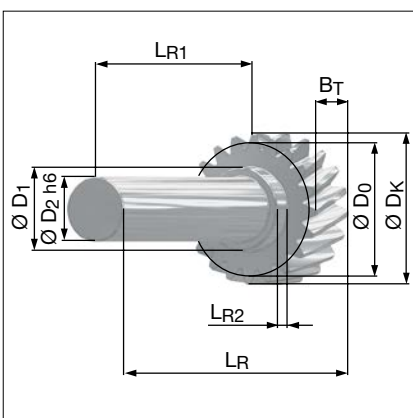
This pinion is similar to the pinion with a through bore but also has a keyway to specification DIN 6885-A to facilitate its attachment to a drive shaft.

For dimensions, please refer to the BZR xx-K columns in the table of dimensions.

Order code:

Size 25: **BZR 25-2.0-20-S6-K**

Size 35: **BZR 35-2.5-20-S6-K**



Pinion with shaft

This pinion with hardened and ground helical teeth in quality 6 has a plain shaft. This is left unhardened to permit subsequent machining.

This pinion is also available with a keyway (see next paragraph).

For dimensions, please refer to the BZR xx-S columns in the table of dimensions.

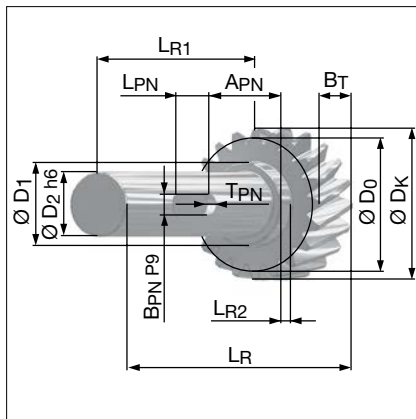
Order code:

Size 25: **BZR 25-S-2.0-20-S6**

Size 35: **BZR 35-S-2.5-20-S6**

6.3 Accessories

BZ Rails accessory details



Pinion with shaft and keyway

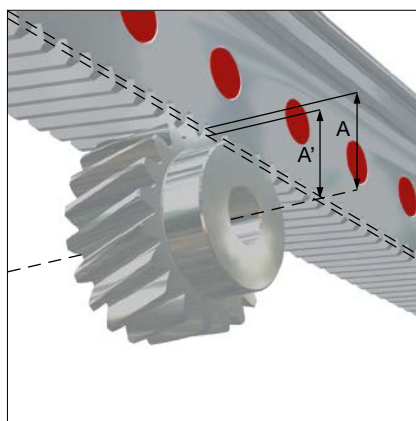
This pinion is similar to the pinion with a shaft, but also has a keyway to specification DIN 6885-A for attachment.

For dimensions, please refer to the BZR xx-S-K columns in the table of dimensions.

Order code:

Size 25: **BZR 25-S-2.0-20-S6-K**

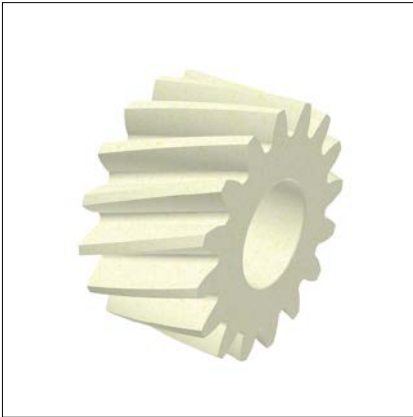
Size 35: **BZR 35-S-2.5-20-S6-K**



Measure A und A'

Dimension table pinions

	BZR 25	BZR 35	BZR 25-K	BZR 35-K	BZR 25-S	BZR 35-S	BZR 25-S-K	BZR 35-S-K
z: Number of teeth	20	20	20	20	20	20	20	20
m: Module	2.0	2.5	2.0	2.5	2.0	2.5	2.0	2.5
α : Helix angle	19°31'42"	19°31'42"	19°31'42"	19°31'42"	19°31'42"	19°31'42"	19°31'42"	19°31'42"
A: Distance axis - reference circle	21.22	26.53	21.22	26.53	21.22	26.53	21.22	26.53
A': Distance axis - tooth crest of rack	19.22	24.03	19.22	24.03	19.22	24.03	19.22	24.03
BT: Tooth width	20	25	20	25	20	25	20	25
DK: Outside diameter	46.44	58.05	46.44	58.05	46.44	58.05	46.44	58.05
D0: Reference diameter	42.44	53.05	42.44	53.05	42.44	53.05	42.44	53.05
D1: Shoulder diameter	35	40	35	40	32	32	32	32
D2: Bore / shaft diameter	15	15	15	15	25	25	25	25
LR: Total length	30	37	30	37	140	145	140	145
LR1: Shaft length	10	12	10	12	120	120	120	120
LR2: Shoulder length	-	-	-	-	8	8	8	8
APN: Keyway distance	-	-	-	-	-	-	43.5	43.5
BPN: Keyway width	-	-	5	5	-	-	8	8
DPN: Diameter of bore with keyway	-	-	17.3	17.3	-	-	-	-
LPN: Keyway length	-	-	-	-	-	-	25	25
TPN: Keyway depth	-	-	-	-	-	-	4	4

**Lubricating pinion**

Felt lubricating pinions are available to lubricate the racks. These can be supplied with oil either manually or with an automatic lubrication system.

Order code:

Size 25: **BZR 25-L-2.0-16-S**

Size 35: **BZR 35-L-2.5-16-S**

**Pinion hub for lubricating pinion**

Pinion hubs are used in combination with lubricating pinions. Lubricating oil can be fed through the hub to the felt pinion through via a special arrangement of lubricating channels.

Order code:

Size 25: **BZR 25-LN**

Size 35: **BZR 35-LN**

**Assembly fixture for BZ systems**

An assembly fixture is available for the alignment of butt-jointed BZ rails. It consists of a rack segment designed to match BZ teeth. During assembly, the segment is inserted into the racks on both sides of the butt joint which connects and aligns them precisely.

Order code:

Size 25: **BZM 25-2.0-7-S5**

Size 35: **BZM 35-2.5-6-S5**

6.4 Order key

Individual guide rails and carriages are ordered in accordance with the order codes described below.

All MONORAIL BM carriages can be used with BZ rails.

Q.v. chapter 2.1, chapter 4.3 and 6.3 for the order key for accessories.

Separate order codes are used in each case for rails, carriages and accessories. This also applies to different versions of rails and carriages.

All guide components are supplied individually as standard, i.e. unassembled.

If required, SCHNEEBERGER can also supply rails and carriages assembled incl. accessories as complete systems. Please note the ordering instructions in chapter 2.4 if this applies.

Order code for BZ Rails

	2x	BZ S	25	-Q6S	-R1	-960	-15	-15	-CN
Quantity									
Rail									
Size									
Tooth quality									
Reference side									
Rail length L3									
Position of first fixing hole L5									
Position of last fixing hole L10									
Coating									

NB

Q.v. chapter 6.1 to 6.3 for an overview of types, details of shapes, available options and accessories.

Q.v. chapter 2 for a description of the options.

If possible, standard lengths are preferred for L3 rail length.

These are calculated with the table values in chapter 6.2 using the following formula: $L3 = n \times L4 + L5 + L10 \leq L3_{max}$.

Order code for BM Carriages

	4x	BM W	25	-A	-G3	-V1	-R1	-CN	-S10	-LN
Quantity										
Carriage										
Size										
Type										
Accuracy										
Preload										
Reference side										
Coating										
Lube connection										
Lubrication as delivered condition										

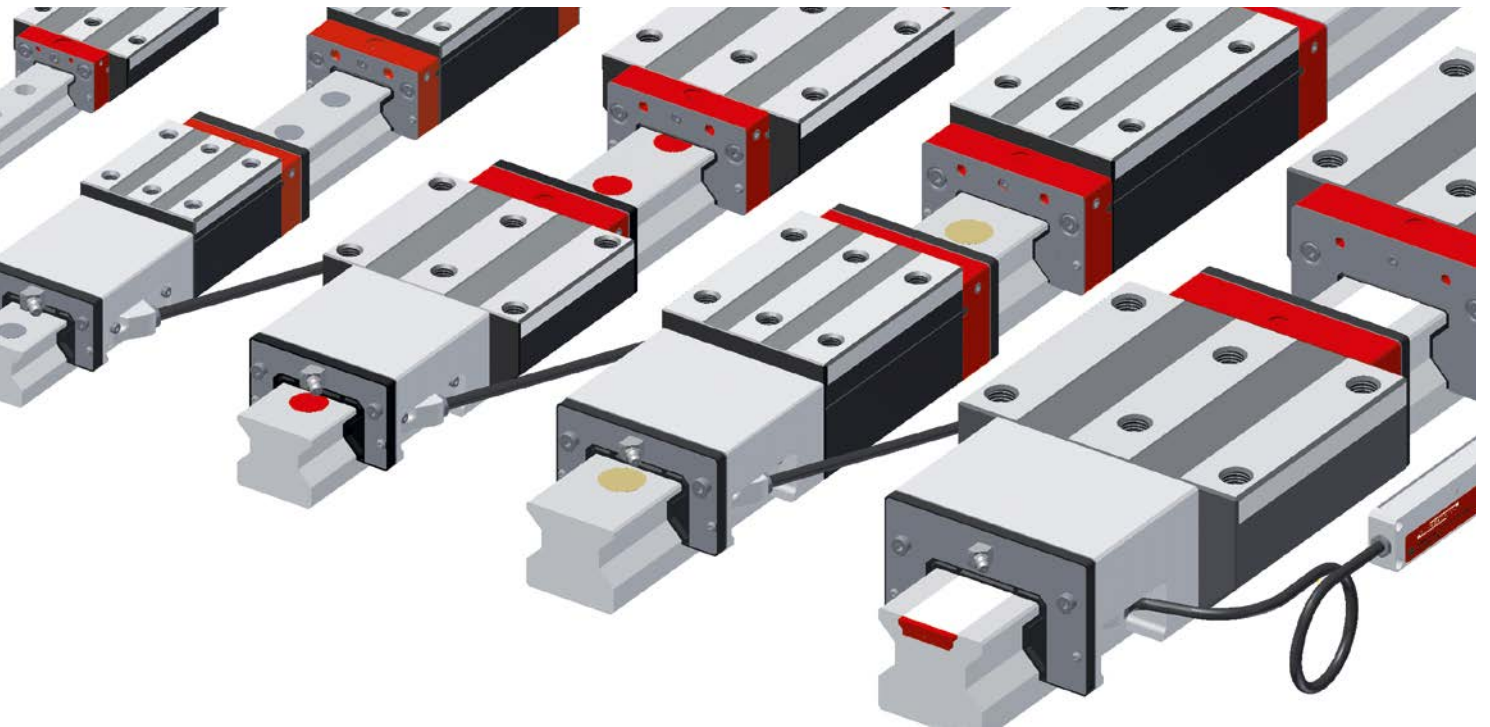
NB

Q.v. chapter 6.1 to 6.3 for an overview of types, details of shapes, available options and accessories.

Q.v. chapter 2 for a description of the options.

7.0 MONORAIL AMS 3B

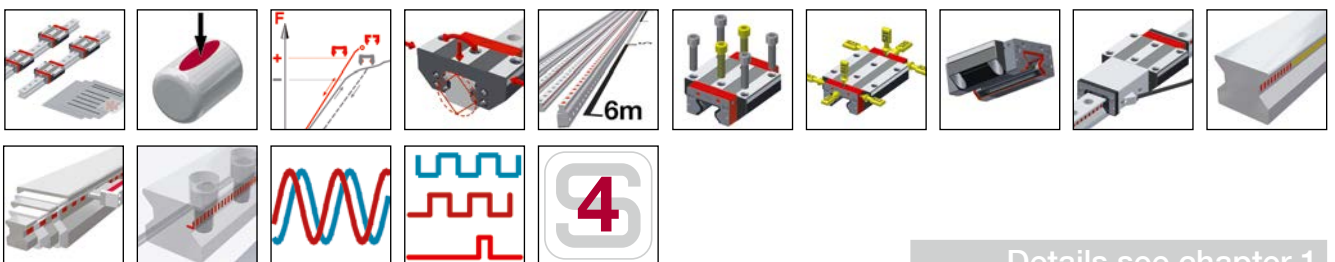
SCHNEEBERGER
LINEAR TECHNOLOGY



SCHNEEBERGER's MONORAIL AMS 3B is an integrated measuring system for distance measurement for use on all protected machine tool axes with high demands on system precision. Mechanically the AMS 3B is based on SCHNEEBERGER's MONORAIL MR roller guide with lengths up to 6 metres. The integration of the measurement system allows very compact axes to be put together.

A digital interface with a range of different resolutions for different maximum speeds, and an analog 1Vpp (200 µm signal period) interface are available as interfaces with the control system. Reference marks can be set at 50mm intervals or distance coded. Different options for carriage lubrication and sealing permit the best possible degree of adaptation to application requirements. The easily interchangeable reading head is identical for all sizes.

Features of System MONORAIL AMS 3B



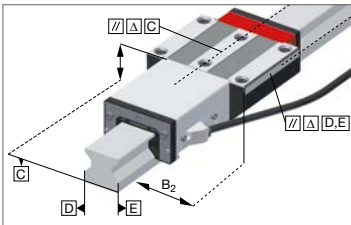
Details see chapter 1

7.1 Overview of types, sizes and available options 122



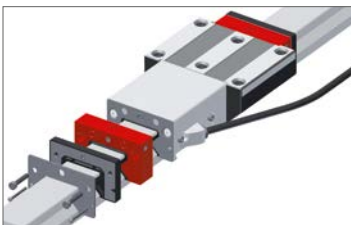
Product overview AMS 3B Rails	122
Product overview AMS 3B Carriages	123

7.2 Technical data and options 124



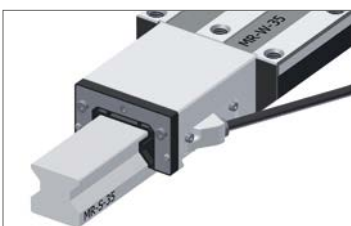
AMS 3B Size 25	124
AMS 3B Size 35	126
AMS 3B Size 45	128
AMS 3B Size 55	130
AMS 3B Size 65	132

7.3 Accessories MONORAIL AMS 3B 134



Accessories overview	134
AMS 3B Rails accessory details	55
AMS 3B Carriages accessory details	58

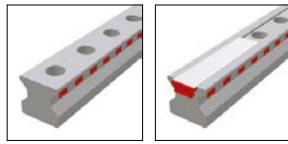
7.4 Order key 135



Order key AMSA 3B Rails	135
Order key AMSA 3B Carriages	135
Order key AMSA 3B Reading head (spare part)	135
Order key AMSD 3B Rails	136
Order key AMSD 3B Carriages	136
Order key AMSD 3B Reading head (spare part)	136

7.1 Overview of types, sizes and available options AMS 3B Rails

Product overview AMS 3B Rails



	N standard	C for cover strip			
Buildsizes / Rail build forms					
Size 25	AMS 3B S 25-N	AMS 3B S 25-C			
Size 35	AMS 3B S 35-N	AMS 3B S 35-C			
Size 45	AMS 3B S 45-N	AMS 3B S 45-C			
Size 55	AMS 3B S 55-N	AMS 3B S 55-C			
Size 65	AMS 3B S 65-N	AMS 3B S 65-C			
Features					
Screwable from above	●	●			
Screwable from below					
Small assembly effort		●			
Great single-part system length	●	●			

Available options for AMS 3B Rails

Details see chapter 2

Accuracy

- G0 Highly accurate
- G1 Very accurate
- G2 Accurate
- G3 Standard

Straightness

- KC Standard

Coating

- CN None
- CH Hard chromium

Locating sides

- R11 Ref.bottom, scale bottom
- R12 Ref.bottom, scale bottom
- R21 Ref.top, scale bottom
- R22 Ref.top, scale top

Magnetization

- TR50 50 mm pattern
- TD20 20 mm code
- TD50 50 mm code

Available accessories for AMS 3B Rails

Details see chapter 3.3

Plugs

Cover strips

Assembly tools

7.1 Overview of types, sizes and available options AMS 3B Carriages

Product overview AMS 3B Carriages



	A standard	B standard, long	C compact, high	D compact, high, long	E compact, high, for lateral fixing	F compact	G compact, long
--	---------------	---------------------	--------------------	--------------------------	--	--------------	--------------------

Buildsizes / Carriage build forms

	A	B	C	D	E	F	G
Size 25	AMS 3B W 25-A	AMS 3B W 25-B	AMS 3B W 25-C	AMS 3B W 25-D	AMS 3B W 25-E	AMS 3B W 25-F	AMS 3B W 25-G
Size 35	AMS 3B W 35-A	AMS 3B W 35-B	AMS 3B W 35-C	AMS 3B W 35-D	AMS 3B W 35-E		
Size 45	AMS 3B W 45-A	AMS 3B W 45-B	AMS 3B W 45-C	AMS 3B W 45-D		AMS 3B W 45-F	
Size 55	AMS 3B W 55-A	AMS 3B W 55-B	AMS 3B W 55-C	AMS 3B W 55-D			AMS 3B W 55-G
Size 65	AMS 3B W 65-A	AMS 3B W 65-B	AMS 3B W 65-C	AMS 3B W 65-D			

Features

Screwable from above	•	•	•	•		•	•
Screwable from below	•	•					
Screwable from the side					•		
For high loads and moments		•		•			•
For medium loads and moments	•		•		•	•	
For limited installation space						•	•

Available options for AMS 3B Carriages

Details see chapter 2

Accuracy

- G0 Highly accurate
- G1 Very accurate
- G2 Accurate
- G3 Standard

Preload

- V1 Low
- V2 Medium
- V3 High

Reference side

- R1 Ref. at bottom
- R2 Ref. on top

Coating

- CN None
- CH Hard chromium

Reading head position

- P1 Right top
- Note: P2/P4 on request

- P3 Left bottom

Lubrication

- LN Oil protect
- LG Grease protect
- LV Full greasing

Interface

- TMU TMU, analog, 0.3m
- TRU TRU, analog, 3m
- TSU TSU, analog, 3m
- TMD TMD, digital, 0.3m
- TRD TRD, digital, 3m
- TSD TSD, digital, 3m

Lube connections at P1

- S10 Left center
- S11 Top left
- S12 Lower left side
- S13 Upper left side
- S49 S10+S12+S13 locked using threaded pins

Lube connections at P3

- S20 Right center
- S21 Top right
- S22 Lower right side
- S23 Upper right side
- S49 S20+S22+S23 locked using threaded pins

Available accessories for AMS 3B Carriages

Details see chapter 2.1 and 3.3

Additional wipers
Metal wiper

Bellows
Lube nipples

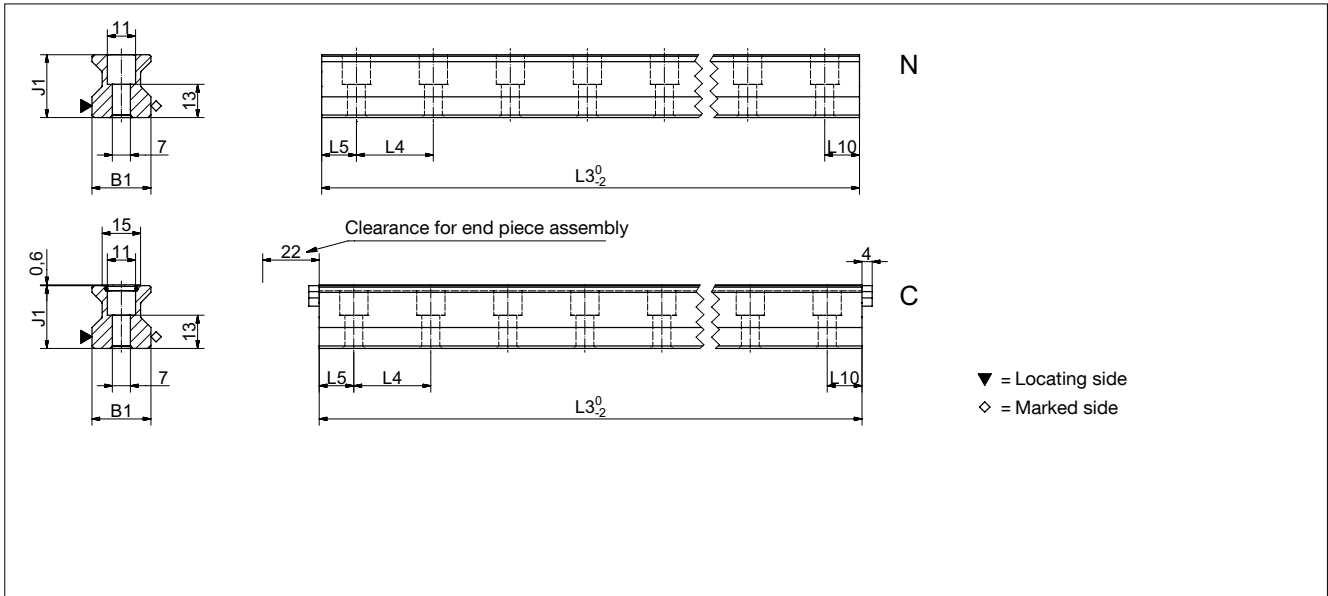
Assembly rails
Lube adapters

Lubrication plates
Cables

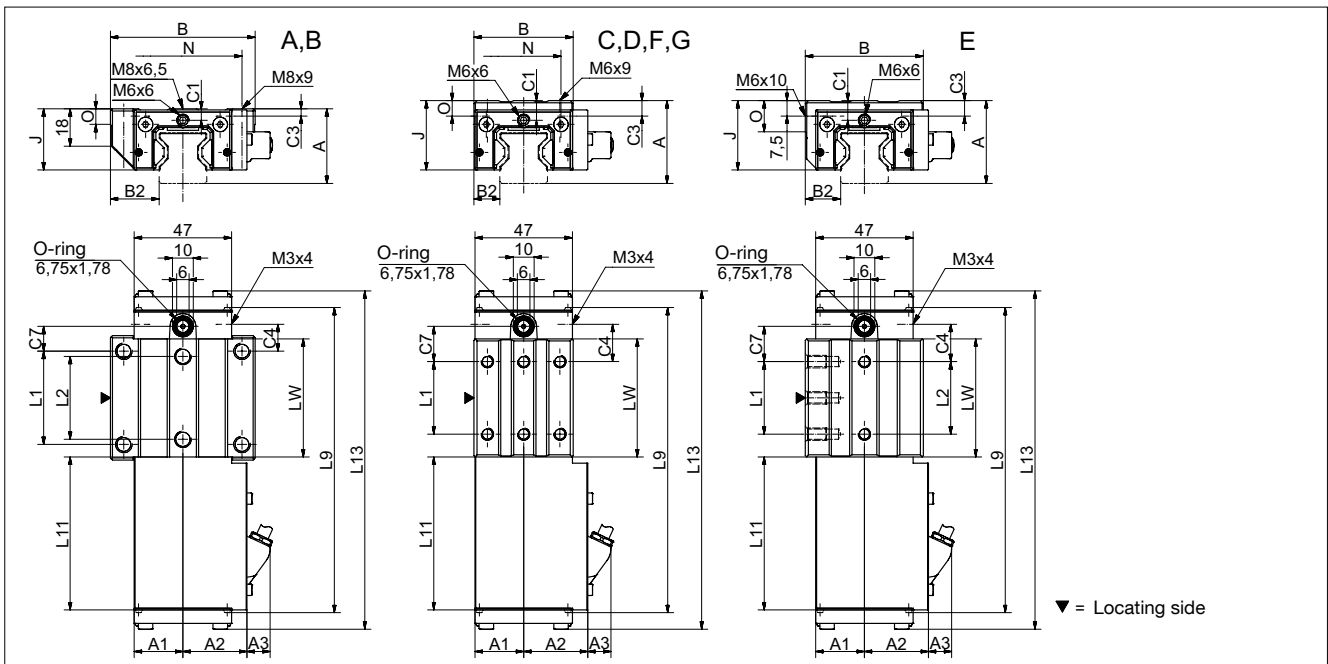
7.2 Technical data and options

AMS 3B Size 25

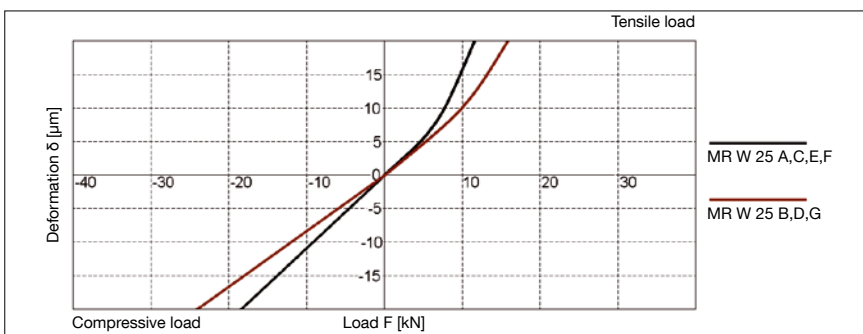
AMS 3B S 25 Drawings



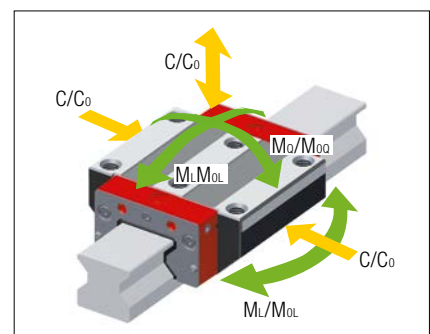
AMS 3B W 25 Drawings



AMS 3B W 25 Rigidity diagram



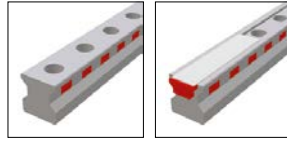
AMS 3B W 25 Load rating



7.2 Technical data and options

AMS 3B Size 25

AMS 3B S 25 Dimensions



	AMS 3B S 25-N	AMS 3B S 25-C				
B1: Rail width	23	23				
J1: Rail height	24.5	24.5				
L3: Rail length max.	6000	3000				
L4: Spacing of fixing holes	30	30				
L5/L10: Position of first/last fixing hole	13.5	13.5				
Gew.: Rail weight, specific (kg/m)	3.4	3.3				

Available options for AMS 3B S 25



AMS 3B W 25 Dimensions and capacities



	AMS 3B W 25-A	AMS 3B W 25-B	AMS 3B W 25-C	AMS 3B W 25-D	AMS 3B W 25-E	AMS 3B W 25-F	AMS 3B W 25-G
A: System height	36	36	40	40	40	36	36
A1: Half width of housing on opposite side	23.5	23.5	23.5	23.5	23.5	23.5	23.5
A2: Half width of housing on reading head side	31	31	31	31	31	31	31
A3: Projection of reading head	11.5	11.5	11.5	11.5	11.5	11.5	11.5
B: Carriage width	70	70	48	48	57	48	48
B2: Distance between locating faces	23.5	23.5	12.5	12.5	17	12.5	12.5
C1: Position of center front lube hole*	5.5	5.5	9.5	9.5	9.5	5.5	5.5
C3: Position of lateral lube hole	3.5	3.5	7.5	7.5	7.5	3.5	3.5
C4: Position of lateral lube hole	13	24.2	18	21.7	18	18	21.7
C7: Position of top lube hole	12	23.2	17	20.7	17	17	17
J: Carriage height	29.5	29.5	33.5	33.5	33.5	29.5	29.5
L1: Exterior fixing hole spacing	45	45	35	50	35	35	50
L2: Interior fixing hole spacing	40	40	-	-	35	-	-
L9: Carriage length with housing	148	170	148	170	148	148	170
L11: Housing length	75.2	75.2	75.2	75.2	75.2	75.2	75.2
L13: Total length measuring carriage	164.5	186.9	164.5	186.9	164.5	164.5	186.9
Lw: Inner carriage body length	57	79.4	57	79.4	57	57	79.4
N: Lateral fixing hole spacing	57	57	35	35	-	35	35
O: Reference face height	7.5	7.5	7.5	7.5	15	7.5	7.5
Capacities and weights							
C0: Static load capacity (N)	49800	70300	49800	70300	49800	49800	70300
C100: Dynamic load capacity (N)	27700	39100	27700	39100	27700	27700	39100
MOQ: Static cross moment capacity (Nm)	733	1035	733	1035	733	733	1035
MOL: Static longitud. moment capacity (Nm)	476	936	476	936	476	476	936
MQ: Dyn. cross moment capacity (Nm)	408	576	408	576	408	408	578
ML: Dyn. longitud. moment capacity (Nm)	265	521	265	521	265	265	521
Gew: Carriage weight (kg)	1.3	1.5	1.2	1.3	1.3	1.1	1.2

Note: * Values valid for external housing / front plate

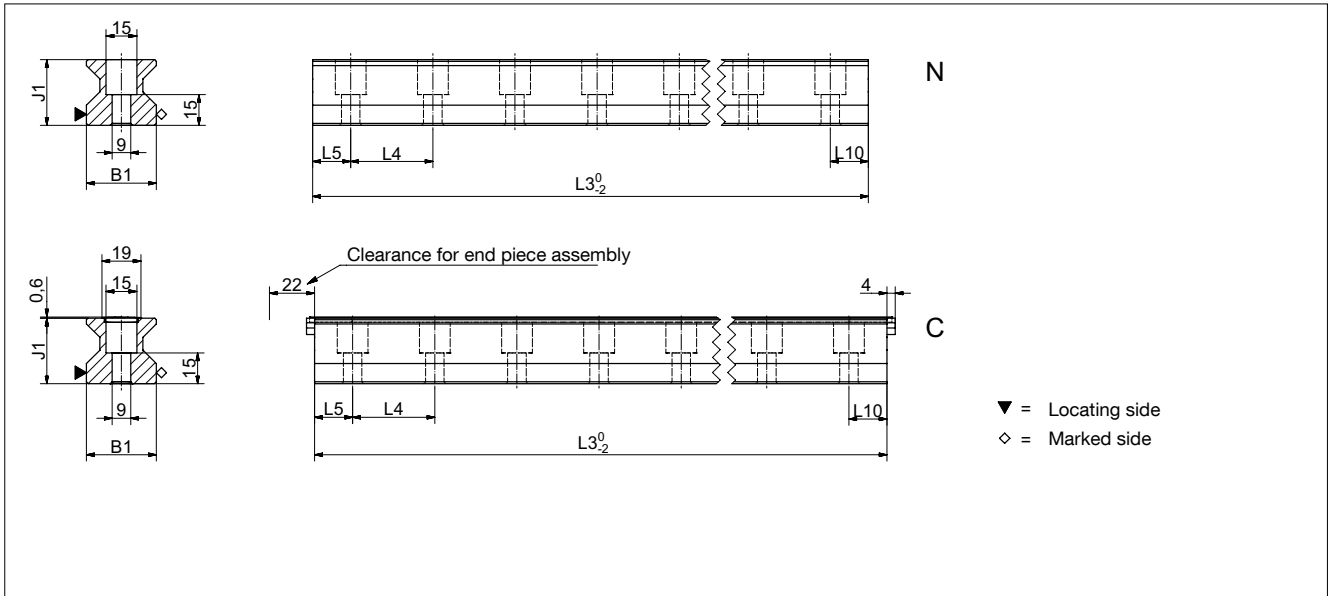
Available options for AMS 3B W 25



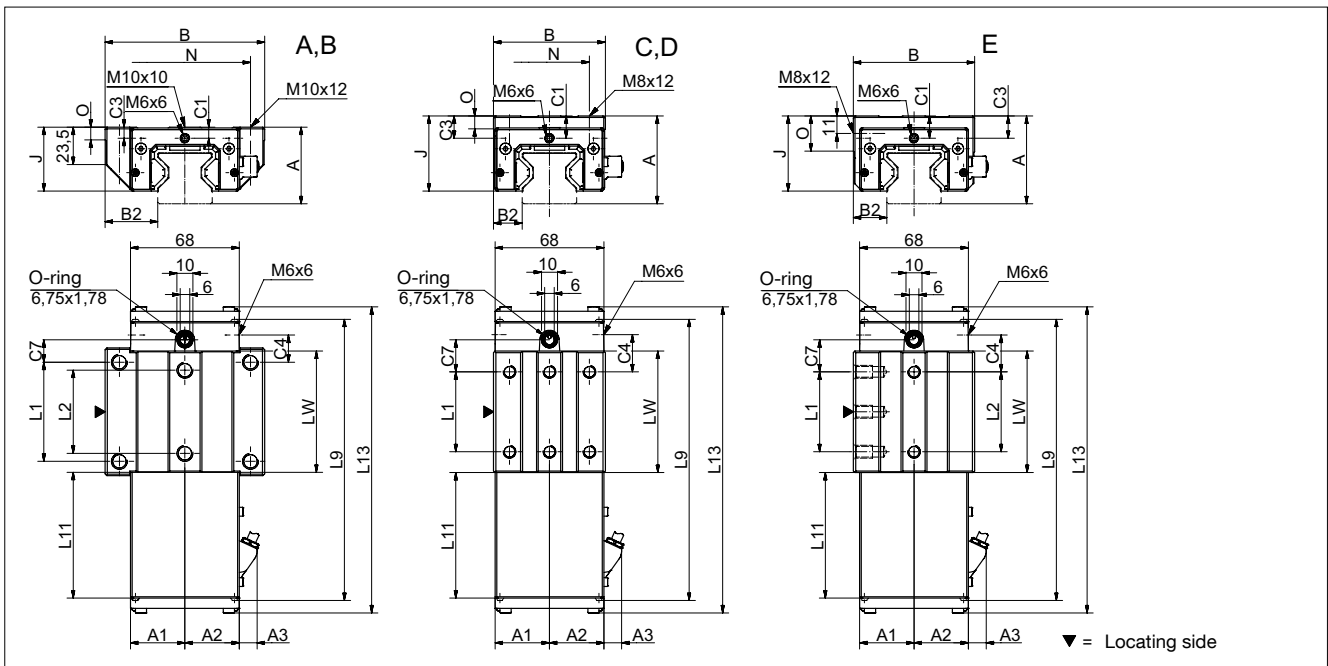
7.2 Technical data and options

AMS 3B Size 35

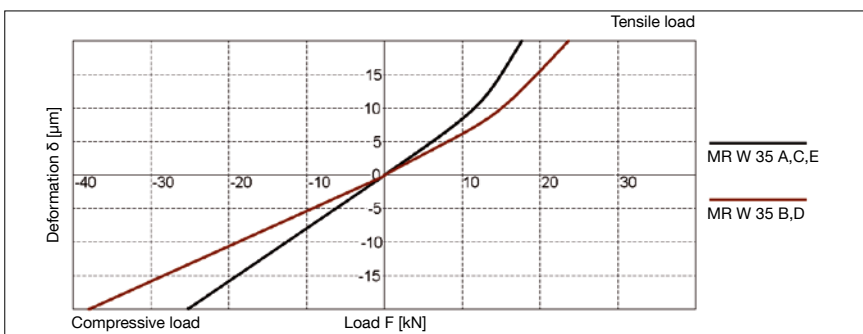
AMS 3B S 35 Drawings



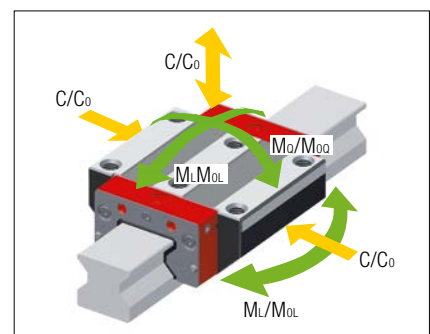
AMS 3B W 35 Drawings



AMS 3B W 35 Rigidity diagram



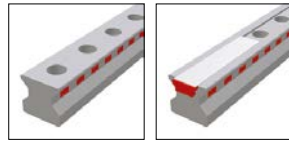
AMS 3B W 35 Load rating



7.2 Technical data and options

AMS 3B Size 35

AMS 3B S 35 Dimensions

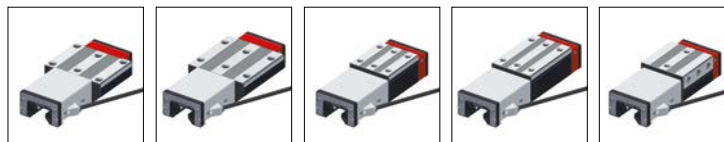


	AMS 3B S 35-N	AMS 3B S 35-C			
B1: Rail width	34	34			
J1: Rail height	32	32			
L3: Rail length max.	6000	6000			
L4: Spacing of fixing holes	40	40			
L5/L10: Position of first/last fixing hole	18.5	18.5			
Gew.: Rail weight, specific (kg/m)	6.5	6.3			

Available options for AMS 3B S 35



AMS 3B W 35 Dimensions and capacities



	AMS 3B W 35-A	AMS 3B W 35-B	AMS 3B W 35-C	AMS 3B W 35-D	AMS 3B W 35-E
A: System height	48	48	55	55	55
A1: Half width of housing on opposite side	34	34	34	34	34
A2: Half width of housing on reading head side	34	34	34	34	34
A3: Projection of reading head	11.5	11.5	11.5	11.5	11.5
B: Carriage width	100	100	70	70	76
B2: Distance between locating faces	33	33	18	18	21
C1: Position of center front lube hole*	6.5 / 7	6.5 / 7	13.5 / 14	13.5 / 14	13.5 / 14
C3: Position of lateral lube hole	7	7	14	14	14
C4: Position of lateral lube hole	17	30.5	23	25.5	23
C7: Position of top lube hole	14	27.5	20	22.5	20
J: Carriage height	40	40	47	47	47
L1: Exterior fixing hole spacing	62	62	50	72	50
L2: Interior fixing hole spacing	52	52	-	-	50
L9: Carriage length with housing	176	204	176	204	176
L11: Housing length	80.2	80.2	80.2	80.2	80.2
L13: Total length measuring carriage	192.6	219.6	192.6	219.6	192.6
Lw: Inner carriage body length	76	103	76	103	76
N: Lateral fixing hole spacing	82	82	50	50	-
O: Reference face height	8	8	8	8	22
Capacities and weights					
C0: Static load capacity (N)	93400	128500	93400	128500	93400
C100: Dynamic load capacity (N)	52000	71500	52000	71500	52000
MOQ: Static cross moment capacity (Nm)	2008	2762	2008	2762	2008
MOL: Static longitud. moment capacity (Nm)	1189	2214	1189	2214	1189
MQ: Dyn. cross moment capacity (Nm)	1118	1537	1118	1537	1118
ML: Dyn. longitud. moment capacity (Nm)	662	1232	662	1232	662
Gew: Carriage weight (kg)	2.3	2.9	2.2	2.7	2.3

Note: * Values valid for external housing / front plate

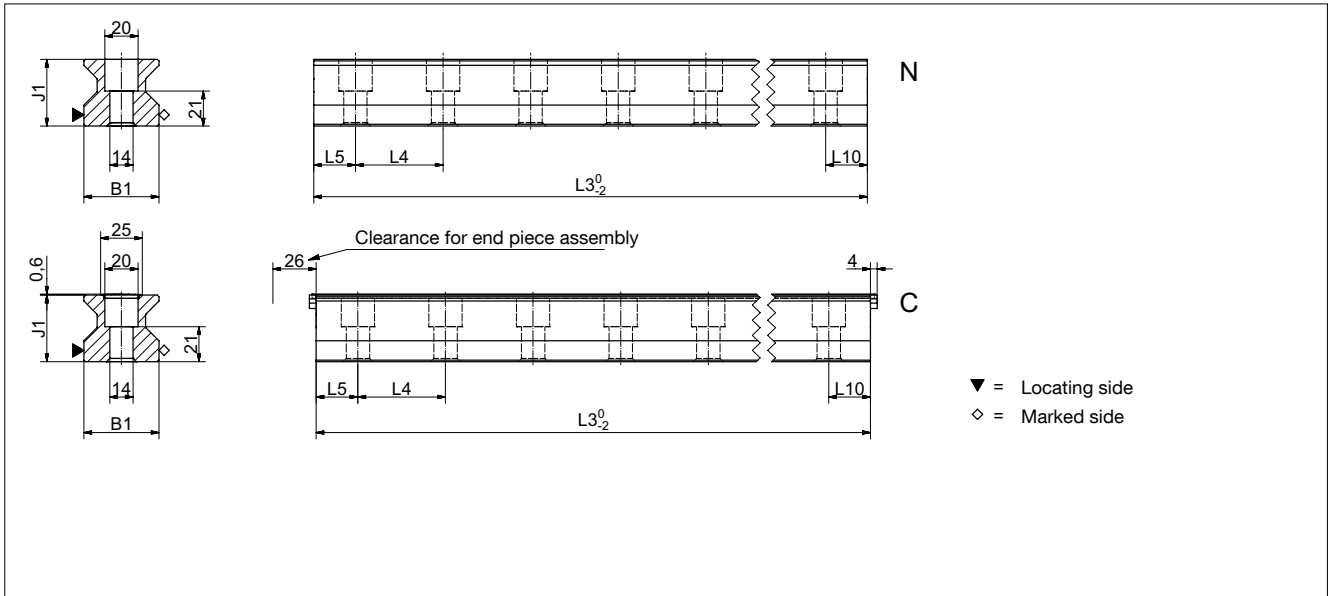
Available options for AMS 3B W 35



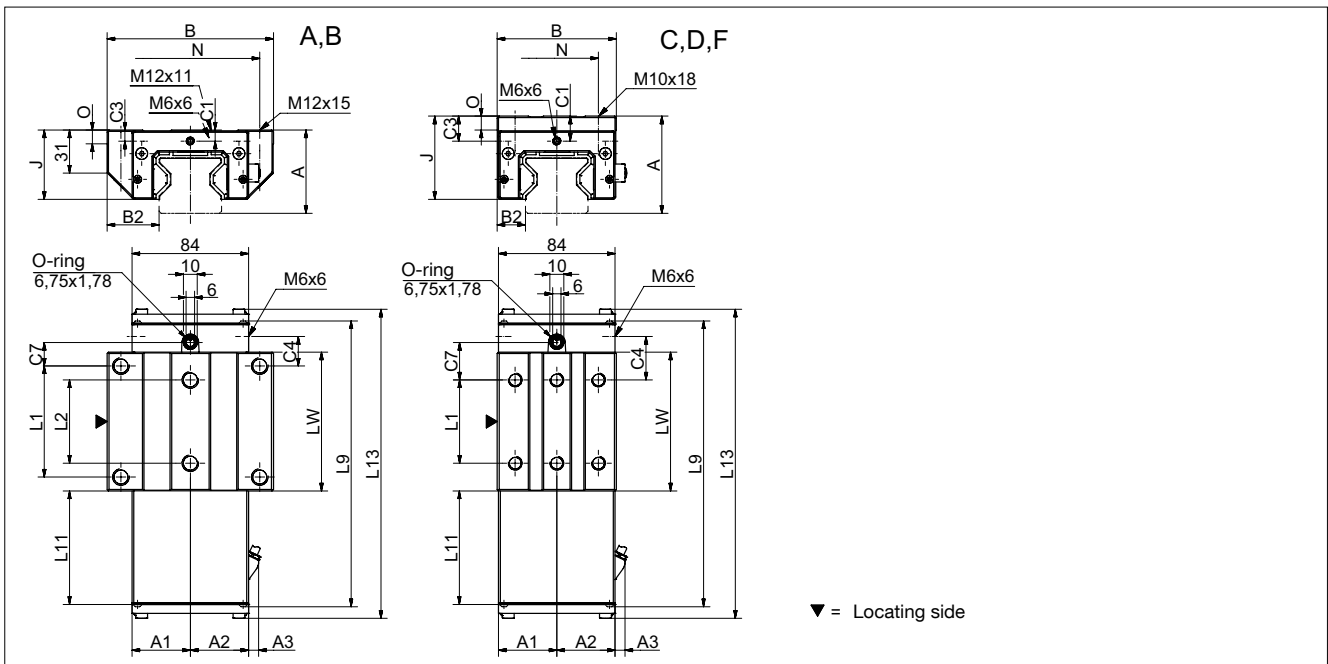
7.2 Technical data and options

AMS 3B Size 45

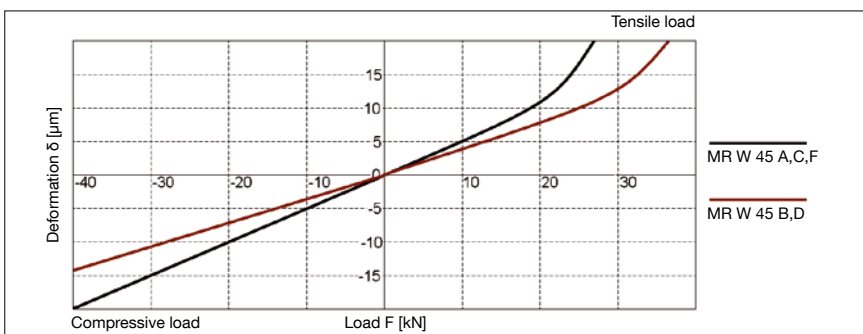
AMS 3B S 45 Drawings



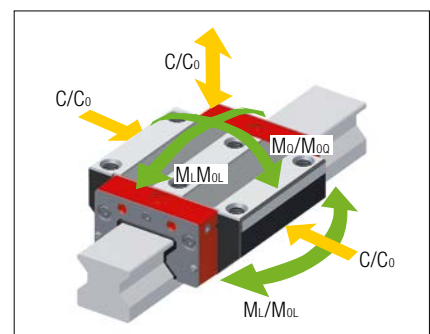
AMS 3B W 45 Drawings



AMS 3B W 45 Rigidity diagram



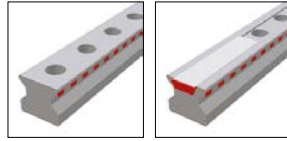
AMS 3B W 45 Load rating



7.2 Technical data and options

AMS 3B Size 45

AMS 3B S 45 Dimensions



	AMS 3B S 45-N	AMS 3B S 45-C			
B1: Rail width	45	45			
J1: Rail height	40	40			
L3: Rail length max.	6000	6000			
L4: Spacing of fixing holes	52.5	52.5			
L5/L10: Position of first/last fixing hole	25	25			
Gew.: Rail weight, specific (kg/m)	10.8	10.8			

Available options for AMS 3B S 45



AMS 3B W 45 Dimensions and capacities



	AMS 3B W 45-A	AMS 3B W 45-B	AMS 3B W 45-C	AMS 3B W 45-D	AMS 3B W 45-F
A: System height	60	60	70	70	60
A1: Half width of housing on opposite side	42	42	42	42	42
A2: Half width of housing on reading head side	42	42	42	42	42
A3: Projection of reading head	7.5	7.5	7.5	7.5	7.5
B: Carriage width	120	120	86	86	86
B2: Distance between locating faces	37.5	37.5	20.5	20.5	20.5
C1: Position of center front lube hole	8	8	18	18	8
C3: Position of lateral lube hole	8	8	18	18	8
C4: Position of lateral lube hole	21.25	38.75	31.25	38.75	31.25
C7: Position of top lube hole	17	34.5	27	34.5	27
J: Carriage height	50	50	60	60	50
L1: Exterior fixing hole spacing	80	80	60	80	60
L2: Interior fixing hole spacing	60	60	-	-	-
L9: Carriage length with housing	206	241	206	241	206
L11: Housing length	83.6	83.6	83.6	83.6	83.6
L13: Total length measuring carriage	223.7	258.7	223.7	258.7	223.7
Lw: Inner carriage body length	100	135	100	135	100
N: Lateral fixing hole spacing	100	100	60	60	60
O: Reference face height	10	10	10	10	10
Capacities and weights					
C0: Static load capacity (N)	167500	229500	167500	229500	167500
C100: Dynamic load capacity (N)	93400	127800	93400	127800	93400
MOQ: Static cross moment capacity (Nm)	4621	6333	4621	6333	4621
MOL: Static longitud. moment capacity (Nm)	2790	5161	2790	5161	2790
MQ: Dyn. cross moment capacity (Nm)	2577	3527	2577	3527	2577
ML: Dyn. longitud. moment capacity (Nm)	1556	2874	1556	2874	1556
Gew.: Carriage weight (kg)	4.0	5.1	3.8	4.8	3.1

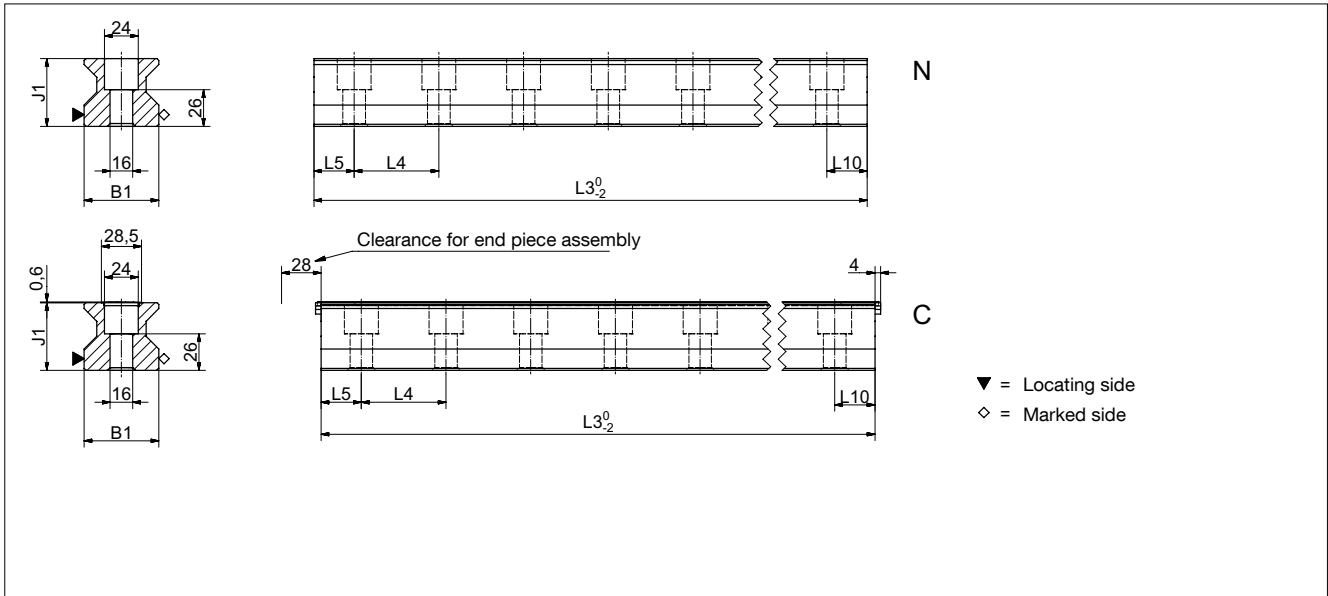
Available options for AMS 3B W 45



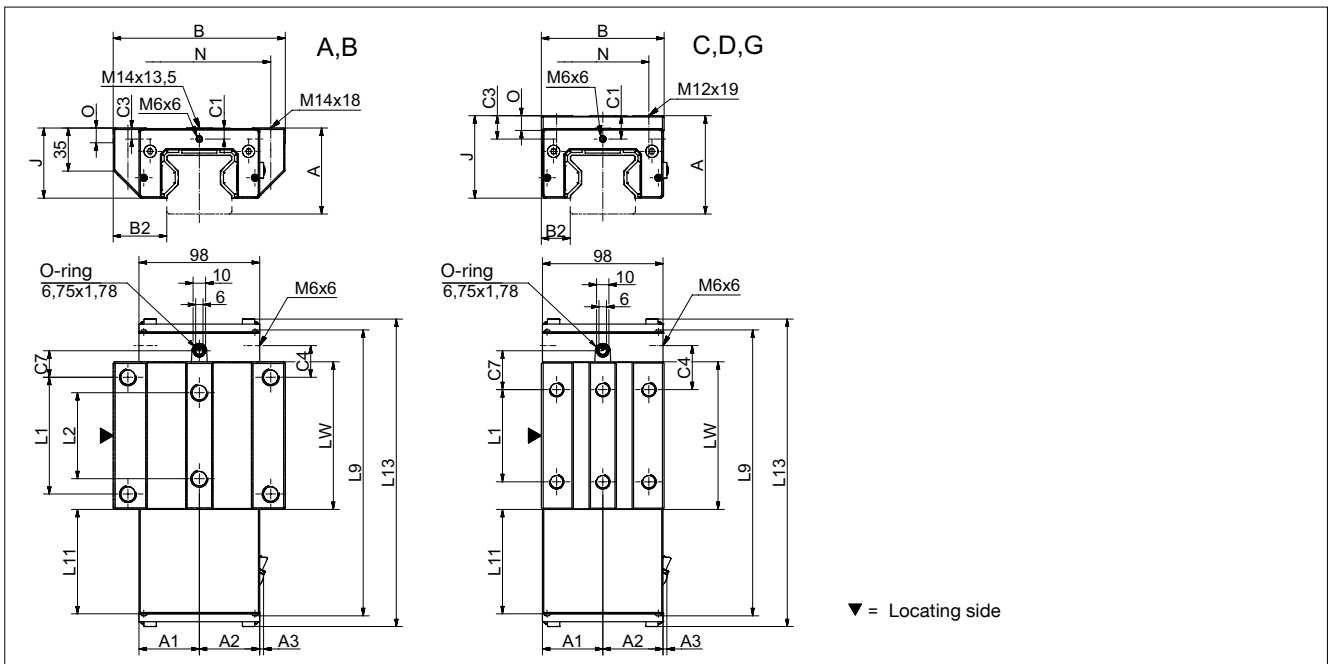
7.2 Technical data and options

AMS 3B Size 55

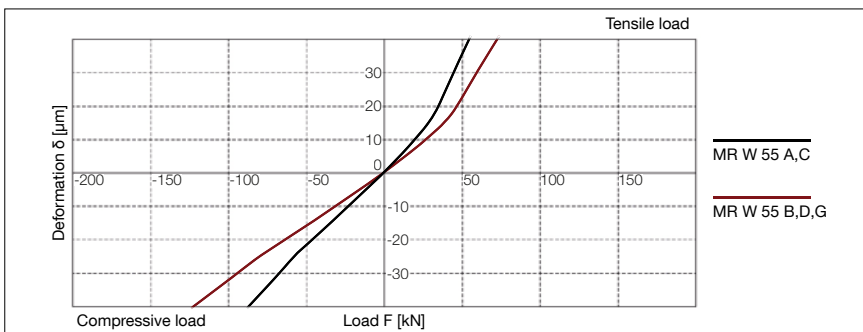
AMS 3B S 55 Drawings



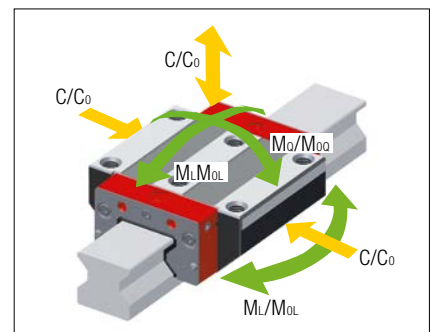
AMS 3B W 55 Drawings



AMS 3B W 55 Rigidity diagram



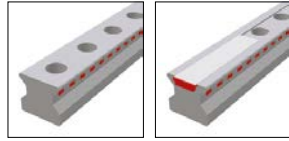
AMS 3B W 55 Load rating



7.2 Technical data and options

AMS 3B Size 55

AMS 3B S 55 Dimensions

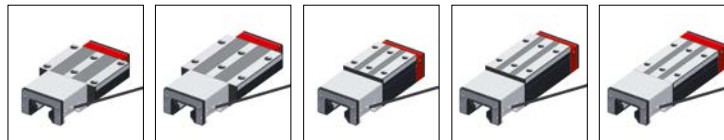


	AMS 3B S 55-N	AMS 3B S 55-C			
B1: Rail width	53	53			
J1: Rail height	48	48			
L3: Rail length max.	6000	6000			
L4: Spacing of fixing holes	60	60			
L5/L10: Position of first/last fixing hole	28.5	28.5			
Gew.: Rail weight, specific (kg/m)	15.2	14.9			

Available options for AMS 3B S 55



AMS 3B W 55 Dimensions and capacities



	AMS 3B W 55-A	AMS 3B W 55-B	AMS 3B W 55-C	AMS 3B W 55-D	AMS 3B W 55-G
A: System height	70	70	80	80	70
A1: Half width of housing on opposite side	49	49	49	49	49
A2: Half width of housing on reading head side	49	49	49	49	49
A3: Projection of reading head	3.5	3.5	3.5	3.5	3.5
B: Carriage width	140	140	100	100	100
B2: Distance between locating faces	43.5	43.5	23.5	23.5	23.5
C1: Position of center front lube hole	9	9	19	19	9
C3: Position of lateral lube hole	9	9	19	19	9
C4: Position of lateral lube hole	25.75	46.75	35.75	46.75	46.75
C7: Position of top lube hole	21.5	42.5	31.5	42.5	42.5
J: Carriage height	57	57	67	67	57
L1: Exterior fixing hole spacing	95	95	75	95	95
L2: Interior fixing hole spacing	70	70	-	-	-
L9: Carriage length with housing	233	275	233	275	275
L11: Housing length	86.6	86.6	86.6	86.6	86.6
L13: Total length measuring carriage	251.2	293.2	251.2	293.2	293.2
Lw: Inner carriage body length	120	162	120	162	162
N: Lateral fixing hole spacing	116	116	75	75	75
O: Reference face height	12	12	12	12	12
Capacities and weights					
C0: Static load capacity (N)	237000	324000	237000	324000	324000
C100: Dynamic load capacity (N)	131900	180500	131900	180500	180500
MOQ: Static cross moment capacity (Nm)	7771	10624	7771	10624	10624
MOL: Static longitud. moment capacity (Nm)	4738	8745	4325	8745	8745
MQ: Dyn. cross moment capacity (Nm)	4325	5919	4325	5919	5919
ML: Dyn. longitud. moment capacity (Nm)	2637	4872	2637	4872	4872
Gew: Carriage weight (kg)	5.9	7.7	5.5	7.0	5.7

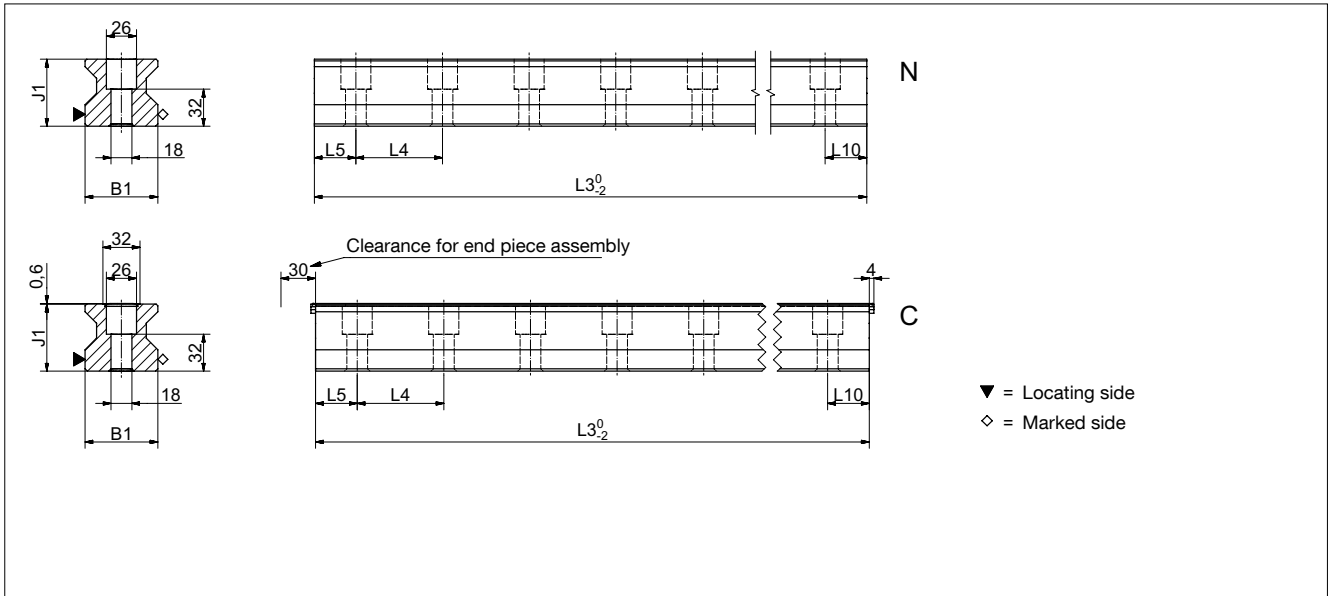
Available options for AMS 3B W 55



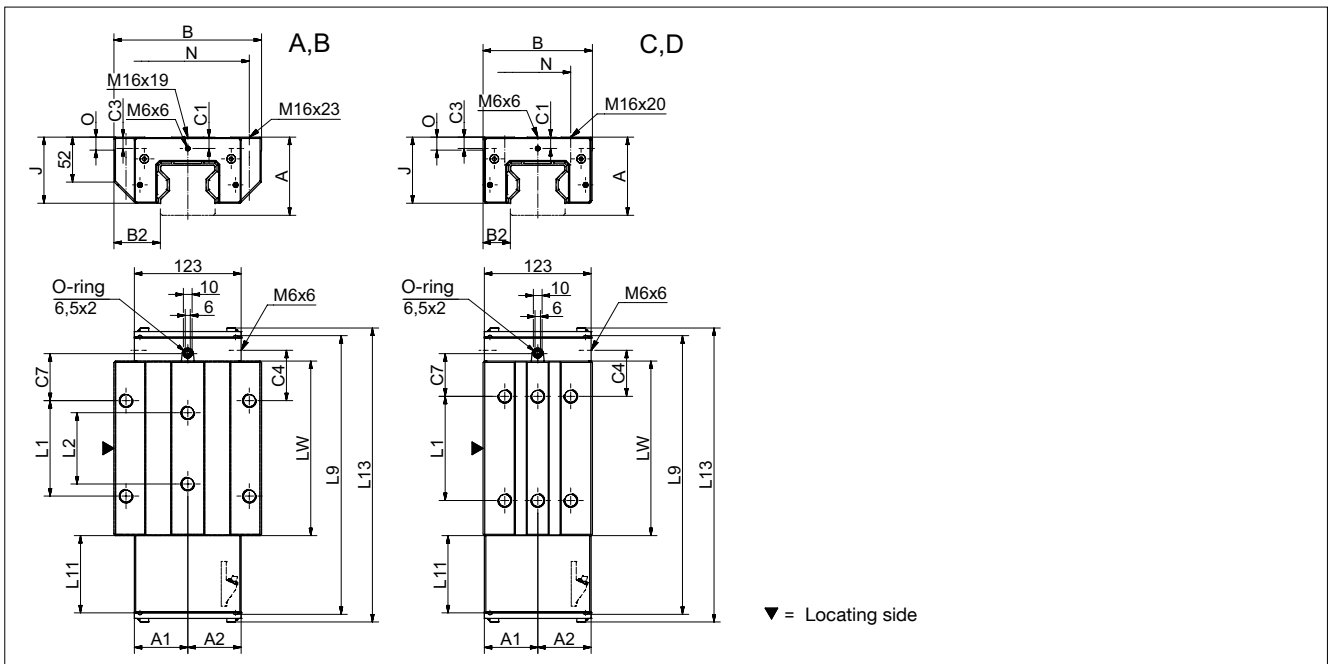
7.2 Technical data and options

AMS 3B Size 65

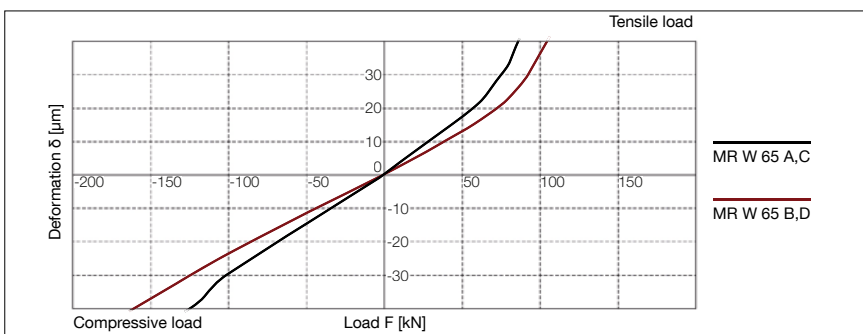
AMS 3B S 65 Drawings



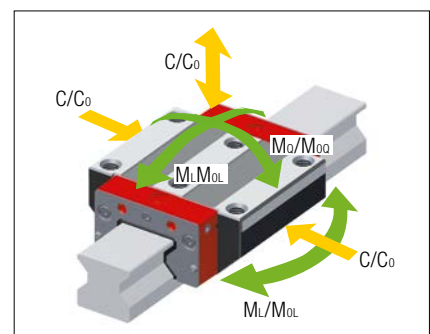
AMS 3B W 65 Drawings



AMS 3B W 65 Rigidity diagram



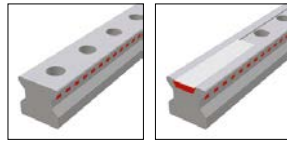
AMS 3B W 65 Load rating



7.2 Technical data and options

AMS 3B Size 65

AMS 3B S 65 Dimensions

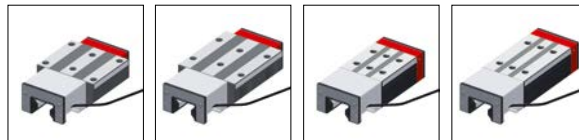


	AMS 3B S 65-N	AMS 3B S 65-C			
B1: Rail width	63	63			
J1: Rail height	58	58			
L3: Rail length max.	6000	6000			
L4: Spacing of fixing holes	75	75			
L5/L10: Position of first/last fixing hole	36	36			
Gew.: Rail weight, specific (kg/m)	22.8	22.5			

Available options for AMS 3B S 65



AMS 3B W 65 Dimensions and capacities



	AMS 3B W 65-A	AMS 3B W 65-B	AMS 3B W 65-C	AMS 3B W 65-D		
A: System height	90	90	90	90		
A1: Half width of housing on opposite side	61.5	61.5	61.5	61.5		
A2: Half width of housing on reading head side	61.5	61.5	61.5	61.5		
A3: Projection of reading head	0	0	0	0		
B: Carriage width	170	170	126	126		
B2: Distance between locating faces	53.5	53.5	31.5	31.5		
C1: Position of center front lube hole	13	13	13	13		
C3: Position of lateral lube hole	13	13	13	13		
C4: Position of lateral lube hole	31.75	58	51.75	53		
C7: Position of top lube hole	27.75	54	47.75	49		
J: Carriage height	76	76	76	76		
L1: Exterior fixing hole spacing	110	110	70	120		
L2: Interior fixing hole spacing	82	82	-	-		
L9: Carriage length with housing	269	321	269	321		
L11: Housing length	90.7	90.7	90.7	90.7		
L13: Total length measuring carriage	287.1	339.6	287.1	339.6		
Lw: Inner carriage body length	148.5	201	148.5	201		
N: Lateral fixing hole spacing	142	142	76	76		
O: Reference face height	15	15	15	15		

Capacities and weights

C0: Static load capacity (N)	419000	530000	419000	530000		
C100: Dynamic load capacity (N)	232000	295000	232000	295000		
MOQ: Static cross moment capacity (Nm)	16446	20912	16446	20912		
MOL: Static longitud. moment capacity (Nm)	10754	17930	10754	17930		
MQ: Dyn. cross moment capacity (Nm)	9154	11640	9154	11640		
ML: Dyn. longitud. moment capacity (Nm)	5954	9980	5954	9980		
Gew: Carriage weight (kg)	11.6	14.9	9.4	11.8		

Available options for AMS 3B W 65



AMS 3B Rails accessories overview

Accessories	AMS 3B S 25	AMS 3B S 35	AMS 3B S 45	AMS 3B S 55	AMS 3B S 65
Plugs:					
Plastic plugs	MRK 25	MRK 35	MRK 45	MRK 55	MRK 65
Brass plugs	MRS 25	MRS 35	MRS 45	MRS 55	MRS 65
Steel plugs	MRZ 25	MRZ 35	MRZ 45	MRZ 55	MRZ 65
Cover strips:					
Cover strip (spare part)	MAC 25	MAC 35	MAC 45	MAC 55	MAC 65
End piece for cover strip (spare part)	EST 25-MAC	EST 35-MAC	EST 45-MAC	EST 55-MAC	EST 65-MAC
Assembly tools:					
Installation tool for steel plugs	MWH 25	MWH 35	MWH 45	MWH 55	MWH 65
Hydraulic cylinder for MWH	MZH	MZH	MZH	MZH	MZH
Installation tool for cover strip	MWC 25	MWC 35	MWC 45	MWC 55	MWC 65

AMS 3B Carriages accessories overview

Accessories	AMS 3B W 25	AMS 3B W 35	AMS 3B W 45	AMS 3B W 55	AMS 3B W 65
Additional wipers:					
Additional wipers Viton	ZCV 25	ZCV 35	ZCV 45	ZCV 55	ZCV 65
Metal wiper	ASM 25-A	ASM 35-A	ASM 45-A	ASM 55-A	ASM 65-A
Bellows:					
Bellows	FBM 25	FBM 35	FBM 45	FBM 55	FBM 65
Adapter plate for bellows (spare part)	ZPL 25	ZPL 35	ZPL 45	ZPL 55	ZPL 65
End plate for bellows (spare part)	EPL 25	EPL 35	EPL 45	EPL 55	EPL 65
Assembly rails:					
Assembly rail	MRM 25	MRM 35	MRM 45	MRM 55	MRM 65
Lubrication plates:					
Lubrication plate	SPL 25-MR	SPL 35-MR	SPL 45-MR	SPL 55-MR	SPL 65-MR
Front plates:					
Cross wiper (spare part)	QAS 25-STR	QAS 35-STR	QAS 45-STR	QAS 55-STR	QAS 65-STR
Lube nipples:					
Hydraulic-type grease nipple straight	SN 6	SN 6	SN 6	SN 6	SN 6
Hydraulic-type grease nipple 45°	SN 6-45	SN 6-45	SN 6-45	SN 6-45	SN 6-45
Hydraulic-type grease nipple 90°	SN 6-90	SN 6-90	SN 6-90	SN 6-90	SN 6-90
Flush type grease nipple M3	SN 3-T	-	-	-	-
Flush type grease nipple M6	SN 6-T	SN 6-T	SN 6-T	SN 6-T	SN 6-T
Grease gun for SN 3-T und SN 6-T	SFP-T3	SFP-T3	SFP-T3	SFP-T3	SFP-T3
Lube adapters:					
Straight screw-in connection M3	SA 3-D3	-	-	-	-
Lubrication adapter M8 round-head	SA 6-RD-M8	SA 6-RD-M8	SA 6-RD-M8	SA 6-RD-M8	SA 6-RD-M8
Lubrication adapter M8 hexagon head	-	SA 6-6KT-M8	SA 6-6KT-M8	SA 6-6KT-M8	SA 6-6KT-M8
Lubrication adapter G1/8 hexagon head	-	SA 6-6KT-G1/8	SA 6-6KT-G1/8	SA 6-6KT-G1/8	SA 6-6KT-G1/8
Swivel screw connection for pipe d=3 mm	SV 3-D3	-	-	-	-
Swivel screw connection for pipe d=4 mm	SV 6-D4	SV 6-D4	SV 6-D4	SV 6-D4	SV 6-D4
Swivel screw connection M6	SV 6-M6	SV 6-M6	SV 6-M6	SV 6-M6	SV 6-M6
Swivel screw connection M6 long	SV 6-M6-L	SV 6-M6-L	SV 6-M6-L	SV 6-M6-L	SV 6-M6-L
Swivel screw connection M8	SV 6-M8	SV 6-M8	SV 6-M8	SV 6-M8	SV 6-M8
Swivel screw connection M8 long	SV 6-M8-L	SV 6-M8-L	SV 6-M8-L	SV 6-M8-L	SV 6-M8-L
Cables:					
Connecting cable, 12-pole	KAO 12-X	KAO 12-X	KAO 12-X	KAO 12-X	KAO 12-X
Connecting cable, 12-pole	KAO 13-X	KAO 13-X	KAO 13-X	KAO 13-X	KAO 13-X
Extension cable, 12-pole	KAO 14-X	KAO 14-X	KAO 14-X	KAO 14-X	KAO 14-X
Extension cable, 12-pole	KAO 15-X	KAO 15-X	KAO 15-X	KAO 15-X	KAO 15-X
Connecting cable, 12-pole	KAO 16-X	KAO 16-X	KAO 16-X	KAO 16-X	KAO 16-X

7.4 Order key

Analog

Individual guide rails and carriages are ordered in accordance with the order codes described below.

AMS 3B carriages consist of guide carriage, casing and reading head.

All MONORAIL MR carriages can also be used with AMS 3B rails.

Q.v. chapter 2 and chapter 3.3 for the order key for accessories.

Separate order codes are used in each case for rails, carriages and accessories. This also applies to different versions of rails and carriages.

All guide components are supplied individually as standard, i.e. unassembled.

If required, SCHNEEBERGER can also supply rails and carriages assembled incl. accessories as complete systems. Please note the ordering instructions in chapter 2.4 if this applies.

The order code for the AMS 3B systems is made up of two groups. For the AMS system with an analog interface, the code is AMSA. The AMS system with a digital interface is referred to as AMSD.

Order code for AMSA 3B Rails

	1x	AMSA 3B S	35	-N	-G1	-KC	-R12	-918	-19	-19	-CN	-TR50
Quantity												
Rail												
Size												
Type												
Accuracy												
Straightness												
Reference side												
Rail length L3												
Position of first fixing hole L5												
Position of last fixing hole L10												
Coating												
Magnetization												

NB

Q.v. chapter 7.1 to 7.3 for an overview of types, details of shapes, available options and accessories.

Q.v. chapter 2 for a description of the options.

If possible, standard lengths are preferred for L3 rail length.

These are calculated with the table values in chapter 7.2 using the following formula: $L3 = n \times L4 + L5 + L10 \leq L3_{max}$.

Order code for AMSA 3B Carriages

	1x	AMSA 3B W	35	-A	-P1	-G1	-V3	-R1	-CN	-S10	-LN	-TSU
Quantity												
Carriage												
Size												
Type												
Reading head position												
Accuracy												
Preload												
Reference side												
Coating												
Lube connection												
Lubrication as delivered condition												
Interface												

NB

Q.v. chapter 7.1 to 7.3 for an overview of types, details of shapes, available options and accessories.

Q.v. chapter 2 for a description of the options.

Order code for AMSA 3B Reading head (spare part)

	1x	SMA 3B	-MU
Quantity			
Reading head			
Interface			

NB

Q.v. chapter 2 for a description of the options.

Order code for AMSD 3B Rails

	1x	AMSD 3B S	-35	-N	-G1	-KC	-R12	-918	-19	-19	-CN	-TR50
Quantity												
Rail												
Size												
Type												
Accuracy												
Straightness												
Reference side												
Rail length L3												
Position of first fixing hole L5												
Position of last fixing hole L10												
Coating												
Magnetization												

NB

Q.v. chapter 7.1 to 7.3 for an overview of types, details of shapes, available options and accessories.

Q.v. chapter 2 for a description of the options.

If possible, standard lengths are preferred for L3 rail length.

These are calculated with the table values in chapter 7.2 using the following formula: $L3 = n \times L4 + L5 + L10 \leq L3max.$

Standard $L5 / L10 = (L4 / 2) - 1,5$

Order code for AMSD 3B Carriages

	1x	AMSD 3B W	-35	-A	-P1	-G1	-V3	-R1	-CN	-S10	-LN	-TSD	-050	-80	ZN
Quantity															
Carriage															
Size															
Type															
Reading head position															
Accuracy															
Preload															
Reference side															
Coating															
Lube connection															
Lubrication as delivered condition															
Interface															
Interpolation															
Frequency															
Reference pulse															

NB

Q.v. chapter 7.1 to 7.3 for an overview of types, details of shapes, available options and accessories.

Q.v. chapter 2 for a description of the options.

Order code for AMSD 3B Reading head (spare part)

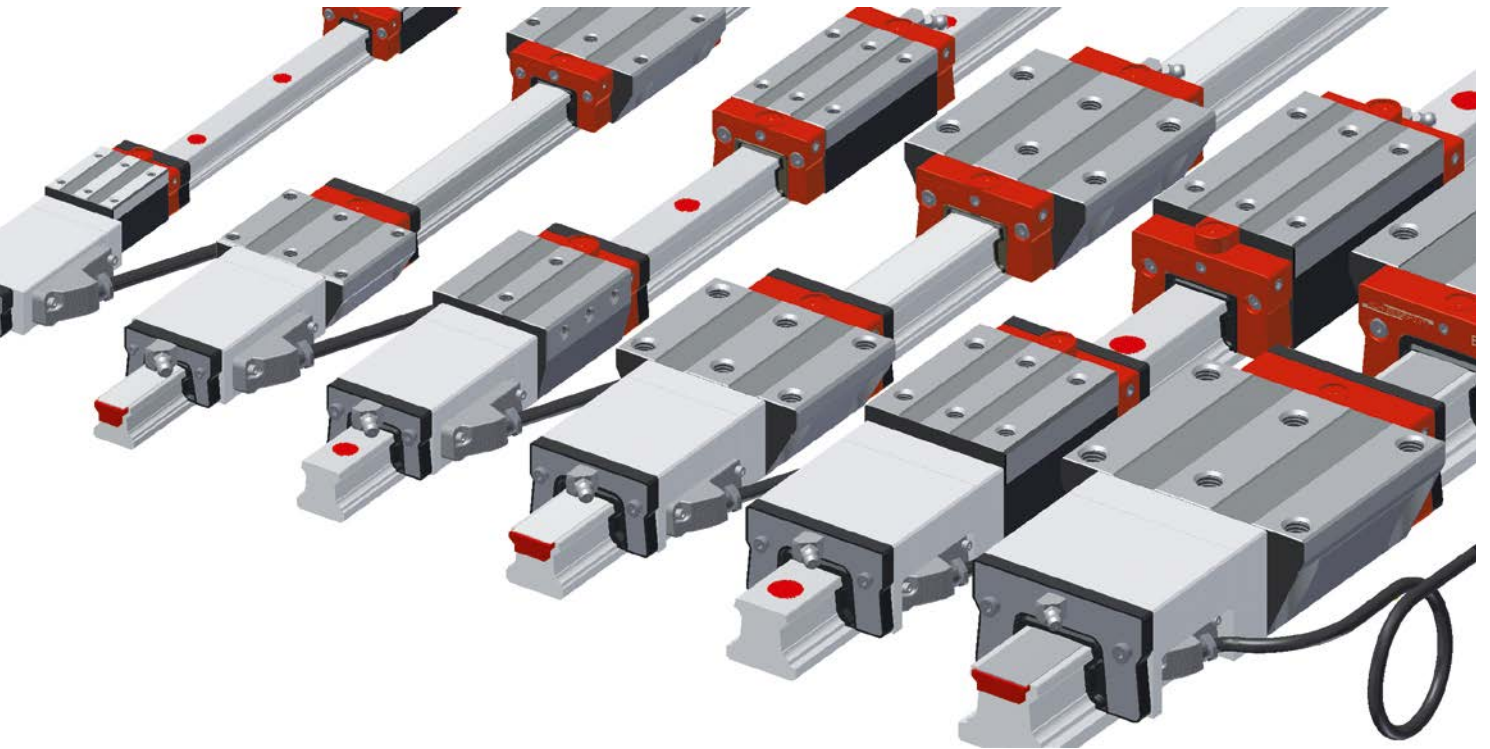
	1x	SMD 3B	-MD	-010	-80	-ZN
Quantity						
Reading head						
Interface						
Interpolation						
Frequency						
Reference pulse						

NB

Q.v. chapter 2 for a description of the options.

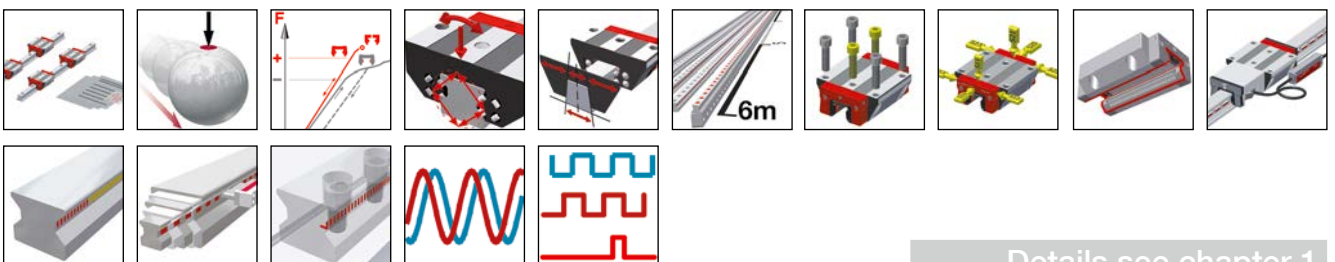
8.0 MONORAIL AMS 4B

SCHNEEBERGER
LINEAR TECHNOLOGY



SCHNEEBERGER's MONORAIL AMS 4B is an integrated measuring system for distance measurement for use on all protected machine tool axes with lower machining forces and high demands on system precision. Mechanically the AMS 4B is based on SCHNEEBERGER's MONORAIL BM ball guide with lengths up to 6 metres. The integration of the measurement system allows very compact axes to be put together. A digital interface with a range of different resolutions for different maximum speeds, and an analog 1Vpp (200 µm signal period) interface are available as interfaces with the control system. Reference marks can be set at 50mm intervals or distance coded. Different options for carriage lubrication and sealing permit the best possible degree of adaptation to application requirements. The easily interchangeable reading head is identical for all sizes.

Features of System MONORAIL AMS 4B



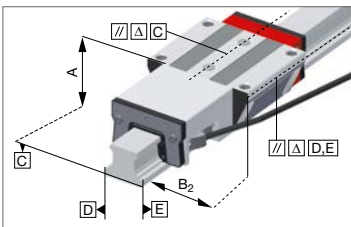
Details see chapter 1

8.1 Overview of types, sizes and available options 140



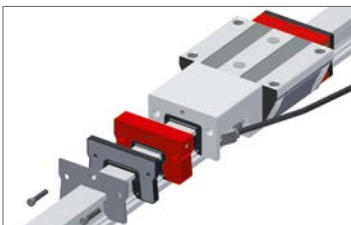
Product overview AMS 4B Rails	140
Product overview AMS 4B Carriages	141

8.2 Technical data and options 142



AMS 4B Size 15	142
AMS 4B Size 20	144
AMS 4B Size 25	146
AMS 4B Size 30	148
AMS 4B Size 35	150
AMS 4B Size 45	152

8.3 Accessories MONORAIL AMS 4B 154



Accessories overview	154
AMS 4B Rails accessory details	81
AMS 4B Carriages accessory details	83

8.4 Order key 155

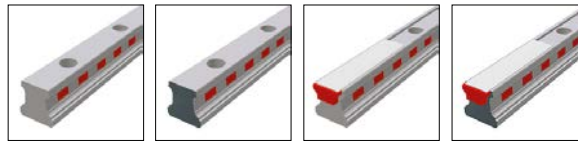


Order key AMSA 4B Rails	155
Order key AMSA 4B Carriages	155
Order key AMSA 4B Reading head (spare part)	155
Order key AMSD 4B Rails	156
Order key AMSD 4B Carriages	156
Order key AMSD 4B Reading head (spare part)	156

8.1 Overview of types, sizes and available options

AMS 4B Rails

Product overview AMS 4B Rails



	N standard	ND standard, through hardened	C for cover strip	CD for cover strip, through hardened		
Buildsizes / Rail build forms						
Size 15		AMS 4B S 15-ND		AMS 4B S 15-CD		
Size 20	AMS 4B S 20-N					
Size 25	AMS 4B S 25-N		AMS 4B S 25-C			
Size 30	AMS 4B S 30-N					
Size 35	AMS 4B S 35-N					
Size 45	AMS 4B S 45-N		AMS 4B S 45-C			
Features						
Screwable from above	●	●	●	●		
Small assembly effort			●	●		
Great single-part system length	●		●			
For the support of metal covers		●				

Available options for AMS 4B Rails

Details see chapter 2

Accuracy

- G0 Highly accurate
- G1 Very accurate
- G2 Accurate
- G3 Standard

Straightness

- KC Standard

Coating

- CN None
- CH Hard chromium

Locating sides

- R11 Ref.bottom, scale bottom
- R12 Ref.bottom, scale top
- R21 Ref.top, scale bottom
- R22 Ref.top, scale top

Magnetisierung

- TR50 50 mm Raster
- TD20 20 mm Code
- TD50 50 mm Code

Available accessories for AMS 4B Rails

Details see chapter 4.3

Plugs

Cover strips

Assembly tools

8.1 Overview of types, sizes and available options

AMS 4B Carriages

Product overview AMS 4B Carriages



A standard	B standard, long	C compact, high	D compact, high, long	E compact, high, for lateral fixing	F compact	G compact, long
----------------------	----------------------------	---------------------------	---------------------------------	---	---------------------	---------------------------

Buildsizes / Carriage build forms

Size 15	AMS 4B W 15-A		AMS 4B W 15-C			AMS 4B W 15-F	
Size 20	AMS 4B W 20-A	AMS 4B W 20-B	AMS 4B W 20-C	AMS 4B W 20-D			
Size 25	AMS 4B W 25-A	AMS 4B W 25-B	AMS 4B W 25-C	AMS 4B W 25-D	AMS 4B W 25-E	AMS 4B W 25-F	AMS 4B W 25-G
Size 30	AMS 4B W 30-A	AMS 4B W 30-B	AMS 4B W 30-C	AMS 4B W 30-D	AMS 4B W 30-E	AMS 4B W 30-F	AMS 4B W 30-G
Size 35	AMS 4B W 35-A	AMS 4B W 35-B	AMS 4B W 35-C	AMS 4B W 35-D	AMS 4B W 35-E	AMS 4B W 35-F	AMS 4B W 35-G
Size 45	AMS 4B W 45-A	AMS 4B W 45-B	AMS 4B W 45-C	AMS 4B W 45-D		AMS 4B W 45-F	AMS 4B W 45-G

Features

Screwable from above		•	•	•		•	•
Screwable from below	•	•					
Screwable from the side					•		
For high loads and moments		•		•			•
For medium loads and moments	•		•		•	•	
For limited installation space						•	•

Available options for AMS 4B Carriages

Details see chapter 2

Accuracy

- G0** Highly accurate
- G1** Very accurate
- G2** Accurate
- G3** Standard

Preload

- V0** Very Low
- V1** Low
- V2** Medium
- V3** High

Reference side

- R1** Ref. at bottom
- R2** Ref. on top

Coating

- CN** None
- CH** Hard chromium

Lube connections

- S10** Left center
- S20** Right center
- S11** Top left
- S21** Top right
- S12** Lower left side
- S22** Lower right side

- S13** Upper left side
- S23** Upper right side
- S32** Left side
- S42** Right side
- S49** P1: S10+S12+S13
locked using threaded pins
- S49** P3: S20+S22+S23
locked using threaded pins

Lubrication

- LN** Oil protect
- LG** Grease protect
- LV** Full greasing

Interface

- TMU** TMU, analog, 0.3m
- TRU** TRU, analog, 3m
- TSU** TSU, analog, 3m
- TMD** TMD, digital, 0.3m
- TRD** TRD, digital, 3m
- TSD** TSD, digital, 3m

Reading head position

- P1** Right top
- P3** Left bottom

Note: P2/P4 on request

Available accessories for AMS 4B Carriages

Details see chapter 2.1 and 4.3

Additional wipers
Metal wiper

Bellows
Lube nipples

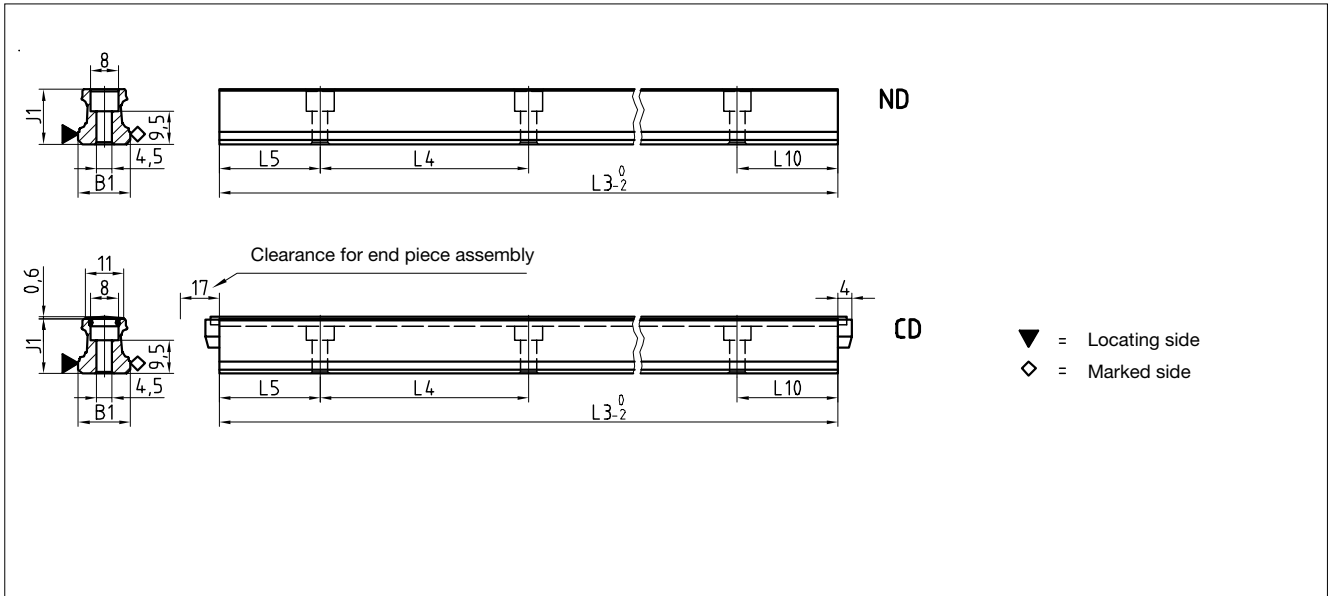
Assembly rails
Lube adapters

Lubrication plates
Cables

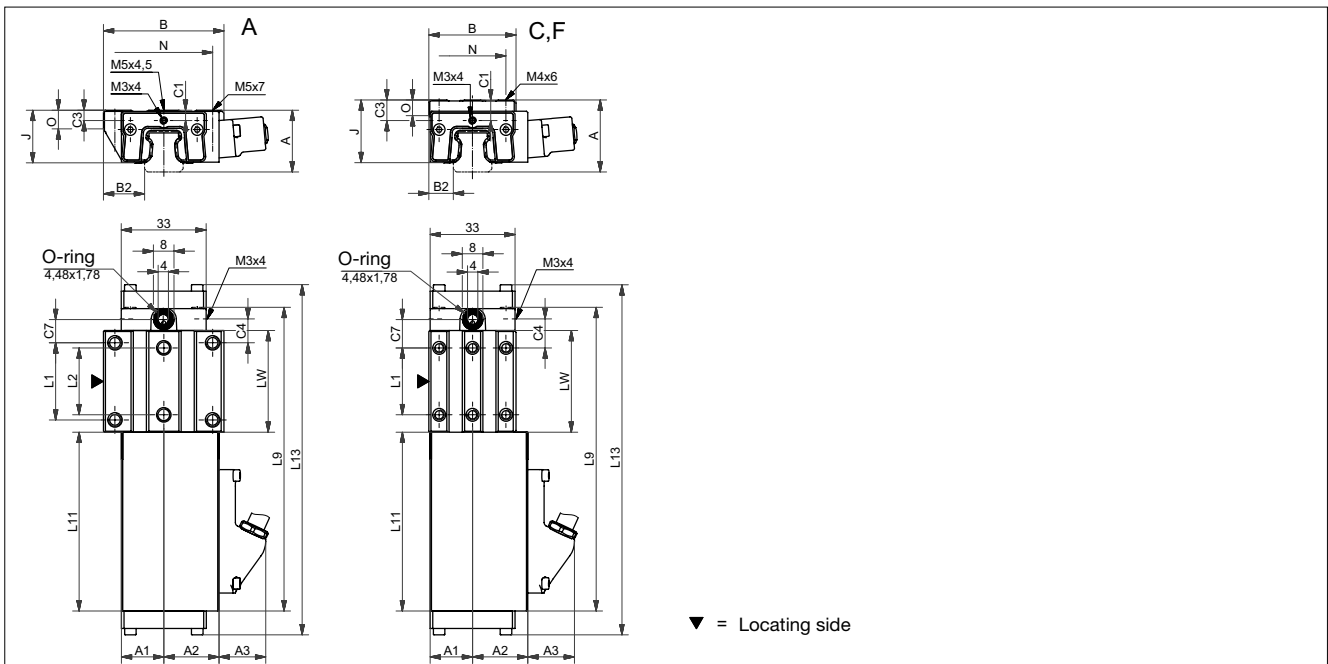
8.2 Technical data and options

AMS 4B Size 15

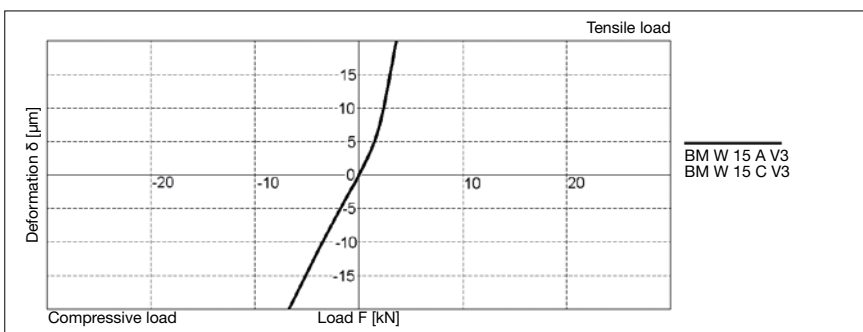
AMS 4B S 15 Drawings



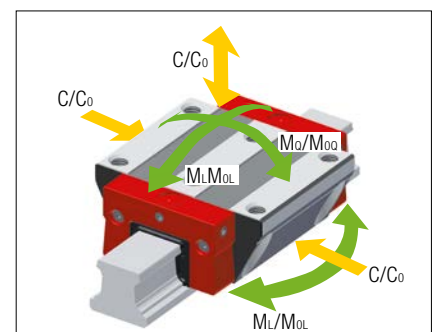
AMS 4B W 15 Drawings



AMS 4B W 15 Rigidity diagram



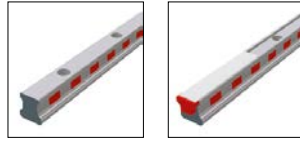
AMS 4B W 15 Load rating



8.2 Technical data and options

AMS 4B Size 15

AMS 4B S 15 Dimensions



	AMS 4B S 15-ND	AMS 4B S 15-CD			
B1: Rail width	15	15			
J1: Rail height	15.7	15.7			
L3: Rail length max.	1500	1500			
L4: Spacing of fixing holes	60	60			
L5/L10: Position of first/last fixing hole	28.5	28.5			
Gew.: Rail weight, specific (kg/m)	1.4	1.3			

Available options for AMS 4B S 15



AMS 4B W 15 Dimensions and capacities



	AMS 4B W 15-A	AMS 4B W 15-C	AMS 4B W 15-F		
A: System height	24	28	24		
A1: Half width of housing on opposite side	16.5	16.5	16.5		
A2: Half width of housing on reading head side	21.5	21.5	21.5		
A3: Projection of reading head	17.5	17.5	17.5		
B: Carriage width	47	34	34		
B2: Distance between locating faces	16	9.5	9.5		
C1: Position of center front lube hole	4	8	4		
C3: Position of lateral lube hole	3.7	7.7	3.7		
C4: Position of lateral lube hole	9.3	11.3	11.3		
C7: Position of top lube hole	9.05	11.05	11.05		
J: Carriage height	20.4	24.4	20.4		
L1: Exterior fixing hole spacing	30	26	26		
L2: Interior fixing hole spacing	26	-	-		
L9: Carriage length with housing	117.6	117.6	117.6		
L11: Housing length	69.5	69.5	69.5		
L13: Total length measuring carriage	136.6	136.6	136.6		
Lw: Inner carriage body length	39.6	39.6	39.6		
N: Lateral fixing hole spacing	38	26	26		
O: Reference face height	7	6	5.5		
Capacities and weights					
C0: Static load capacity (N)	19600	19600	19600		
C100: Dynamic load capacity (N)	9000	9000	9000		
MOQ: Static cross moment capacity (Nm)	181	181	181		
MOL: Static longitud. moment capacity (Nm)	146	146	146		
MQ: Dyn. cross moment capacity (Nm)	83	83	83		
ML: Dyn. longitud. moment capacity (Nm)	67	67	67		
Gew: Carriage weight (kg)	0.8	0.8	0.7		

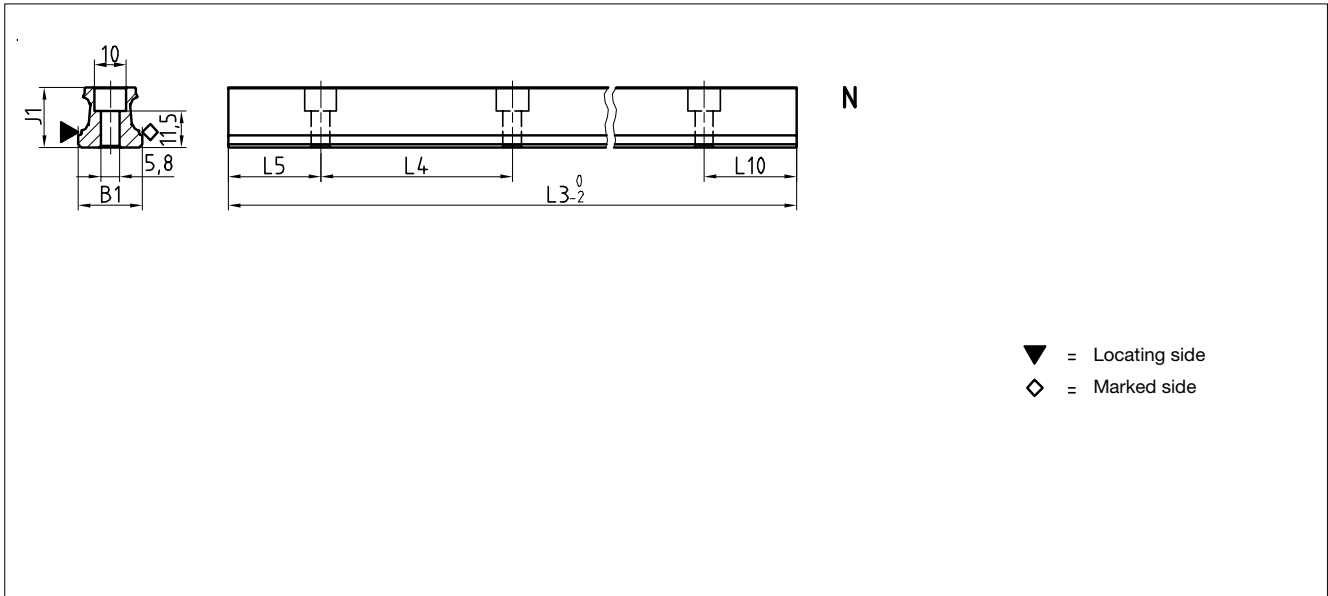
Available options for AMS 4B W 15



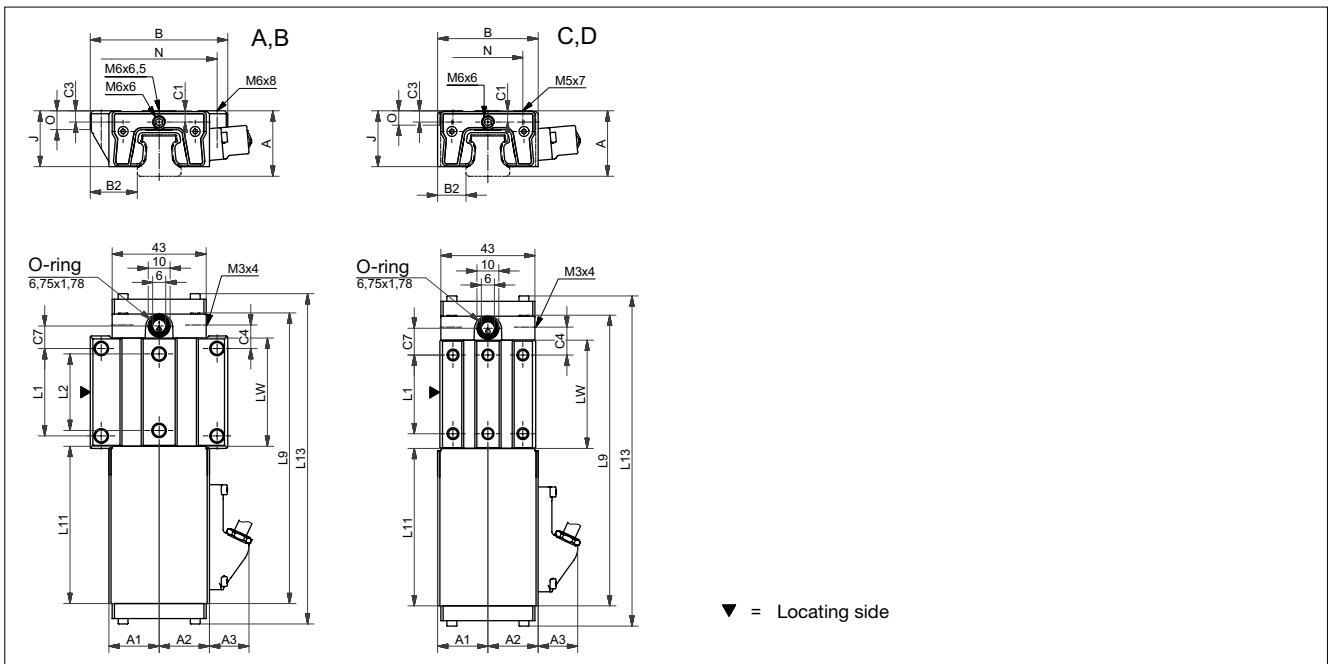
8.2 Technical data and options

AMS 4B Size 20

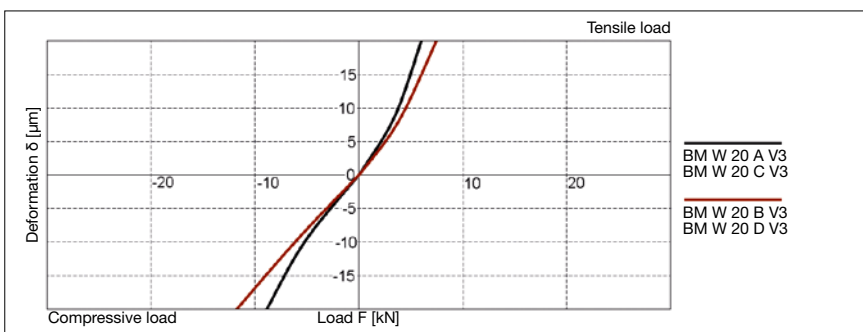
AMS 4B S 20 Drawings



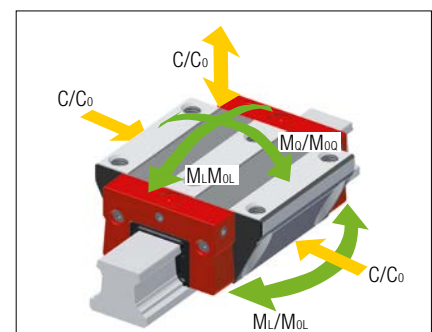
AMS 4B W 20 Drawings



AMS 4B W 20 Rigidity diagram



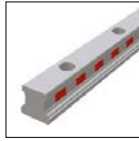
AMS 4B W 20 Load rating



8.2 Technical data and options

AMS 4B Size 20

AMS 4B S 20 Dimensions



		AMS 4B S 20-N				
B1:	Rail width	20				
J1:	Rail height	19				
L3:	Rail length max.	3000				
L4:	Spacing of fixing holes	60				
L5/L10:	Position of first/last fixing hole	28.5				
Gew.:	Rail weight, specific (kg/m)	2.2				

Available options for AMS 4B S 20



AMS 4B W 20 Dimensions and capacities



	AMS 4B W 20-A	AMS 4B W 20-B	AMS 4B W 20-C	AMS 4B W 20-D		
A:	System height	30	30	30	30	
A1:	Half width of housing on opposite side	23.9	23.9	23.9	23.9	
A2:	Half width of housing on reading head side	23.9	23.9	23.9	23.9	
A3:	Projection of reading head	17.5	17.5	17.5	17.5	
B:	Carriage width	63	63	44	44	
B2:	Distance between locating faces	21.5	21.5	12	12	
C1:	Position of center front lube hole	5.2	5.2	5.2	5.2	
C3:	Position of lateral lube hole	4.6	4.6	4.6	4.6	
C4:	Position of lateral lube hole	10.75	18.75	12.75	13.75	
C7:	Position of top lube hole	10.25	18.25	12.25	13.25	
J:	Carriage height	25.5	25.5	25.5	25.5	
L1:	Exterior fixing hole spacing	40	40	36	50	
L2:	Interior fixing hole spacing	35	35	-	-	
L9:	Carriage length with housing	132.5	148.5	132.5	148.5	
L11:	Housing length	72	72	72	72	
L13:	Total length measuring carriage	151.5	167.5	151.5	167.5	
Lw:	Inner carriage body length	49.5	65.5	49.5	65.5	
N:	Lateral fixing hole spacing	53	53	32	32	
O:	Reference face height	8	8	6	6	

Capacities and weights

C0:	Static load capacity (N)	31400	41100	31400	41100	
C100:	Dynamic load capacity (N)	14400	17400	14400	17400	
MOQ:	Static cross moment capacity (Nm)	373	490	373	490	
MOL:	Static longitud. moment capacity (Nm)	292	495	292	495	
MQ:	Dyn. cross moment capacity (Nm)	171	206	171	206	
ML:	Dyn. longitud. moment capacity (Nm)	134	208	134	208	
Gew.:	Carriage weight (kg)	1.0	1.2	0.9	1.0	

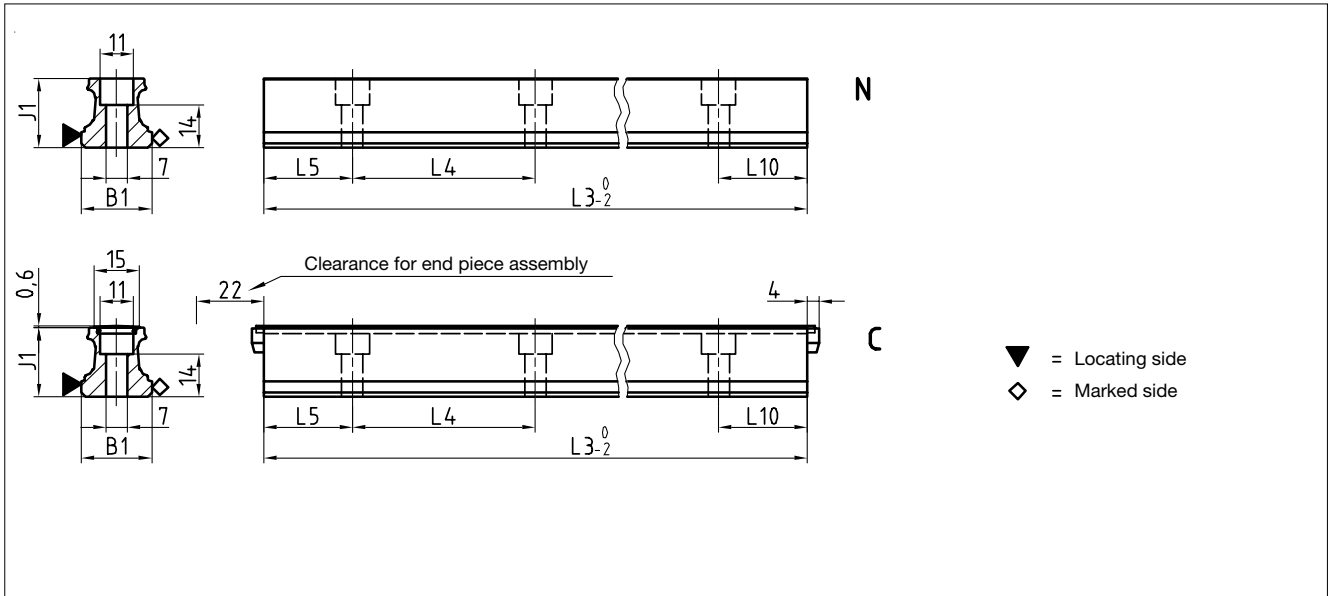
Available options for AMS 4B W 20



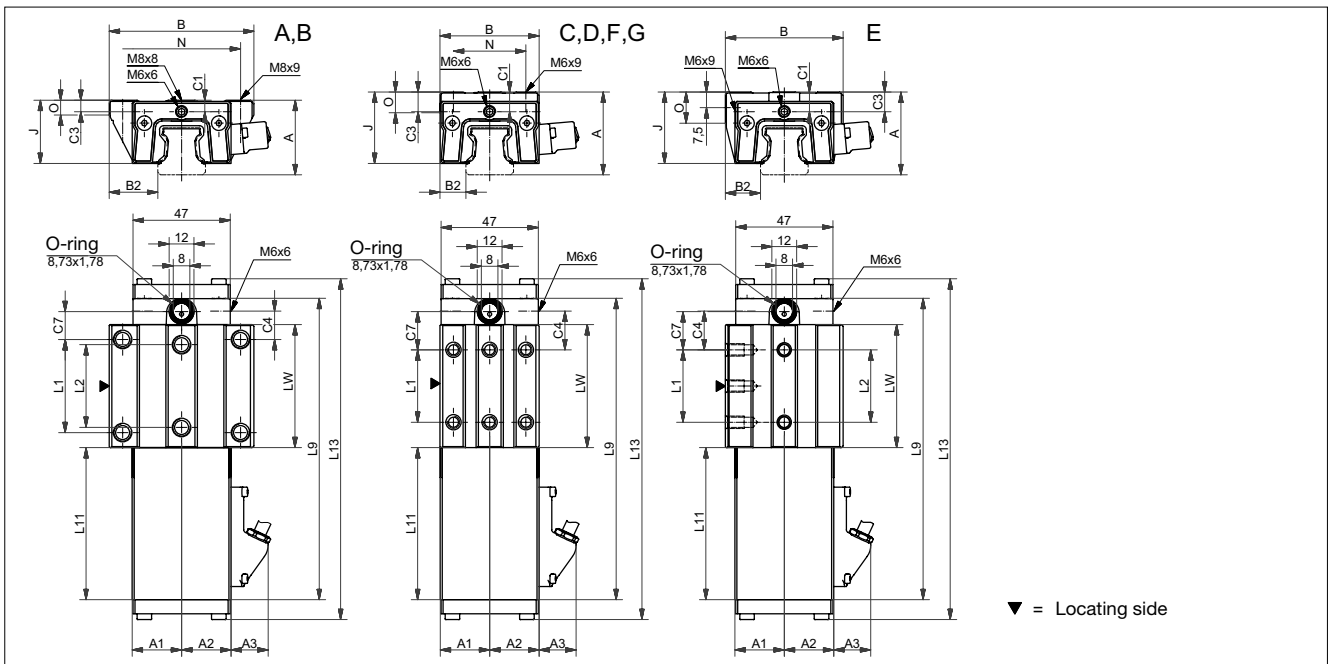
8.2 Technical data and options

AMS 4B Size 25

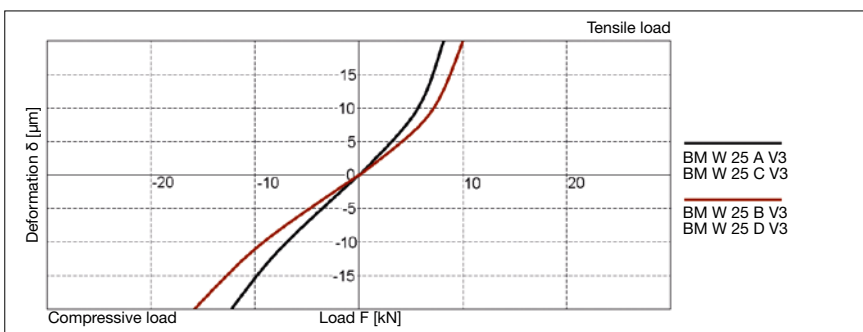
AMS 4B S 25 Drawings



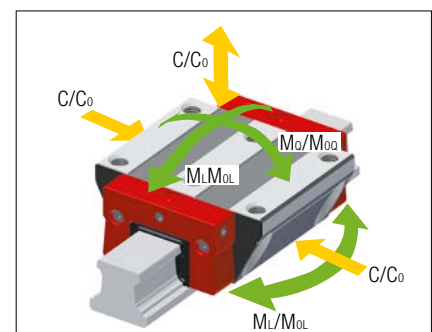
AMS 4B W 25 Drawings



AMS 4B W 25 Rigidity diagram



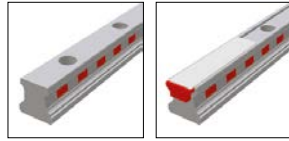
AMS 4B W 25 Load rating



8.2 Technical data and options

AMS 4B Size 25

AMS 4B S 25 Dimensions



	AMS 4B S 25-N	AMS 4B S 25-C			
B1: Rail width	23	23			
J1: Rail height	22.7	22.7			
L3: Rail length max.	6000	3000			
L4: Spacing of fixing holes	60	60			
L5/L10: Position of first/last fixing hole	28.5	28.5			
Gew.: Rail weight, specific (kg/m)	3.0	2.8			

Available options for AMS 4B S 25

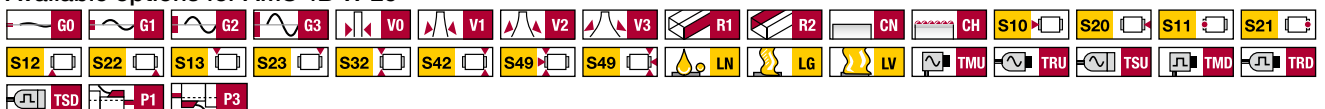


AMS 4B W 25 Dimensions and capacities



	AMS 4B W 25-A	AMS 4B W 25-B	AMS 4B W 25-C	AMS 4B W 25-D	AMS 4B W 25-E	AMS 4B W 25-F	AMS 4B W 25-G
A: System height	36	36	40	40	40	36	36
A1: Half width of housing on opposite side	23.9	23.9	23.9	23.9	23.9	23.9	23.9
A2: Half width of housing on reading head side	23.9	23.9	23.9	23.9	23.9	23.9	23.9
A3: Projection of reading head	17.3	17.3	17.3	17.3	17.3	17.3	17.3
B: Carriage width	70	70	48	48	57	48	48
B2: Distance between locating faces	23.5	23.5	12.5	12.5	17	12.5	12.5
C1: Position of center front lube hole	5.5	5.5	9.5	9.5	9.5	5.5	5.5
C3: Position of lateral lube hole	5.5	5.5	9.5	9.5	9.5	5.5	5.5
C4: Position of lateral lube hole	13.75	23.25	18.75	20.75	18.75	18.75	20.75
C7: Position of top lube hole	13.5	23	18.5	20.5	18.5	18.5	20.5
J: Carriage height	30.5	30.5	34.5	34.5	34.5	30.5	30.5
L1: Exterior fixing hole spacing	45	45	35	50	35	35	50
L2: Interior fixing hole spacing	40	40	-	-	-	-	-
L9: Carriage length with housing	145.5	164.5	145.5	164.5	145.5	145.5	164.5
L11: Housing length	73.5	73.5	73.5	73.5	73.5	73.5	73.5
L13: Total length measuring carriage	165.1	184.1	165.1	184.1	165.1	165.1	184.1
Lw: Inner carriage body length	59.5	78.5	59.5	78.5	59.5	59.5	78.5
N: Lateral fixing hole spacing	57	57	35	35	-	35	35
O: Reference face height	7	7	11	11	15	7.1	7.1
Capacities and weights							
C0: Static load capacity (N)	46100	60300	46100	60300	46100	46100	60300
C100: Dynamic load capacity (N)	21100	25500	21100	25500	21100	21100	25500
MOQ: Static cross moment capacity (Nm)	631	825	631	825	631	631	825
MOL: Static longitud. moment capacity (Nm)	513	863	513	863	513	513	863
MQ: Dyn. cross moment capacity (Nm)	289	349	289	349	289	289	349
ML: Dyn. longitud. moment capacity (Nm)	235	365	235	365	235	235	365
Gew: Carriage weight (kg)	1.3	1.5	1.2	1.4	1.3	1.1	1.3

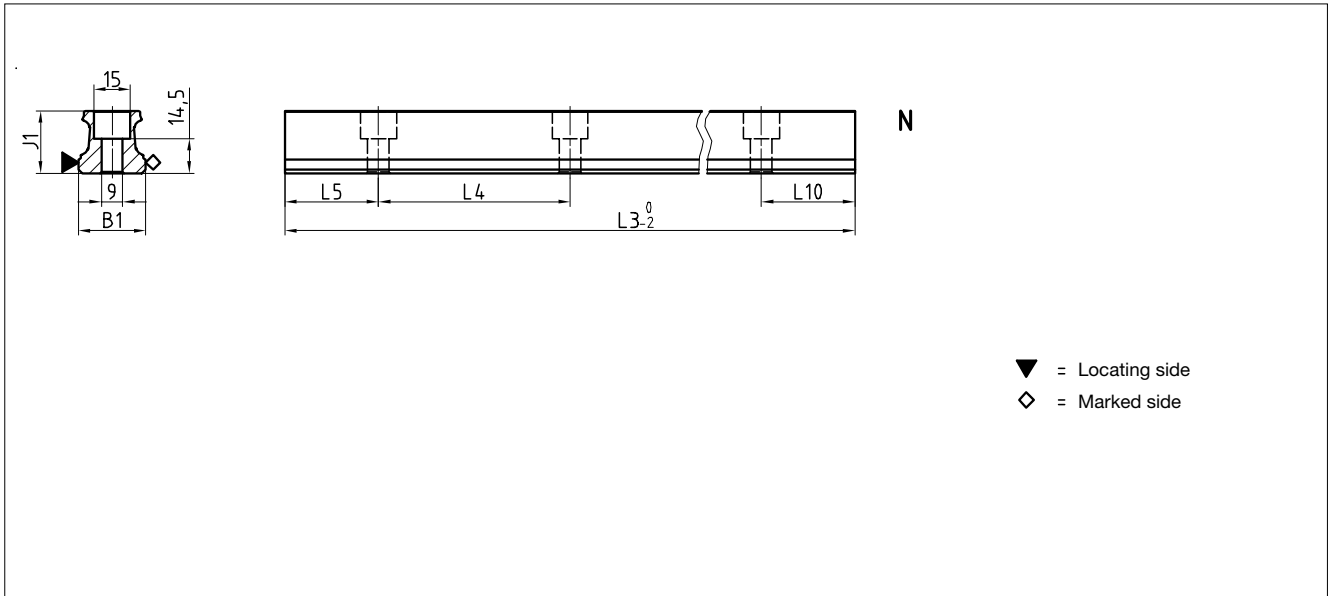
Available options for AMS 4B W 25



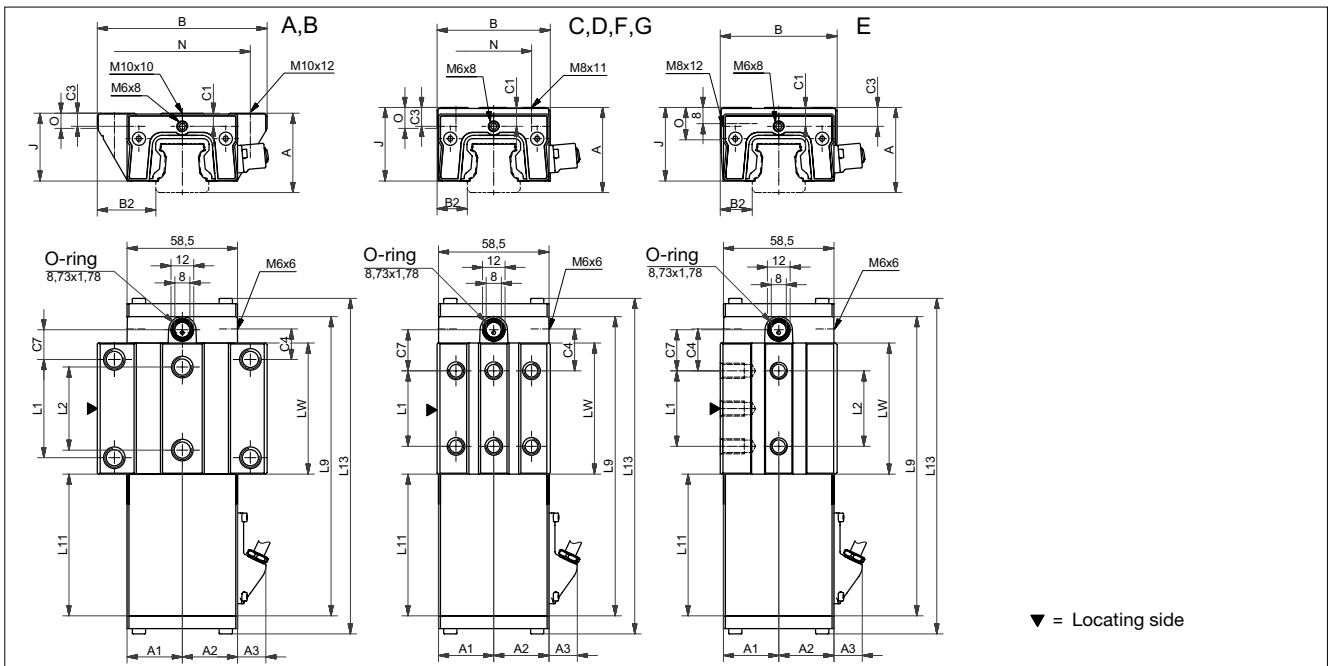
8.2 Technical data and options

AMS 4B Size 30

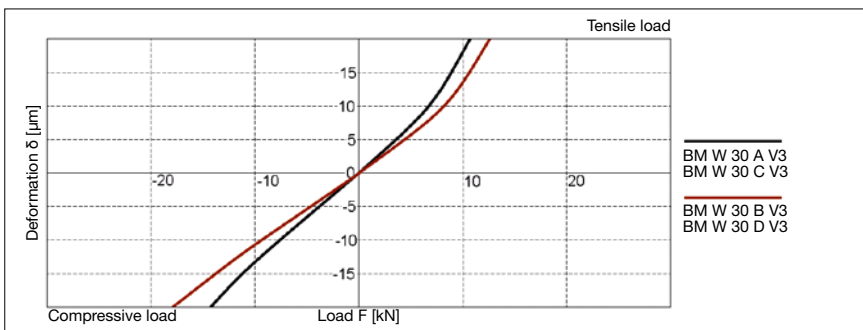
AMS 4B S 30 Drawings



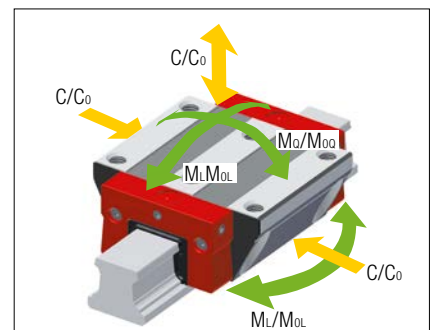
AMS 4B W 30 Drawings



AMS 4B W 30 Rigidity diagram



AMS 4B W 30 Load rating



8.2 Technical data and options

AMS 4B Size 30

AMS 4B S 30 Dimensions



		AMS 4B S 30-N			
B1:	Rail width	28			
J1:	Rail height	26			
L3:	Rail length max.	6000			
L4:	Spacing of fixing holes	80			
L5/L10:	Position of first/last fixing hole	38.5			
Gew.:	Rail weight, specific (kg/m)	4.3			

Available options for AMS 4B S 30

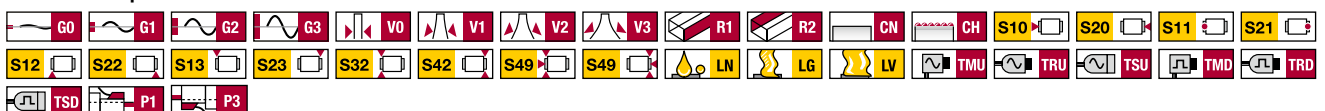


AMS 4B W 30 Dimensions and capacities



	AMS 4B W 30-A	AMS 4B W 30-B	AMS 4B W 30-C	AMS 4B W 30-D	AMS 4B W 30-E	AMS 4B W 30-F	AMS 4B W 30-G
A:	System height	42	42	45	45	45	42
A1:	Half width of housing on opposite side	29.3	29.3	29.3	29.3	29.3	29.3
A2:	Half width of housing on reading head side	29.3	29.3	29.3	29.3	29.3	29.3
A3:	Projection of reading head	14.4	14.4	14.4	14.4	14.4	14.4
B:	Carriage width	90	90	60	60	62	60
B2:	Distance between locating faces	31	31	16	16	17	16
C1:	Position of center front lube hole	7	7	10	10	10	7
C3:	Position of lateral lube hole	6	6	9	9	9	6
C4:	Position of lateral lube hole	16.2	27.2	22.2	23.2	22.2	23.2
C7:	Position of top lube hole	15.7	26.7	21.7	22.7	21.7	22.7
J:	Carriage height	35.9	35.9	38.9	38.9	38.9	35.9
L1:	Exterior fixing hole spacing	52	52	40	60	40	60
L2:	Interior fixing hole spacing	44	44	-	-	40	-
L9:	Carriage length with housing	158.4	180.4	158.4	180.4	158.4	180.4
L11:	Housing length	75	75	75	75	75	75
L13:	Total length measuring carriage	178	200	178	200	178	200
Lw:	Inner carriage body length	69.4	91.4	69.4	91.4	69.4	91.4
N:	Lateral fixing hole spacing	72	72	40	40	-	40
O:	Reference face height	7.8	7.8	11	11	17	8
Capacities and weights							
C0:	Static load capacity (N)	63700	83300	63700	83300	63700	83300
C100:	Dynamic load capacity (N)	29200	35300	29200	35300	29200	35300
MOQ:	Static cross moment capacity (Nm)	1084	1414	1084	1414	1084	1414
MOL:	Static longitud. moment capacity (Nm)	829	1390	829	1390	829	1390
MQ:	Dyn. cross moment capacity (Nm)	497	599	497	599	497	599
ML:	Dyn. longitud. moment capacity (Nm)	380	589	380	589	380	589
Gew:	Carriage weight (kg)	1.8	2.2	1.7	1.9	1.7	1.8

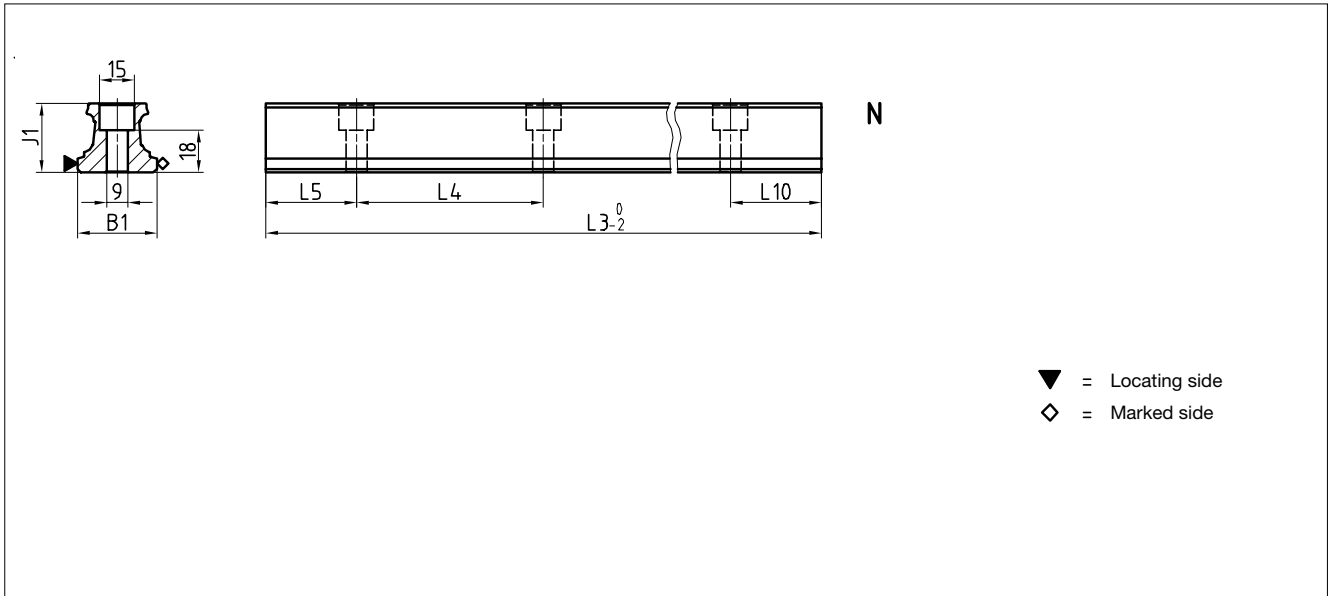
Available options for AMS 4B W 30



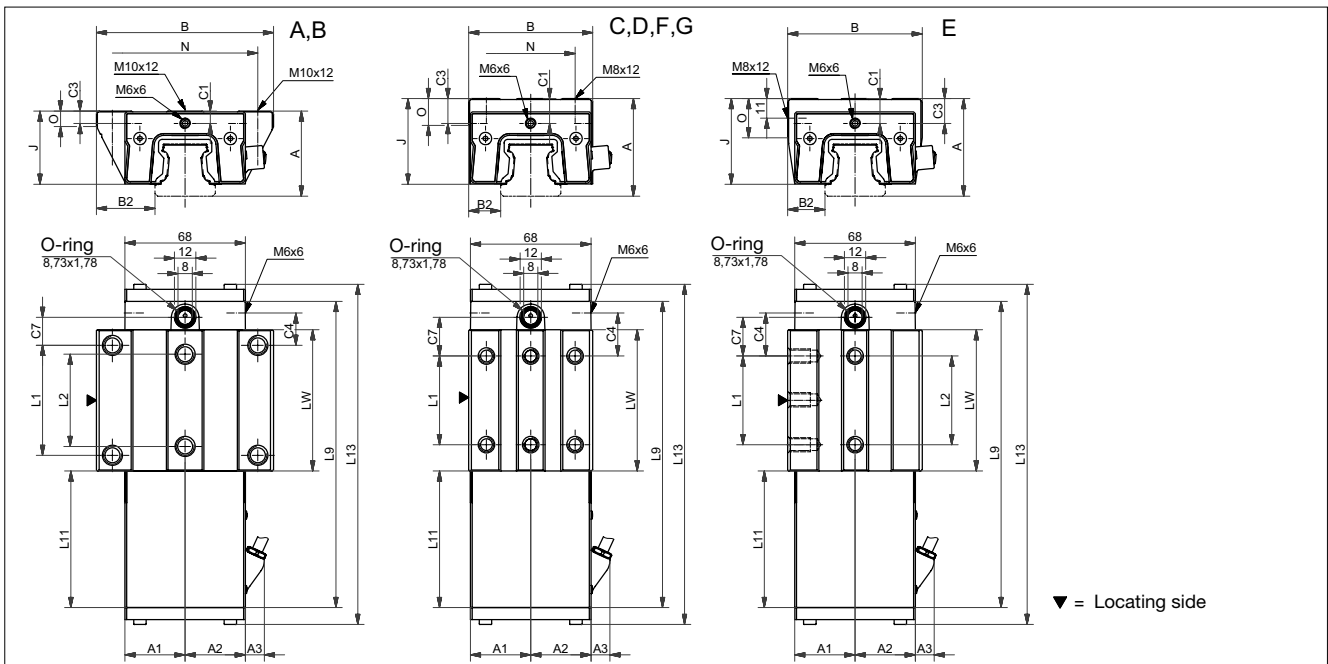
8.2 Technical data and options

AMS 4B Size 35

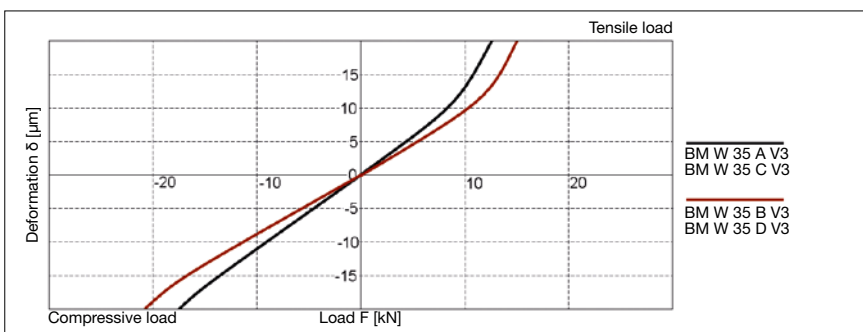
AMS 4B S 35 Drawings



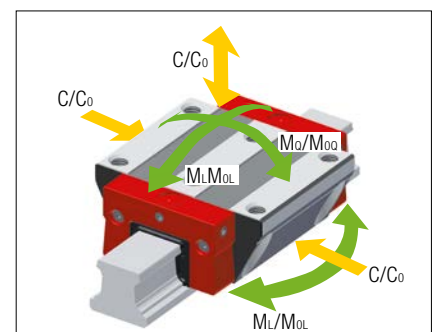
AMS 4B W 35 Drawings



AMS 4B W 35 Rigidity diagram



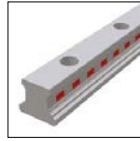
AMS 4B W 35 Load rating



8.2 Technical data and options

AMS 4B Size 35

AMS 4B S 35 Dimensions



		AMS 4B S 35-N				
B1:	Rail width	34				
J1:	Rail height	29.5				
L3:	Rail length max.	6000				
L4:	Spacing of fixing holes	80				
L5/L10:	Position of first/last fixing hole	38.5				
Gew.:	Rail weight, specific (kg/m)	5.4				

Available options for AMS 4B S 35

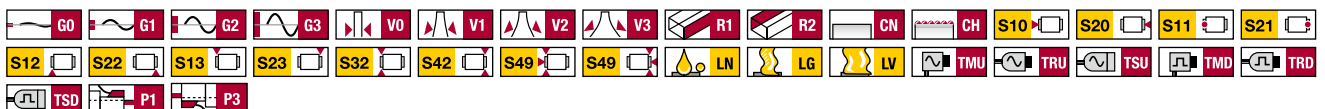


AMS 4B W 35 Dimensions and capacities



	AMS 4B W 35-A	AMS 4B W 35-B	AMS 4B W 35-C	AMS 4B W 35-D	AMS 4B W 35-E	AMS 4B W 35-F	AMS 4B W 35-G
A:	System height	48	48	55	55	55	48
A1:	Half width of housing on opposite side	34	34	34	34	34	34
A2:	Half width of housing on reading head side	34	34	34	34	34	34
A3:	Projection of reading head	10.1	10.1	10.1	10.1	10.1	10.1
B:	Carriage width	100	100	70	70	76	70
B2:	Distance between locating faces	33	33	18	18	21	18
C1:	Position of center front lube hole	7	7	14	14	14	7
C3:	Position of lateral lube hole	6.5	6.5	13.5	13.5	13.5	6.5
C4:	Position of lateral lube hole	18.3	31.05	24.3	26.05	24.3	26.05
C7:	Position of top lube hole	15.8	28.55	21.8	23.55	21.8	23.55
J:	Carriage height	41	41	48	48	48	41
L1:	Exterior fixing hole spacing	62	62	50	72	50	72
L2:	Interior fixing hole spacing	52	52	-	-	50	-
L9:	Carriage length with housing	172.6	198.1	172.6	198.1	172.6	198.1
L11:	Housing length	77	77	77	77	77	77
L13:	Total length measuring carriage	192.2	217.7	192.2	217.7	192.2	217.7
Lw:	Inner carriage body length	79.6	105.1	79.6	105.1	79.6	105.1
N:	Lateral fixing hole spacing	82	82	50	50	-	50
O:	Reference face height	8	8	15	15	22	8
Capacities and weights							
C0:	Static load capacity (N)	84400	110300	84400	110300	84400	110300
C100:	Dynamic load capacity (N)	38700	46700	38700	46700	38700	46700
MOQ:	Static cross moment capacity (Nm)	1566	2048	1566	2048	1566	2048
MOL:	Static longitud. moment capacity (Nm)	1252	2104	1252	2104	1252	2104
MQ:	Dyn. cross moment capacity (Nm)	718	867	718	867	718	867
ML:	Dyn. longitud. moment capacity (Nm)	574	891	574	891	574	891
Gew:	Carriage weight (kg)	2.5	3.0	2.5	3.0	2.5	2.5

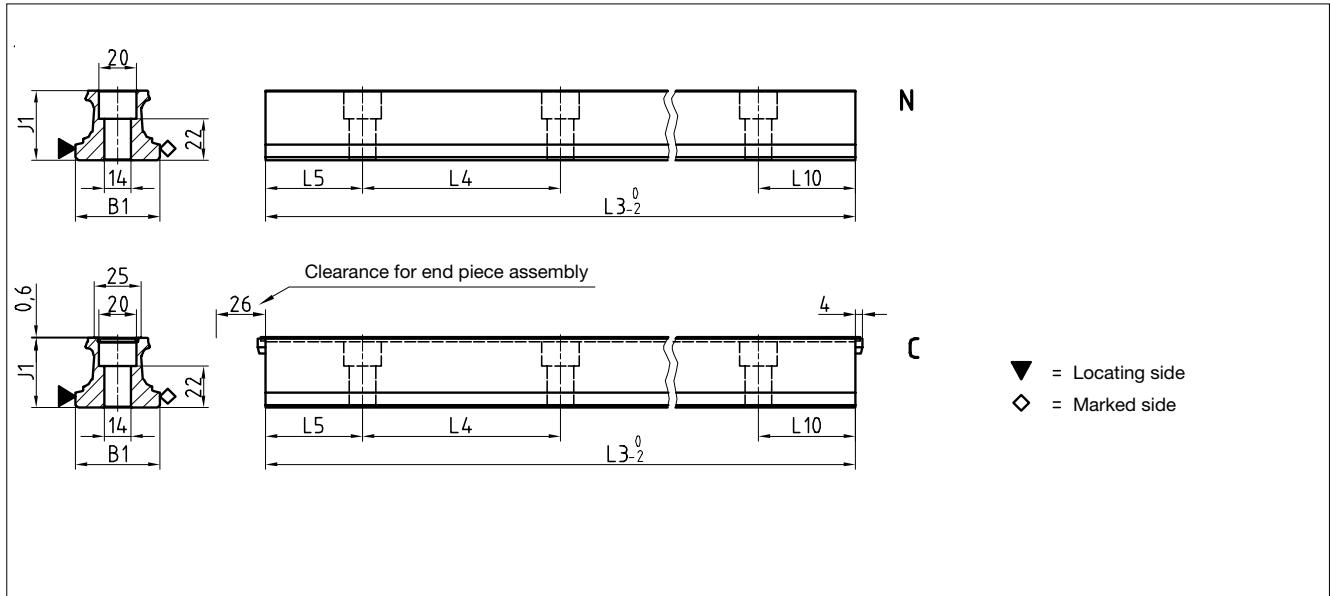
Available options for AMS 4B W 35



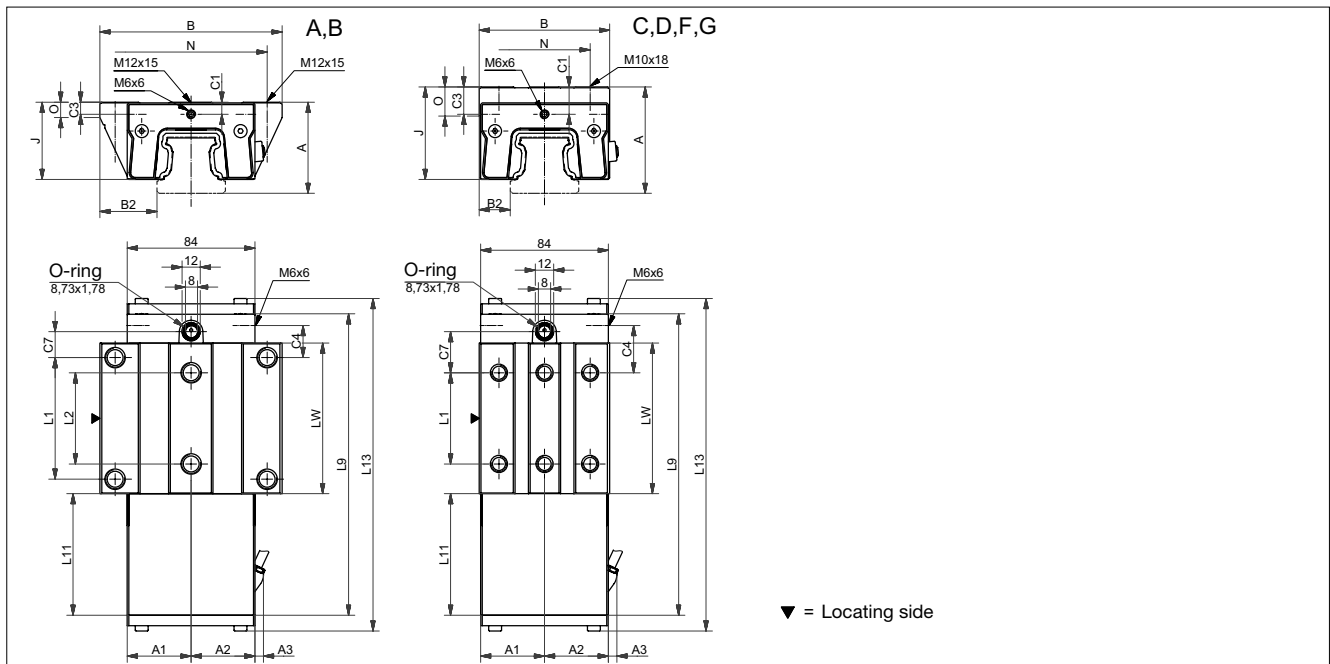
8.2 Technical data and options

AMS 4B Size 45

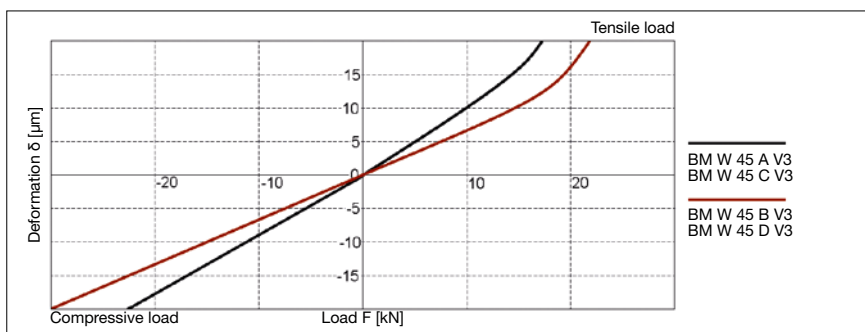
AMS 4B S 45 Drawings



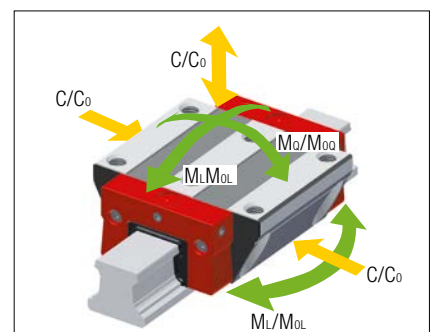
AMS 4B W 45 Drawings



AMS 4B W 45 Rigidity diagram



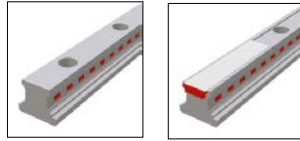
AMS 4B W 45 Load rating



8.2 Technical data and options

AMS 4B Size 45

AMS 4B S 45 Dimensions

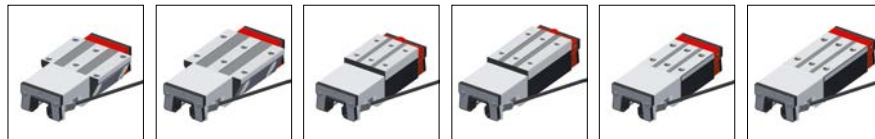


	AMS 4B S 45-N	AMS 4B S 45-C				
B1: Rail width	45	45				
J1: Rail height	37	37				
L3: Rail length max.	6000	6000				
L4: Spacing of fixing holes	105	105				
L5/L10: Position of first/last fixing hole	51	51				
Gew.: Rail weight, specific (kg/m)	8.8	8.6				

Available options for AMS 4B S 45



AMS 4B W 45 Dimensions and capacities

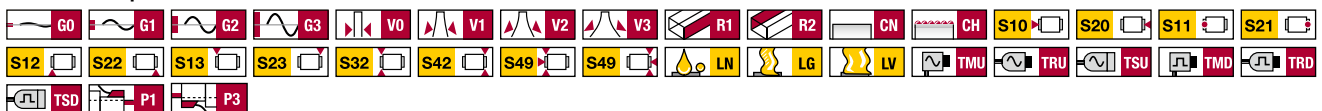


	AMS 4B W 45-A	AMS 4B W 45-B	AMS 4B W 45-C	AMS 4B W 45-D	AMS 4B W 45-F	AMS 4B W 45-G
A: System height	60	60	70	70	60	60
A1: Half width of housing on opposite side	42	42	42	42	42	42
A2: Half width of housing on reading head side	42	42	42	42	42	42
A3: Projection of reading head	5	5	5	5	5	5
B: Carriage width	120	120	86	86	86	86
B2: Distance between locating faces	37.5	37.5	20.5	20.5	20.5	20.5
C1: Position of center front lube hole	8	8	18	18	8	8
C3: Position of lateral lube hole	8	8	18	18	8	8
C4: Position of lateral lube hole	21.05	36.8	31.05	36.8	31.05	36.8
C7: Position of top lube hole	17.05	32.8	27.05	32.8	27.05	32.8
J: Carriage height	50.8	50.8	60.8	60.8	50.8	50.8
L1: Exterior fixing hole spacing	80	80	60	80	60	80
L2: Interior fixing hole spacing	60	60	-	-	-	-
L9: Carriage length with housing	198.1	229.6	198.1	229.6	198.1	229.6
L11: Housing length	80	80	80	80	80	80
L13: Total length measuring carriage	219.1	250.6	219.1	250.6	219.1	250.6
Lw: Inner carriage body length	99.1	130.6	99.1	130.6	99.1	130.6
N: Lateral fixing hole spacing	100	100	60	60	60	60
O: Reference face height	10	10	19	19	10	10

Capacities and weights

C0: Static load capacity (N)	134800	176300	134800	176300	134800	176300
C100: Dynamic load capacity (N)	61900	74700	61900	74700	61900	74700
MOQ: Static cross moment capacity (Nm)	3193	4175	3193	4175	3193	4175
MOL: Static longitud. moment capacity (Nm)	2498	4199	2498	4199	2498	4199
MQ: Dyn. cross moment capacity (Nm)	1466	1769	1466	1769	1466	1769
ML: Dyn. longitud. moment capacity (Nm)	1147	1779	1147	1779	1147	1779
Gew: Carriage weight (kg)	4.1	5.1	4.2	5.2	3.6	4.4

Available options for AMS 4B W 45



AMS 4B Rails accessories overview

Accessories	AMS 4B S 15	AMS 4B S 20	AMS 4B S 25	AMS 4B S 30	AMS 4B S 35	AMS 4B S 45	
Plugs:							
Plastic plugs	BRK 15	BRK 20	BRK 25	BRK 30	BRK 35	BRK 45	
Cover strips:							
Cover strip (spare part)	BAC 15	-	BAC 25	-	-	BAC 45	
End piece for cover strip (spare part)	EST 15-BAC	-	EST 25-BAC	-	-	EST 45-BAC	
Assembly tools:							
Installation tool for cover strip	BWC 15	-	BWC 25	-	-	BWC 45	

AMS 4B Carriages accessories overview

Accessories	AMS 4B W 15	AMS 4B W 20	AMS 4B W 25	AMS 4B W 30	AMS 4B W 35	AMS 4B W 45	
Additional wipers:							
Additional wipers Viton	ZBV 15	ZBV 20	ZBV 25	ZBV 30	ZBV 35	ZBV 45	
Metal wiper	ABM 15-A	ABM 20-A	ABM 25-A	ABM 30-A	ABM 35-A	ABM 45-A	
Bellows:							
Bellows	-	FBB 20	FBB 25	FBB 30	FBB 35	FBB 45	
Adapter plate for bellows (spare part)	-	ZPB 20	ZPB 25	ZPB 30	ZPB 35	ZPB 45	
End plate for bellows (spare part)	-	EPB 20	EPB 25	EPB 30	EPB 35	EPB 45	
Assembly rails:							
Assembly rail	MBM 15	MBM 20	MBM 25	MBM 30	MBM 35	MBM 45	
Lubrication plates:							
Lubrication plate	SPL 15-BM	SPL 20-BM	SPL 25-BM	SPL 30-BM	SPL 35-BM	SPL 45-BM	
Front plates:							
Cross wiper for front plate (spare part)	QAS 15-STB	QAS 20-STB	QAS 25-STB	QAS 30-STB	QAS 35-STB	QAS 45-STB	
Lube nipples:							
Hydraulic-type grease nipple straight	-	SN 6	SN 6	SN 6	SN 6	SN 6	
Hydraulic-type grease nipple 45°	-	SN 6-45	SN 6-45	SN 6-45	SN 6-45	SN 6-45	
Hydraulic-type grease nipple 90°	-	SN 6-90	SN 6-90	SN 6-90	SN 6-90	SN 6-90	
Flush type grease nipple M3	SN 3-T	SN 3-T	-	-	-	-	
Flush type grease nipple M6	-	SN 6-T	SN 6-T	SN 6-T	SN 6-T	SN 6-T	
Grease gun for SN 3-T und SN 6-T	SFP-T3	SFP-T3	SFP-T3	SFP-T3	SFP-T3	SFP-T3	
Lube adapters:							
Straight screw-in connection M3	SA 3-D3	SA 3-D3	-	-	-	-	
Lubrication adapter M8 round-head	-	SA 6-RD-M8	SA 6-RD-M8	SA 6-RD-M8	SA 6-RD-M8	SA 6-RD-M8	
Lubrication adapter M8 hexagon head	-	-	-	SA 6-6KT-M8	SA 6-6KT-M8	SA 6-6KT-M8	
Lubrication adapter G1/8 hexagon head	-	-	-	SA 6-6KT-G1/8	SA 6-6KT-G1/8	SA 6-6KT-G1/8	
Swivel screw connection for pipe d=4 mm	-	SV 6-D4	SV 6-D4	SV 6-D4	SV 6-D4	SV 6-D4	
Swivel screw connection M6	-	SV 6-M6	SV 6-M6	SV 6-M6	SV 6-M6	SV 6-M6	
Swivel screw connection M6 long	-	SV 6-M6-L	SV 6-M6-L	SV 6-M6-L	SV 6-M6-L	SV 6-M6-L	
Swivel screw connection M8	-	SV 6-M8	SV 6-M8	SV 6-M8	SV 6-M8	SV 6-M8	
Swivel screw connection M8 long	-	SV 6-M8-L	SV 6-M8-L	SV 6-M8-L	SV 6-M8-L	SV 6-M8-L	
Cables:							
Connecting cable, 12-pole	KAO 12-X	KAO 12-X	KAO 12-X	KAO 12-X	KAO 12-X	KAO 12-X	
Connecting cable, 12-pole	KAO 13-X	KAO 13-X	KAO 13-X	KAO 13-X	KAO 13-X	KAO 13-X	
Connecting cable, 12-pole	KAO 14-X	KAO 14-X	KAO 14-X	KAO 14-X	KAO 14-X	KAO 14-X	
Connecting cable, 12-pole	KAO 15-X	KAO 15-X	KAO 15-X	KAO 15-X	KAO 15-X	KAO 15-X	
Connecting cable, 12-pole	KAO 16-X	KAO 16-X	KAO 16-X	KAO 16-X	KAO 16-X	KAO 16-X	

8.4 Order key

Analog

Individual guide rails and carriages are ordered in accordance with the order codes described below.

AMS 4B carriages consist of guide carriage, casing and reading head.

All MONORAIL BM carriages can also be used with AMS 4B rails.

Q.v. chapter 2 and chapter 4.3 for the order key for accessories.

Separate order codes are used in each case for rails, carriages and accessories. This also applies to different versions of rails and carriages.

All guide components are supplied individually as standard, i.e. unassembled.

If required, SCHNEEBERGER can also supply rails and carriages assembled incl. accessories as complete systems. Please note the ordering instructions in chapter 2.4 if this applies.

The order code for the AMS 4B systems is made up of two groups. For the AMS system with an analog interface, the code is AMSA. The AMS system with a digital interface is referred to as AMSD.

Order code for AMSA 4B Rails

	1x	AMSA 4B S	25	-N	-G3	-KC	-R12	-958	-29	-29	-CN	-TR50
Quantity												
Rail												
Size												
Type												
Accuracy												
Straightness												
Reference side												
Rail length L3												
Position of first fixing hole L5												
Position of last fixing hole L10												
Coating												
Magnetization												

NB

Q.v. chapter 8.1 to 8.3 for an overview of types, details of shapes, available options and accessories.

Q.v. chapter 2 for a description of the options.

If possible, standard lengths are preferred for L3 rail length.

These are calculated with the table values in chapter 8.2 using the following formula: $L3 = n \times L4 + L5 + L10 \leq L3max$.

Order code for AMSA 4B Carriages

	1x	AMSA 4B W	25	-A	-P1	-G3	-V1	-R1	-CN	-S10	-LN	-TSU
Quantity												
Carriage												
Size												
Type												
Reading head position												
Accuracy												
Preload												
Reference side												
Coating												
Lube connection												
Lubrication as delivered condition												
Interface												

NB

Q.v. chapter 8.1 to 8.3 for an overview of types, details of shapes, available options and accessories.

Q.v. chapter 2 for a description of the options.

Order code for AMSA 4B Reading head (spare part)

	1x	SMA 4B	-MU
Quantity			
Reading head			
Interface			

NB

Q.v. chapter 2 for a description of the options.

8.4 Order key

Digital

Order code for AMSD 4B Rails

	1x	AMSD 4B S	25	-N	-G3	-KC	-R12	-958	-29	-29	-CN	-TR50
Quantity												
Rail												
Size												
Type												
Accuracy												
Straightness												
Reference side												
Rail length L3												
Position of first fixing hole L5												
Position of last fixing hole L10												
Coating												
Magnetization												

NB

Q.v. chapter 8.1 to 8.3 for an overview of types, details of shapes, available options and accessories.

Q.v. chapter 2 for a description of the options.

If possible, standard lengths are preferred for L3 rail length.

These are calculated with the table values in chapter 8.2 using the following formula: $L3 = n \times L4 + L5 + L10 \leq L3max$.

Order code for AMSD 4B Carriages

	1x	AMSD 4B W	25	-A	-P1	-G3	-V1	-R1	-CN	-S10	-LN	-TSD	-050	-80	ZN
Quantity															
Carriage															
Size															
Type															
Reading head position															
Accuracy															
Preload															
Reference side															
Coating															
Lube connection															
Lubrication as delivered condition															
Interface															
Interpolation															
Frequency															
Reference pulse															

NB

Q.v. chapter 8.1 to 8.3 for an overview of types, details of shapes, available options and accessories.

Q.v. chapter 2 for a description of the options.

Order code for AMSD 4B Reading head (spare part)

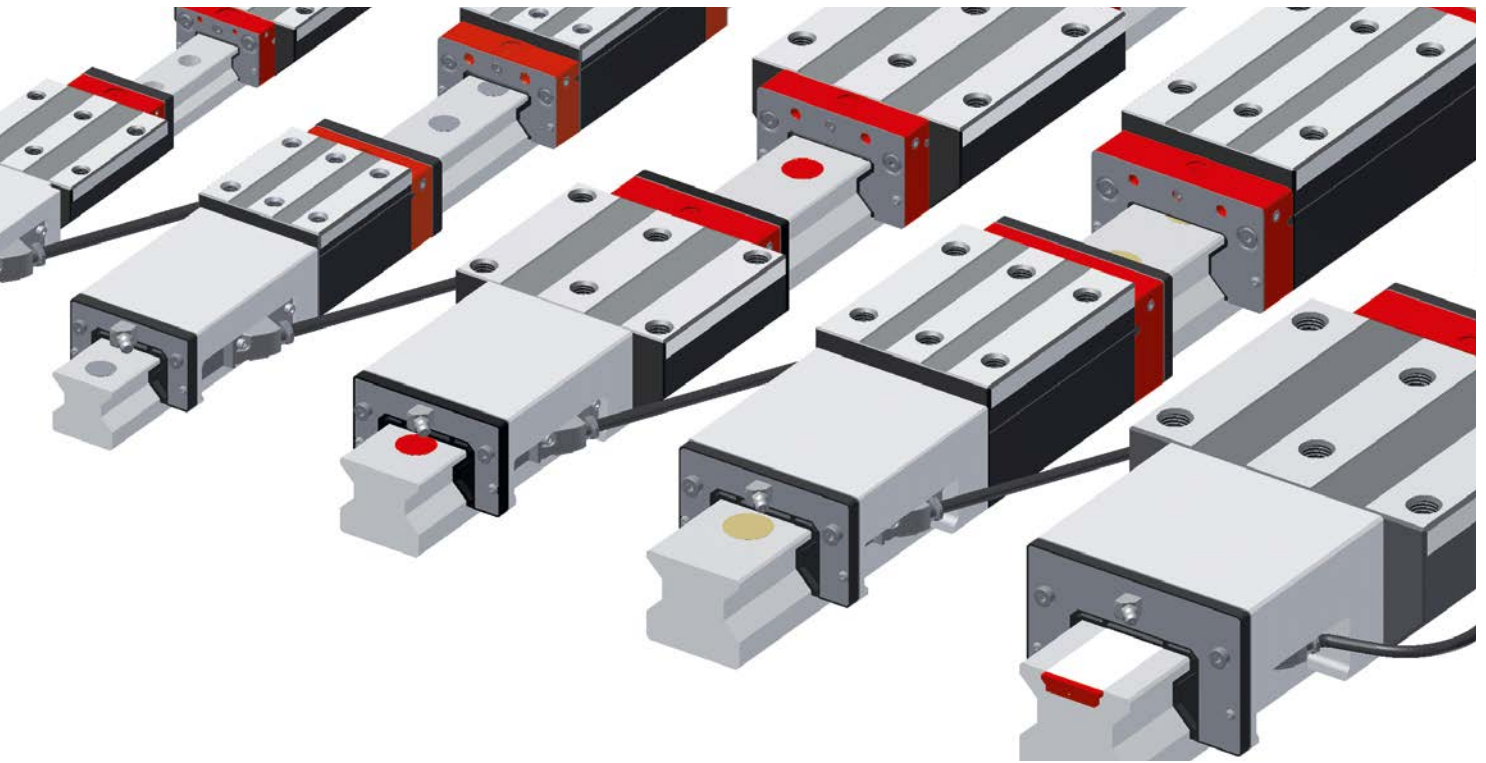
	1x	SMD 4B	-MD	-010	-80	-ZN
Quantity						
Reading head						
Interface						
Interpolation						
Frequency						
Reference pulse						

NB

Q.v. chapter 2 for a description of the options.

9.0 MONORAIL AMSABS 3B

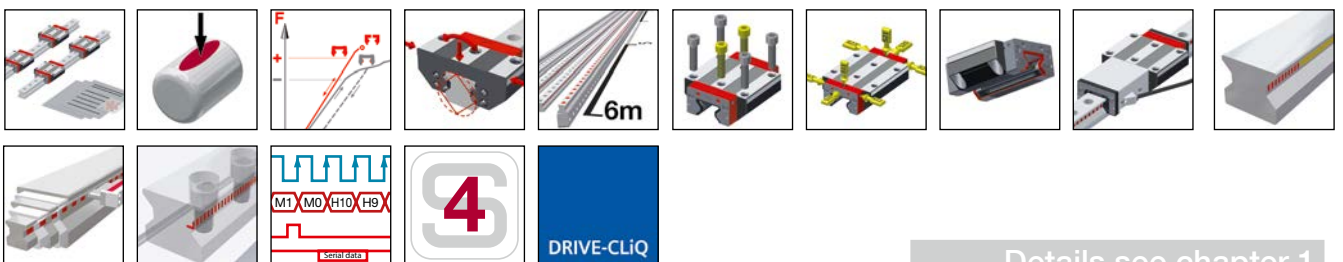
SCHNEEBERGER
LINEAR TECHNOLOGY



With the MONORAIL AMSABS 3B, SCHNEEBERGER provides an integrated measuring system for absolute distance measurement for use in automation engineering, mechanical handling technology and machine tool engineering, whereby high force absorption and precise distance measurements are required in small assembly spaces. From a mechanical point of view, the AMSABS 3B is based on the MONORAIL MR roller guide up to a length of 6m. The distance measurement system's compact housing facilitates the construction of highly compact axes.

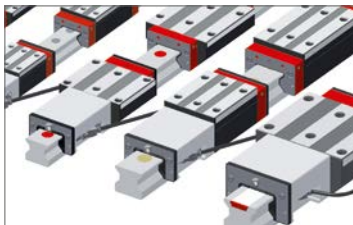
SCHNEEBERGER provides an absolute interface with various cable lengths to connect it with the SSI, SSI+SinCos, FANUC, Mitsubishi and Siemens Drive CliQ® controllers. Various options regarding lubrication and sealing of the measuring carriages mean that optimal adjustments can be made to the requirements of the application. The easily exchangeable reading head is identical and replaceable for all sizes.

Features of System MONORAIL AMSABS 3B



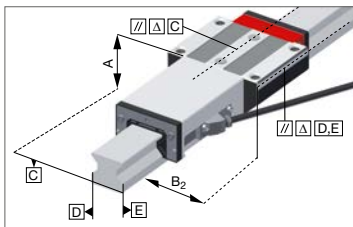
Details see chapter 1

9.1 Overview of types, sizes and available options **160**



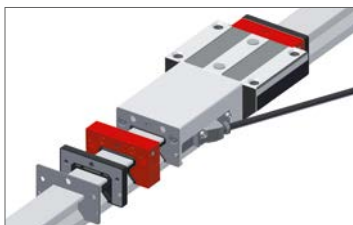
Product overview AMSABS 3B Rails	160
Product overview AMSABS 3B Carriages	161

9.2 Technical data and options **162**



AMSABS 3B Size 25	162
AMSABS 3B Size 35	164
AMSABS 3B Size 45	166
AMSABS 3B Size 55	168
AMSABS 3B Size 65	170

9.3 Accessories MONORAIL AMSABS 3B **172**



Accessories overview	172
AMSABS 3B Rails accessory details	55
AMSABS 3B Carriages accessory details	58

9.4 Order key **173**

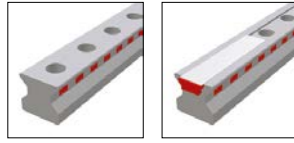


Order key AMSABS 3B Rails	173
Order key AMSABS 3B Carriages	173
Order key AMSABS 3B Reading head (spare part)	174

9.1 Overview of types, sizes and available options

AMSABS 3B Rails

Product overview AMSABS 3B Rails







	N standard	C for cover strip			
Buildsizes / Rail build forms					
Size 25	AMSABS 3B S 25-N	AMSABS 3B S 25-C			
Size 35	AMSABS 3B S 35-N	AMSABS 3B S 35-C			
Size 45	AMSABS 3B S 45-N	AMSABS 3B S 45-C			
Size 55	AMSABS 3B S 55-N	AMSABS 3B S 55-C			
Size 65	AMSABS 3B S 65-N	AMSABS 3B S 65-C			
Features					
Screwable from above	●	●			
Screwable from below					
Small assembly effort		●			
Great single-part system length	●	●			

Available options for AMSABS 3B Rails

Details see chapter 2



Accuracy

-  G0 Highly accurate
-  G1 Very accurate
-  G2 Accurate
-  G3 Standard





Straightness

-  KG Standard

Coating

-  CN None
-  CH Hard chromium

Locating sides

-  R11 Ref.bottom, scale bottom
-  R12 Ref.bottom, scale top
-  R21 Ref.top, scale bottom
-  R22 Ref.top, scale top

Available accessories for AMSABS 3B Rails

Details see chapter 3.3

Plugs

Cover strips

Assembly tools

9.1 Overview of types, sizes and available options

AMSABS 3B Carriages

Product overview AMSABS 3B Carriages



A standard
B standard, long
C compact, high
D compact, high, long

Buildsizes / Carriage build forms

Size 25	AMSABS 3B W 25-A	AMSABS 3B W 25-B	AMSABS 3B W 25-C	AMSABS 3B W 25-D
Size 35	AMSABS 3B W 35-A	AMSABS 3B W 35-B	AMSABS 3B W 35-C	AMSABS 3B W 35-D
Size 45	AMSABS 3B W 45-A	AMSABS 3B W 45-B	AMSABS 3B W 45-C	AMSABS 3B W 45-D
Size 55	AMSABS 3B W 55-A	AMSABS 3B W 55-B	AMSABS 3B W 55-C	AMSABS 3B W 55-D
Size 65	AMSABS 3B W 65-A	AMSABS 3B W 65-B	AMSABS 3B W 65-C	AMSABS 3B W 65-D

Features

Screwable from above	●	●	●	●
Screwable from below	●	●	●	●
For high loads and moments		●		●
For medium loads and moments	●		●	

Available options for AMSABS 3B Carriages

Details see chapter 2

Accuracy

- G0** Highly accurate
- G1** Very accurate
- G2** Accurate
- G3** Standard

Preload

- V1** Low
- V2** Medium
- V3** High

Reference side

- R1** Ref. at bottom
- R2** Ref. on top

Coating

- CN** None
- CH** Hard chromium

Reading head position

- P1** Right top
- Note: P2/P4 on request

- P3** Left bottom

Lubrication

- LN** Oil protect
- LG** Grease protect
- LV** Full greasing

Interface

- TMH** TMH, absolute, 0.3m
- TRH** TRH, absolute, 3m
- TDC** TDC, absolute

Lube connections at P1

- S10** Left center
- S11** Top left
- S12** Lower left side
- S13** Upper left side
- S49** S10+S12+S13 locked using threaded pins

Lube connections at P3

- S20** Right center
- S21** Top right
- S22** Lower right side
- S23** Upper right side
- S49** S20+S22+S23 locked using threaded pins

Available accessories for AMSABS 3B Carriages

Details see chapter 2.1 and 3.3

Additional wipers
Metal wiper

Bellows
Lube nippels

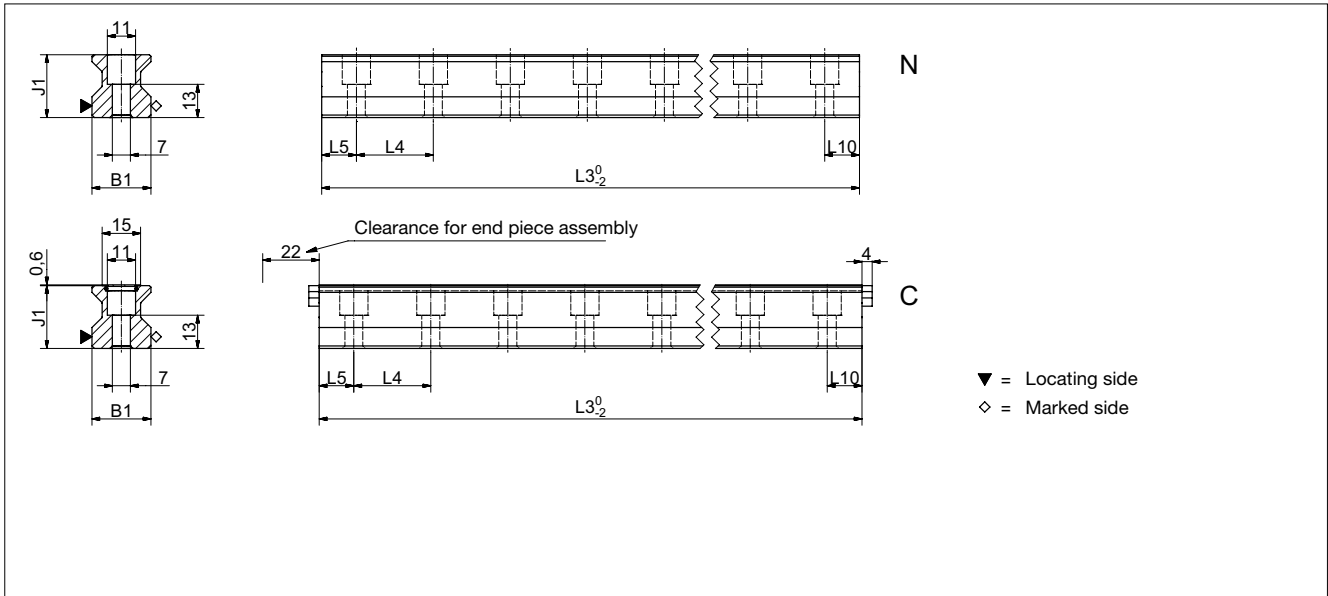
Assembly rails
Lube adapters

Lubrication plates
Cables

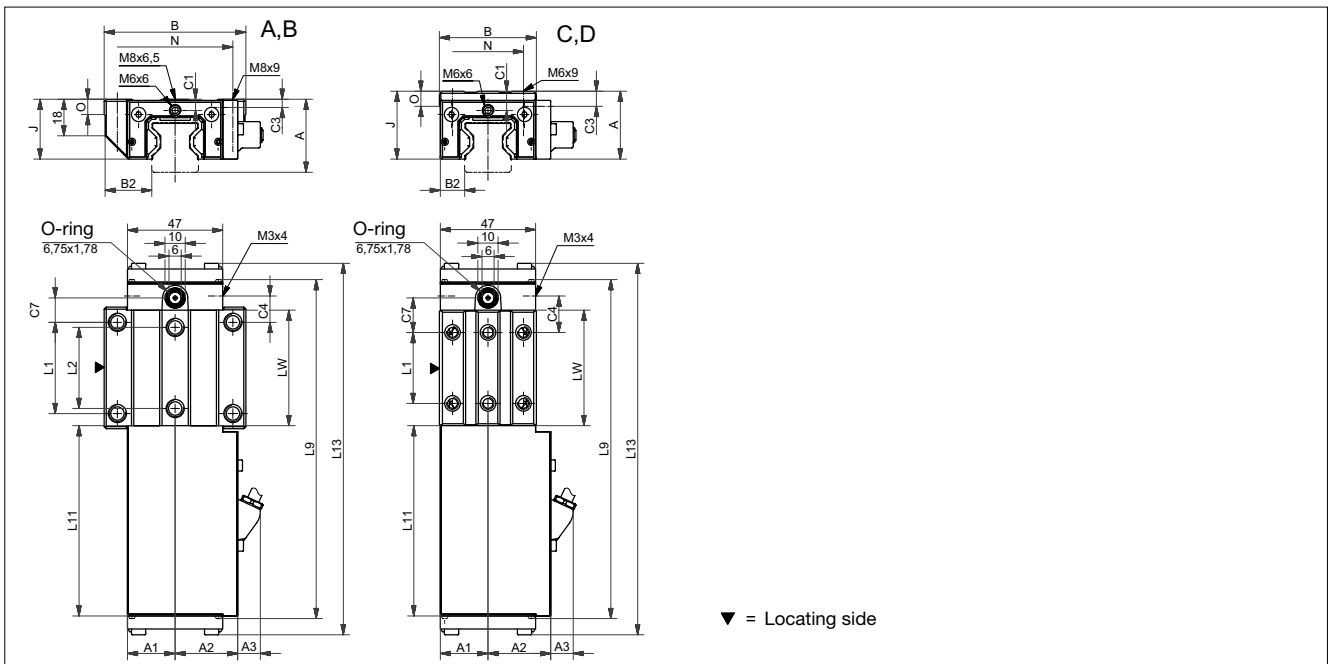
9.2 Technical data and options

AMSABS 3B Size 25

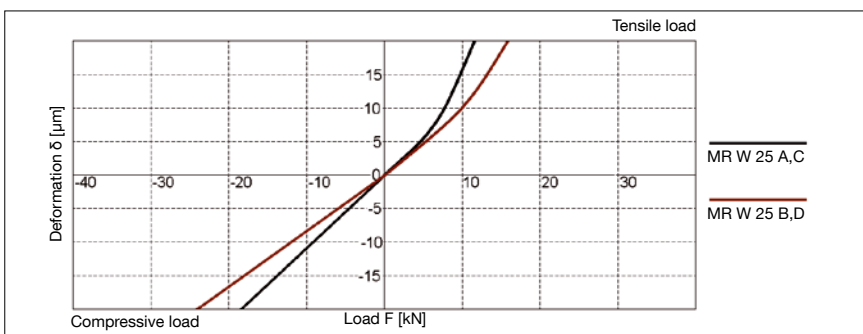
AMSABS 3B S 25 Drawings



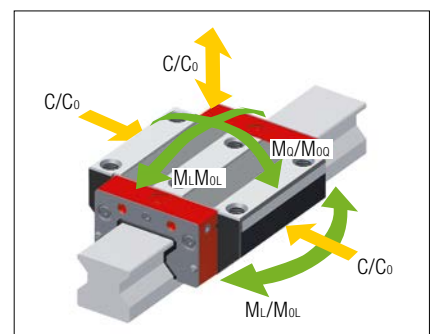
AMSABS 3B W 25 Drawings



AMSABS 3B W 25 Rigidity diagram



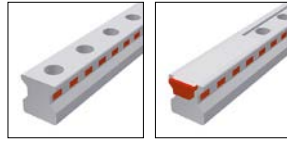
AMSABS 3B W 25 Load rating



9.2 Technical data and options

AMSABS 3B Size 25

AMSABS 3B S 25 Dimensions



	AMSABS 3B S 25-N	AMSABS 3B S 25-C				
B1: Rail width	23	23				
J1: Rail height	24.5	24.5				
L3: Rail length max.	6000	3000				
L4: Spacing of fixing holes	30	30				
L5/L10: Position of first/last fixing hole	13.5	13.5				
Gew.: Rail weight, specific (kg/m)	3.4	3.3				

Available options for AMSABS 3B S 25



AMSABS 3B W 25 Dimensions and capacities



	AMSABS 3B W 25-A	AMSABS 3B W 25-B	AMSABS 3B W 25-C	AMSABS 3B W 25-D			
A: System height	36	36	40	40			
A1: Half width of housing on opposite side	23.5	23.5	23.5	23.5			
A2: Half width of housing on reading head side	31	31	31	31			
A3: Projection of reading head	11.5	11.5	11.5	11.5			
B: Carriage width	70	70	48	48			
B2: Distance between locating faces	23.5	23.5	12.5	12.5			
C1: Position of center front lube hole*	5.5	5.5	9.5	9.5			
C3: Position of lateral lube hole	3.5	3.5	7.5	7.5			
C4: Position of lateral lube hole	13	24.2	18	21.7			
C7: Position of top lube hole	12	23.2	17	20.7			
J: Carriage height	29.5	29.5	33.5	33.5			
L1: Exterior fixing hole spacing	45	45	35	50			
L2: Interior fixing hole spacing	40	40	-	-			
L9: Carriage length with housing	168	190	168	190			
L11: Housing length	95.2	95.2	95.2	95.2			
L13: Total length measuring carriage	184.5	206.9	184.5	206.9			
Lw: Inner carriage body length	57	79.4	57	79.4			
N: Lateral fixing hole spacing	57	57	35	35			
O: Reference face height	7.5	7.5	7.5	7.5			
Capacities and weights							
C0: Static load capacity (N)	49800	70300	49800	70300			
C100: Dynamic load capacity (N)	27700	39100	27700	39100			
MOQ: Static cross moment capacity (Nm)	733	1035	733	1035			
MOL: Static longitud. moment capacity (Nm)	476	936	476	936			
MQ: Dyn. cross moment capacity (Nm)	408	576	408	576			
ML: Dyn. longitud. moment capacity (Nm)	265	521	265	521			
Gew: Carriage weight (kg)	1.0	1.2	0.9	1.0			

Note: * Values valid for external housing / front plate

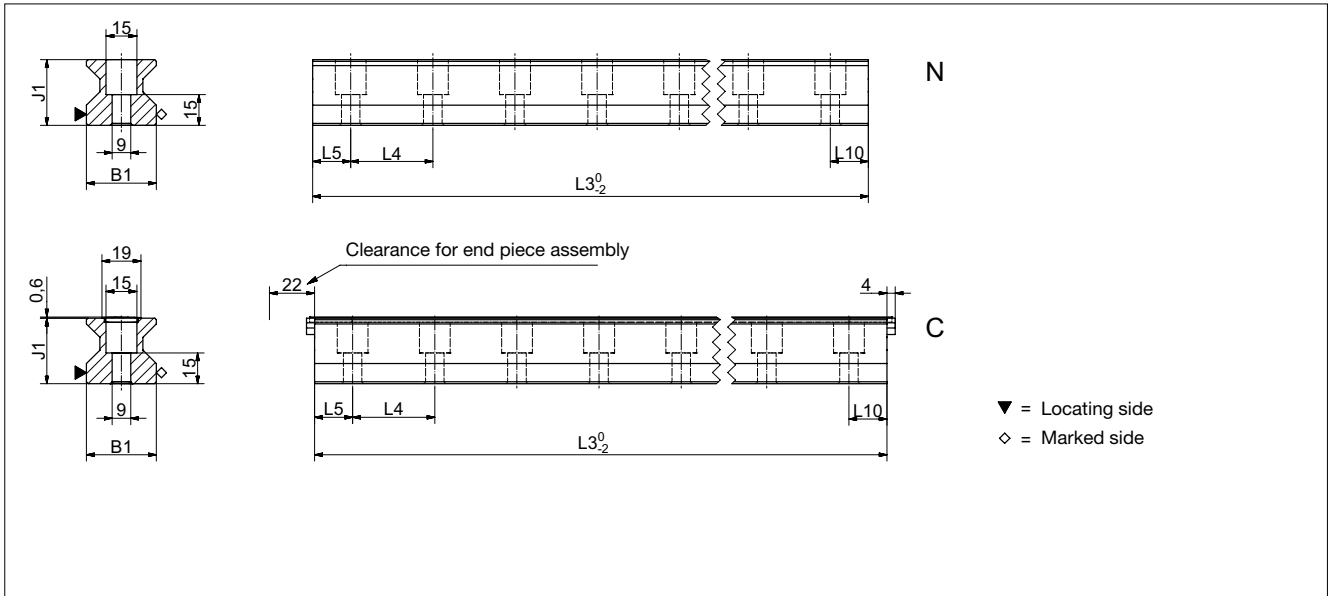
Available options for AMSABS 3B W 25



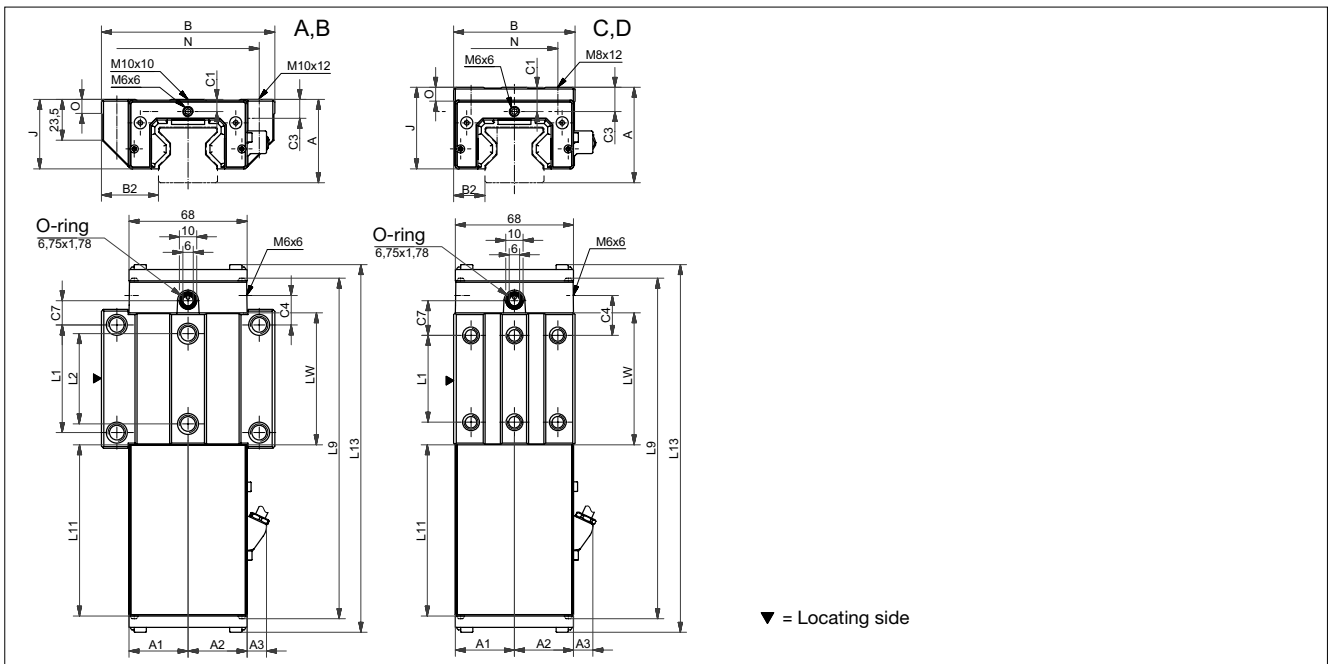
9.2 Technical data and options

AMSABS 3B Size 35

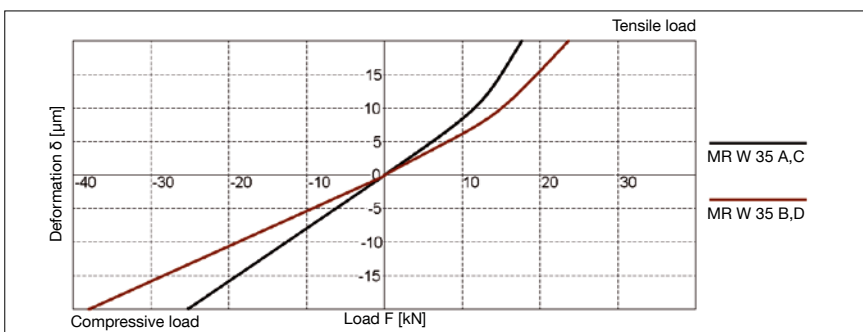
AMSABS 3B S 35 Drawings



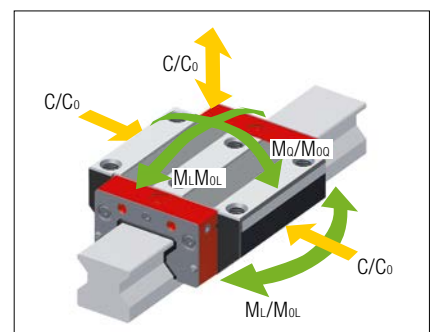
AMSABS 3B W 35 Drawings



AMSABS 3B W 35 Rigidity diagram



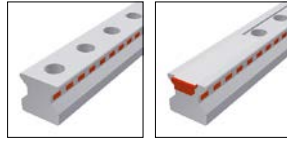
AMSABS 3B W 35 Load rating



9.2 Technical data and options

AMSABS 3B Size 35

AMSABS 3B S 35 Dimensions



	AMSABS 3B S 35-N	AMSABS 3B S 35-C			
B1: Rail width	34	34			
J1: Rail height	32	32			
L3: Rail length max.	6000	6000			
L4: Spacing of fixing holes	40	40			
L5/L10: Position of first/last fixing hole	18.5	18.5			
Gew.: Rail weight, specific (kg/m)	6.5	6.3			

Available options for AMSABS 3B S 35



AMSABS 3B W 35 Dimensions and capacities



	AMSABS 3B W 35-A	AMSABS 3B W 35-B	AMSABS 3B W 35-C	AMSABS 3B W 35-D		
A: System height	48	48	55	55		
A1: Half width of housing on opposite side	34	34	34	34		
A2: Half width of housing on reading head side	34	34	34	34		
A3: Projection of reading head	11.5	11.5	11.5	11.5		
B: Carriage width	100	100	70	70		
B2: Distance between locating faces	33	33	18	18		
C1: Position of center front lube hole*	6.5 / 7	6.5 / 7	13.5 / 14	13.5 / 14		
C3: Position of lateral lube hole	7	7	14	14		
C4: Position of lateral lube hole	17	30.5	23	25.5		
C7: Position of top lube hole	14	27.5	20	22.5		
J: Carriage height	40	40	47	47		
L1: Exterior fixing hole spacing	62	62	50	72		
L2: Interior fixing hole spacing	52	52	-	-		
L9: Carriage length with housing	196	223	196	223		
L11: Housing length	100.2	100.2	100.2	100.2		
L13: Total length measuring carriage	212.6	239.6	212.6	239.6		
Lw: Inner carriage body length	76	103	76	103		
N: Lateral fixing hole spacing	82	82	50	50		
O: Reference face height	8	8	8	8		
Capacities and weights						
C0: Static load capacity (N)	93400	128500	93400	128500		
C100: Dynamic load capacity (N)	52000	71500	52000	71500		
MOQ: Static cross moment capacity (Nm)	2008	2762	2008	2762		
MOL: Static longitud. moment capacity (Nm)	1189	2214	1189	2214		
MQ: Dyn. cross moment capacity (Nm)	1118	1537	1118	1537		
ML: Dyn. longitud. moment capacity (Nm)	662	1232	662	1232		
Gew: Carriage weight (kg)	2.0	2.6	1.9	2.4		

Note: *Values valid for external housing / front plate

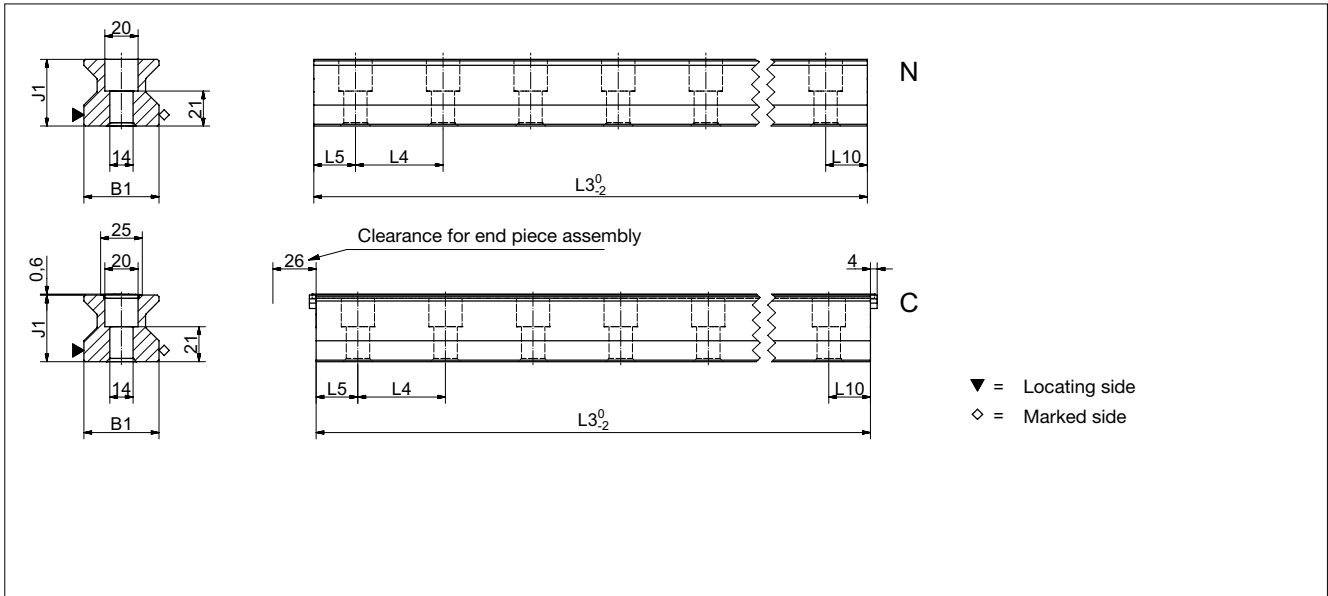
Available options for AMSABS 3B W 35



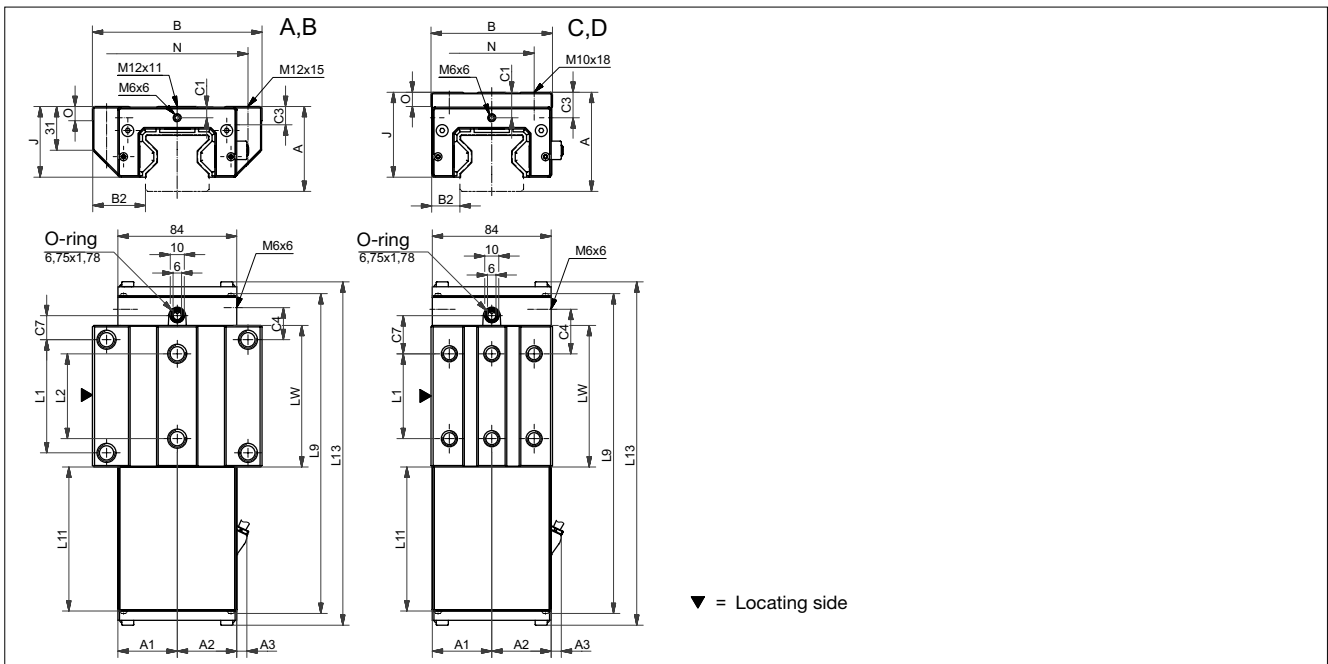
9.2 Technical data and options

AMSABS 3B Size 45

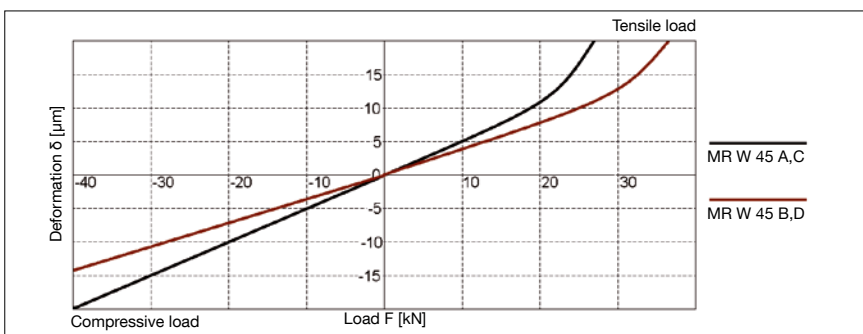
AMSABS 3B S 45 Drawings



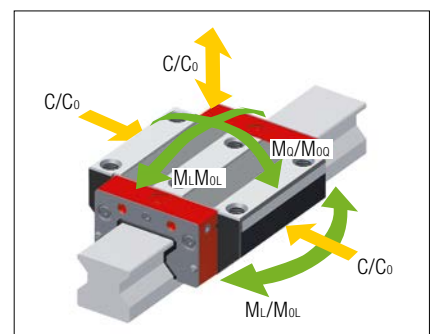
AMSABS 3B W 45 Drawings



AMSABS 3B W 45 Rigidity diagram



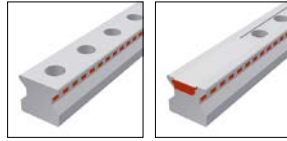
AMSABS 3B W 45 Load rating



9.2 Technical data and options

AMSABS 3B Size 45

AMSABS 3B S 45 Dimensions



	AMSABS 3B S 45-N	AMSABS 3B S 45-C				
B1: Rail width	45	45				
J1: Rail height	40	40				
L3: Rail length max.	6000	6000				
L4: Spacing of fixing holes	52.5	52.5				
L5/L10: Position of first/last fixing hole	25	25				
Gew.: Rail weight, specific (kg/m)	10.8	10.6				

Available options for AMSABS 3B S 45



AMSABS 3B W 45 Dimensions and capacities



	AMSABS 3B W 45-A	AMSABS 3B W 45-B	AMSABS 3B W 45-C	AMSABS 3B W 45-D			
A: System height	60	60	70	70			
A1: Half width of housing on opposite side	42	42	42	42			
A2: Half width of housing on reading head side	42	42	42	42			
A3: Projection of reading head	7.5	7.5	7.5	7.5			
B: Carriage width	120	120	86	86			
B2: Distance between locating faces	37.5	37.5	20.5	20.5			
C1: Position of center front lube hole	8	8	18	18			
C3: Position of lateral lube hole	8	8	18	18			
C4: Position of lateral lube hole	21.25	38.75	31.25	38.75			
C7: Position of top lube hole	17	34.5	27	34.5			
J: Carriage height	50	50	60	60			
L1: Exterior fixing hole spacing	80	80	60	80			
L2: Interior fixing hole spacing	60	60	-	-			
L9: Carriage length with housing	226	261	226	261			
L11: Housing length	103.6	103.6	103.6	103.6			
L13: Total length measuring carriage	243.7	278.7	243.7	278.7			
Lw: Inner carriage body length	100	135	100	135			
N: Lateral fixing hole spacing	100	100	60	60			
O: Reference face height	10	10	10	10			
Capacities and weights							
C0: Static load capacity (N)	167500	229500	167500	229500			
C100: Dynamic load capacity (N)	93400	127800	93400	127800			
MOQ: Static cross moment capacity (Nm)	4621	6333	4621	6333			
MOL: Static longitud. moment capacity (Nm)	2790	5161	2790	5161			
MQ: Dyn. cross moment capacity (Nm)	2577	3527	2577	3527			
ML: Dyn. longitud. moment capacity (Nm)	1556	2874	1556	2874			
Gew: Carriage weight (kg)	3.8	4.9	3.6	4.6			

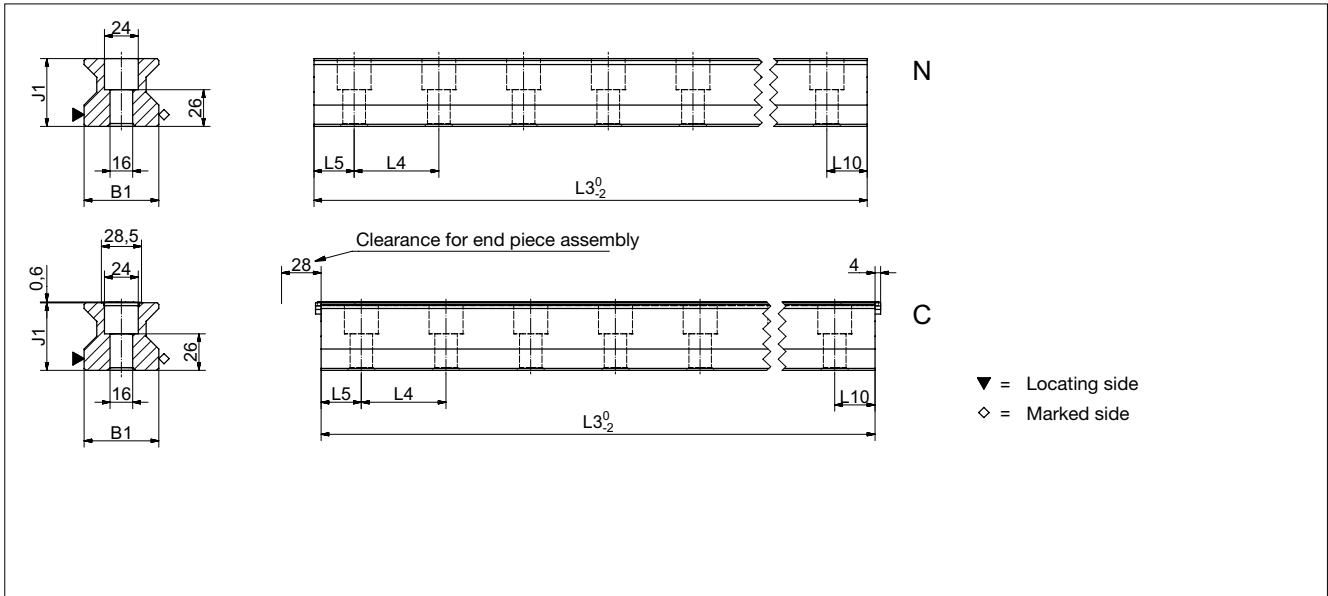
Available options for AMSABS 3B W 45



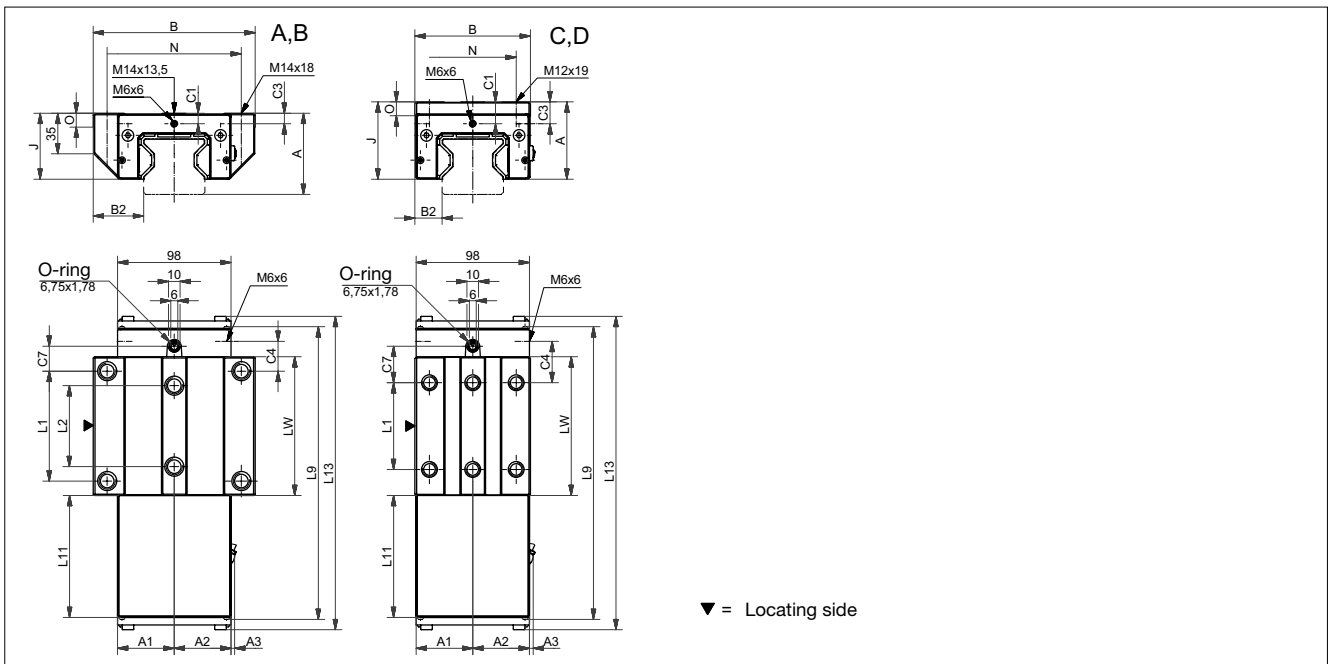
9.2 Technical data and options

AMSABS 3B Size 55

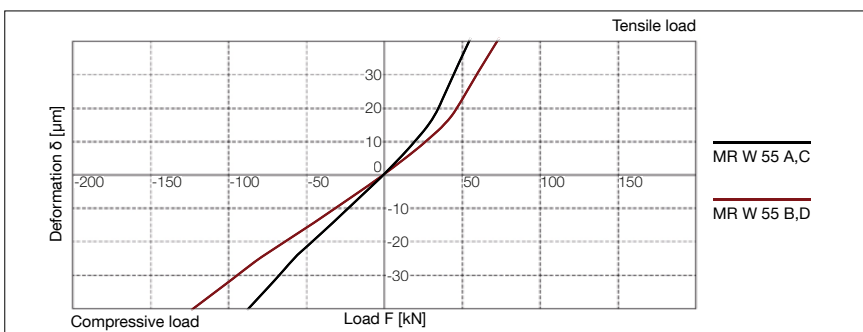
AMSABS 3B S 55 Drawings



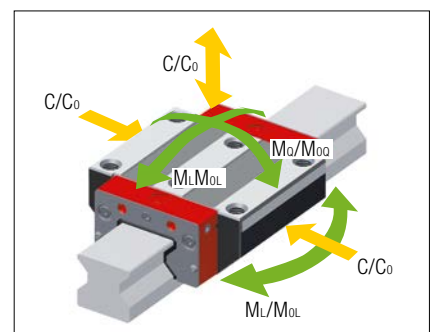
AMSABS 3B W 55 Drawings



AMSABS 3B W 55 Rigidity diagram



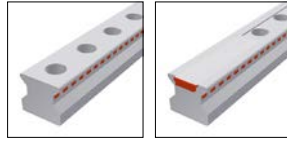
AMSABS 3B W 55 Load rating



9.2 Technical data and options

AMSABS 3B Size 55

AMSABS 3B S 55 Dimensions

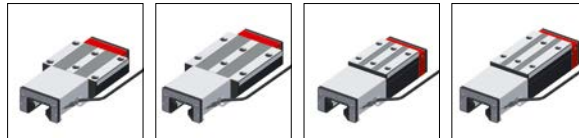


	AMSABS 3B S 55-N	AMSABS 3B S 55-C			
B1: Rail width	53	53			
J1: Rail height	48	48			
L3: Rail length max.	6000	6000			
L4: Spacing of fixing holes	60	60			
L5/L10: Position of first/last fixing hole	28.5	28.5			
Gew.: Rail weight, specific (kg/m)	15.2	14.9			

Available options for AMSABS 3B S 55



AMSABS 3B W 55 Dimensions and capacities



	AMSABS 3B W 55-A	AMSABS 3B W 55-B	AMSABS 3B W 55-C	AMSABS 3B W 55-D		
A: System height	70	70	80	80		
A1: Half width of housing on opposite side	49	49	49	49		
A2: Half width of housing on reading head side	49	49	49	49		
A3: Projection of reading head	3.5	3.5	3.5	3.5		
B: Carriage width	140	140	100	100		
B2: Distance between locating faces	43.5	43.5	23.5	23.5		
C1: Position of center front lube hole	9	9	19	19		
C3: Position of lateral lube hole	9	9	19	19		
C4: Position of lateral lube hole	25.75	46.75	35.75	46.75		
C7: Position of top lube hole	21.5	42.5	31.5	42.5		
J: Carriage height	57	57	67	67		
L1: Exterior fixing hole spacing	95	95	75	95		
L2: Interior fixing hole spacing	70	70	-	-		
L9: Carriage length with housing	253	295	253	295		
L11: Housing length	107.1	107.1	107.1	107.1		
L13: Total length measuring carriage	271.7	313.7	271.7	313.7		
Lw: Inner carriage body length	120	162	120	162		
N: Lateral fixing hole spacing	116	116	75	75		
O: Reference face height	12	12	12	12		
Capacities and weights						
C0: Static load capacity (N)	237000	324000	237000	324000		
C100: Dynamic load capacity (N)	131900	180500	131900	180500		
MOQ: Static cross moment capacity (Nm)	7771	10624	7771	10624		
MOL: Static longitud. moment capacity (Nm)	4738	8745	4738	8745		
MQ: Dyn. cross moment capacity (Nm)	4325	5919	4325	5919		
ML: Dyn. longitud. moment capacity (Nm)	2637	4872	2637	4872		
Gew: Carriage weight (kg)	5.8	7.6	5.3	6.9		

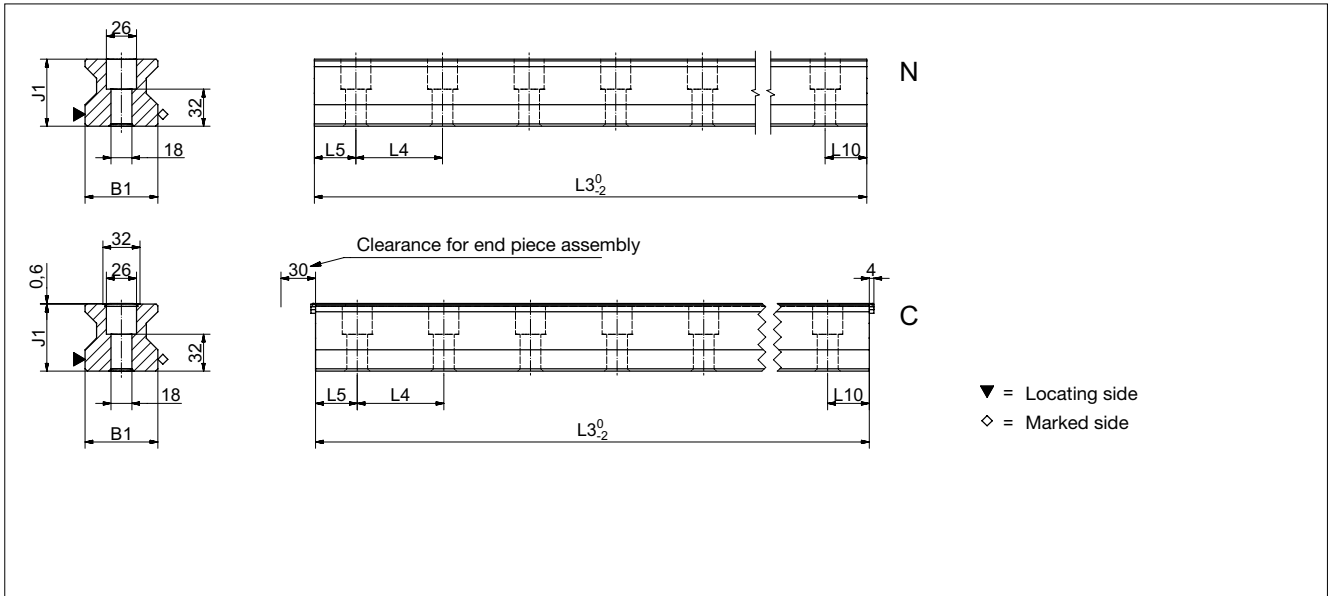
Available options for AMSABS 3B W 55



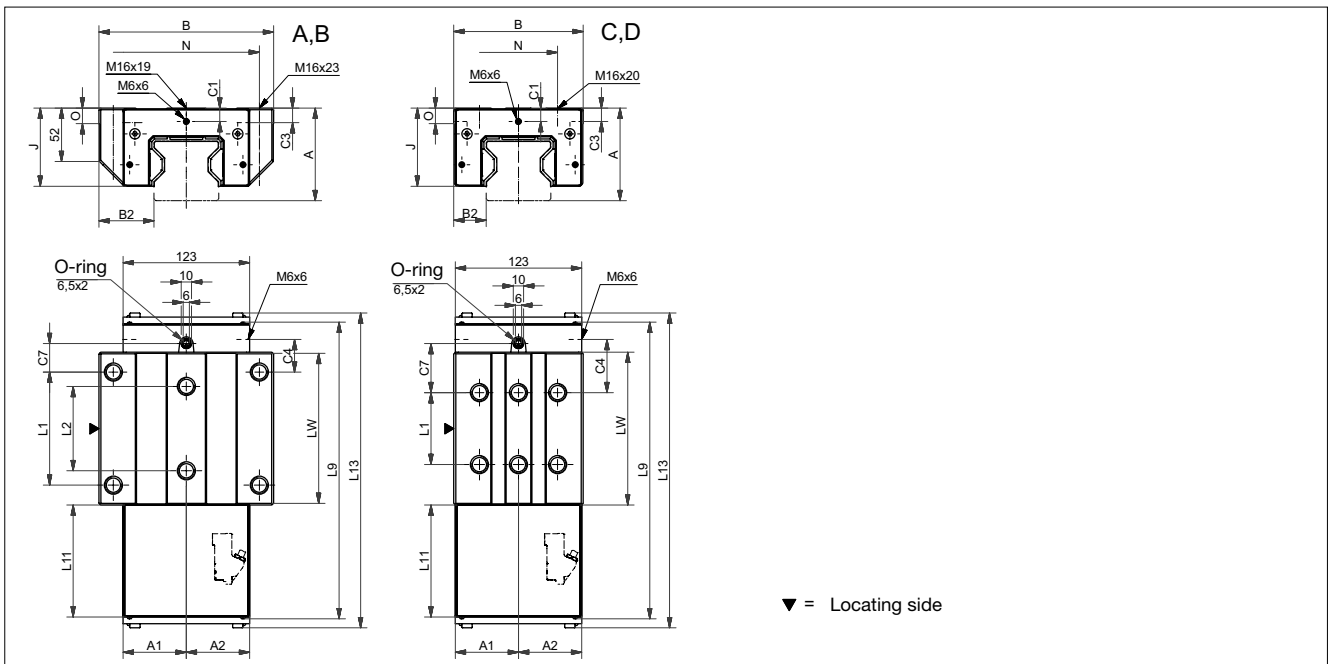
9.2 Technical data and options

AMSABS 3B Size 65

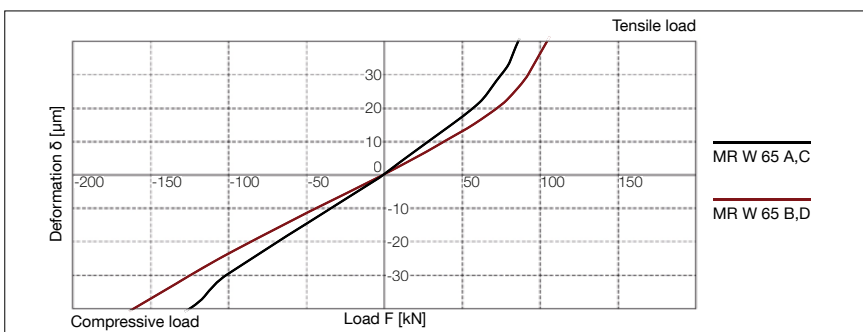
AMSABS 3B S 65 Drawings



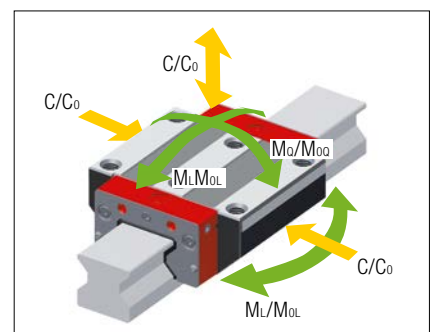
AMSABS 3B W 65 Drawings



AMSABS 3B W 65 Rigidity diagram



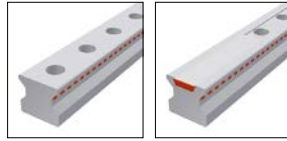
AMSABS 3B W 65 Load rating



9.2 Technical data and options

AMSABS 3B Size 65

AMSABS 3B S 65 Dimensions

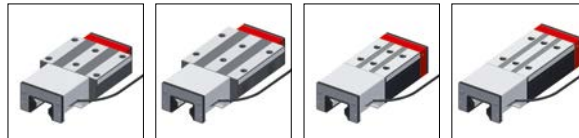


	AMSABS 3B S 65-N	AMSABS 3B S 65-C			
B1: Rail width	63	63			
J1: Rail height	58	58			
L3: Rail length max.	6000	6000			
L4: Spacing of fixing holes	75	75			
L5/L10: Position of first/last fixing hole	36	36			
Gew.: Rail weight, specific (kg/m)	22.8	22.5			

Available options for AMSABS 3B S 65



AMSABS 3B W 65 Dimensions and capacities



	AMSABS 3B W 65-A	AMSABS 3B W 65-B	AMSABS 3B W 65-C	AMSABS 3B W 65-D		
A: System height	90	90	90	90		
A1: Half width of housing on opposite side	61.5	61.5	61.5	61.5		
A2: Half width of housing on reading head side	61.5	61.5	61.5	61.5		
A3: Projection of reading head	0	0	0	0		
B: Carriage width	170	170	126	126		
B2: Distance between locating faces	53.5	53.5	31.5	31.5		
C1: Position of center front lube hole	13	13	13	13		
C3: Position of lateral lube hole	13	13	13	13		
C4: Position of lateral lube hole	31.75	58	51.75	53		
C7: Position of top lube hole	27.75	54	47.75	49		
J: Carriage height	76	76	76	76		
L1: Exterior fixing hole spacing	110	110	70	120		
L2: Interior fixing hole spacing	82	82	-	-		
L9: Carriage length with housing	289	341	289	341		
L11: Housing length	110.7	110.7	110.7	110.7		
L13: Total length measuring carriage	307.1	359.6	307.1	359.6		
Lw: Inner carriage body length	148.5	201	148.5	201		
N: Lateral fixing hole spacing	142	142	76	76		
O: Reference face height	15	15	15	15		
Capacities and weights						
C0: Static load capacity (N)	419 000	530 000	419 000	530 000		
C100: Dynamic load capacity (N)	232 000	295 000	232 000	295 000		
MOQ: Static cross moment capacity (Nm)	16 446	20 912	16 446	20 912		
MOL: Static longitud. moment capacity (Nm)	10 754	17 930	10 754	17 930		
MQ: Dyn. cross moment capacity (Nm)	9 154	11 640	9 154	11 640		
ML: Dyn. longitud. moment capacity (Nm)	5 954	9 980	5 954	9 980		
Gew: Carriage weight (kg)	11.6	14.9	9.3	11.8		

Available options for AMSABS 3B W 65



AMSABS 3B Rails accessories overview

Accessories	AMSABS 3B S 25	AMSABS 3B S 35	AMSABS 3B S 45	AMSABS 3B S 55	AMSABS 3B S 65
Plugs:					
Plastic plugs	MRK 25	MRK 35	MRK 45	MRK 55	MRK 65
Brass plugs	MRS 25	MRS 35	MRS 45	MRS 55	MRS 65
Steel plugs	MRZ 25	MRZ 35	MRZ 45	MRZ 55	MRZ 65
Cover strips:					
Cover strip (spare part)	MAC 25	MAC 35	MAC 45	MAC 55	MAC 65
End piece for cover strip (spare part)	EST 25-MAC	EST 35-MAC	EST 45-MAC	EST 55-MAC	EST 65-MAC
Securing band for cover strip (spare part)	BSC 25-MAC	BSC 35-MAC	BSC 45-MAC	BSC 55-MAC	BSC 65-MAC
Assembly tools:					
Installation tool for steel plugs	MWH 25	MWH 35	MWH 45	MWH 55	MWH 65
Hydraulic cylinder for MWH	MZH	MZH	MZH	MZH	MZH
Installation tool for cover strip	MWC 25	MWC 35	MWC 45	MWC 55	MWC 65

AMSABS 3B Carriages accessories overview

Accessories	AMSABS 3B W 25	AMSABS 3B W 35	AMSABS 3B W 45	AMSABS 3B W 55	AMSABS 3B W 65
Additional wipers:					
Additional wipers Viton	ZCV 25	ZCV 35	ZCV 45	ZCV 55	ZCV 65
Metal wiper	ASM 25-A	ASM 35-A	ASM 45-A	ASM 55-A	ASM 65-A
Bellows:					
Bellows	FBM 25	FBM 35	FBM 45	FBM 55	FBM 65
Adapter plate for bellows (spare part)	ZPL 25	ZPL 35	ZPL 45	ZPL 55	ZPL 65
End plate for bellows (spare part)	EPL 25	EPL 35	EPL 45	EPL 55	EPL 65
Assembly rails:					
Assembly rail	MRM 25	MRM 35	MRM 45	MRM 55	MRM 65
Lubrication plates:					
Lubrication plate	SPL 25-MR	SPL 35-MR	SPL 45-MR	SPL 55-MR	SPL 65-MR
Front plates:					
Cross wiper (spare part)	QAS 25-STR	QAS 35-STR	QAS 45-STR	QAS 55-STR	QAS 65-STR
Lube nipples:					
Hydraulic-type grease nipple straight	SN 6	SN 6	SN 6	SN 6	SN 6
Hydraulic-type grease nipple 45°	SN 6-45	SN 6-45	SN 6-45	SN 6-45	SN 6-45
Hydraulic-type grease nipple 90°	SN 6-90	SN 6-90	SN 6-90	SN 6-90	SN 6-90
Flush type grease nipple M3	SN 3-T	-	-	-	-
Flush type grease nipple M6	SN 6-T	SN 6-T	SN 6-T	SN 6-T	SN 6-T
Grease gun for SN 3-T und SN 6-T	SFP-T3	SFP-T3	SFP-T3	SFP-T3	SFP-T3
Lube adapters:					
Straight screw-in connection M3	SA 3-D3	-	-	-	-
Lubrication adapter M8 round-head	SA 6-RD-M8	SA 6-RD-M8	SA 6-RD-M8	SA 6-RD-M8	SA 6-RD-M8
Lubrication adapter M8 hexagon head	-	SA 6-6KT-M8	SA 6-6KT-M8	SA 6-6KT-M8	SA 6-6KT-M8
Lubrication adapter G1/8 hexagon head	-	SA 6-6KT-G1/8	SA 6-6KT-G1/8	SA 6-6KT-G1/8	SA 6-6KT-G1/8
Swivel screw connection for pipe d=3 mm	SV 3-D3	-	-	-	-
Swivel screw connection for pipe d=4 mm	SV 6-D4	SV 6-D4	SV 6-D4	SV 6-D4	SV 6-D4
Swivel screw connection M6	SV 6-M6	SV 6-M6	SV 6-M6	SV 6-M6	SV 6-M6
Swivel screw connection M6 long	SV 6-M6-L	SV 6-M6-L	SV 6-M6-L	SV 6-M6-L	SV 6-M6-L
Swivel screw connection M8	SV 6-M8	SV 6-M8	SV 6-M8	SV 6-M8	SV 6-M8
Swivel screw connection M8 long	SV 6-M8-L	SV 6-M8-L	SV 6-M8-L	SV 6-M8-L	SV 6-M8-L

9.4 Order key

Individual guide rails and carriages are ordered in accordance with the order codes described below.

AMSABS 3B carriages consist of guide carriage, casing and reading head.

All MONORAIL MR carriages can also be used with AMSABS 3B rails.

Q.v. chapter 2 and chapter 3.3 for the order key for accessories.

Separate order codes are used in each case for rails, carriages and accessories. This also applies to different versions of rails and carriages.

All guide components are supplied individually as standard, i.e. unassembled.

If required, SCHNEEBERGER can also supply rails and carriages assembled incl. accessories as complete systems. Please note the ordering instructions in chapter 2.4 if this applies.

Order code for AMSABS 3B Rails

	1x	AMSABS 3B S	35	-C	-G1	-KC	-R11	-2936	-28	-28	-CN	-TA1
Quantity												
Rail												
Size												
Type												
Accuracy												
Straightness												
Reference side												
Rail length L3												
Position of first fixing hole L5												
Position of last fixing hole L10												
Coating												
Type of magnetisation												

NB

Q.v. chapter 9.1 to 9.3 for an overview of types, details of shapes, available options and accessories.

Q.v. chapter 2 for a description of the options.

If possible, standard lengths are preferred for L3 rail length.

These are calculated with the table values in chapter 9.2 using the following formula: $L3 = n \times L4 + L5 + L10 \leq L3_{max}$.

Order code for AMSABS 3B Carriages

	1x	AMSABS 3B W	35	-B	-P1	-G1	-V3	-R2	-CN	-S12	-LN	-TSH	-TS1
Quantity													
Carriage													
Size													
Type													
Reading head position													
Accuracy													
Preload													
Reference side													
Coating													
Lube connection													
Lubrication as delivered condition													
Interface													
Configuration													

NB

Q.v. chapter 9.1 to 9.3 for an overview of types, details of shapes, available options and accessories.

Q.v. chapter 2 for a description of the options.

For detailed information about current configuration options for the interfaces, please visit our website at www.schneeberger.com.

9.4 Order key

Order code for AMSABS 3B Reading head (spare part)

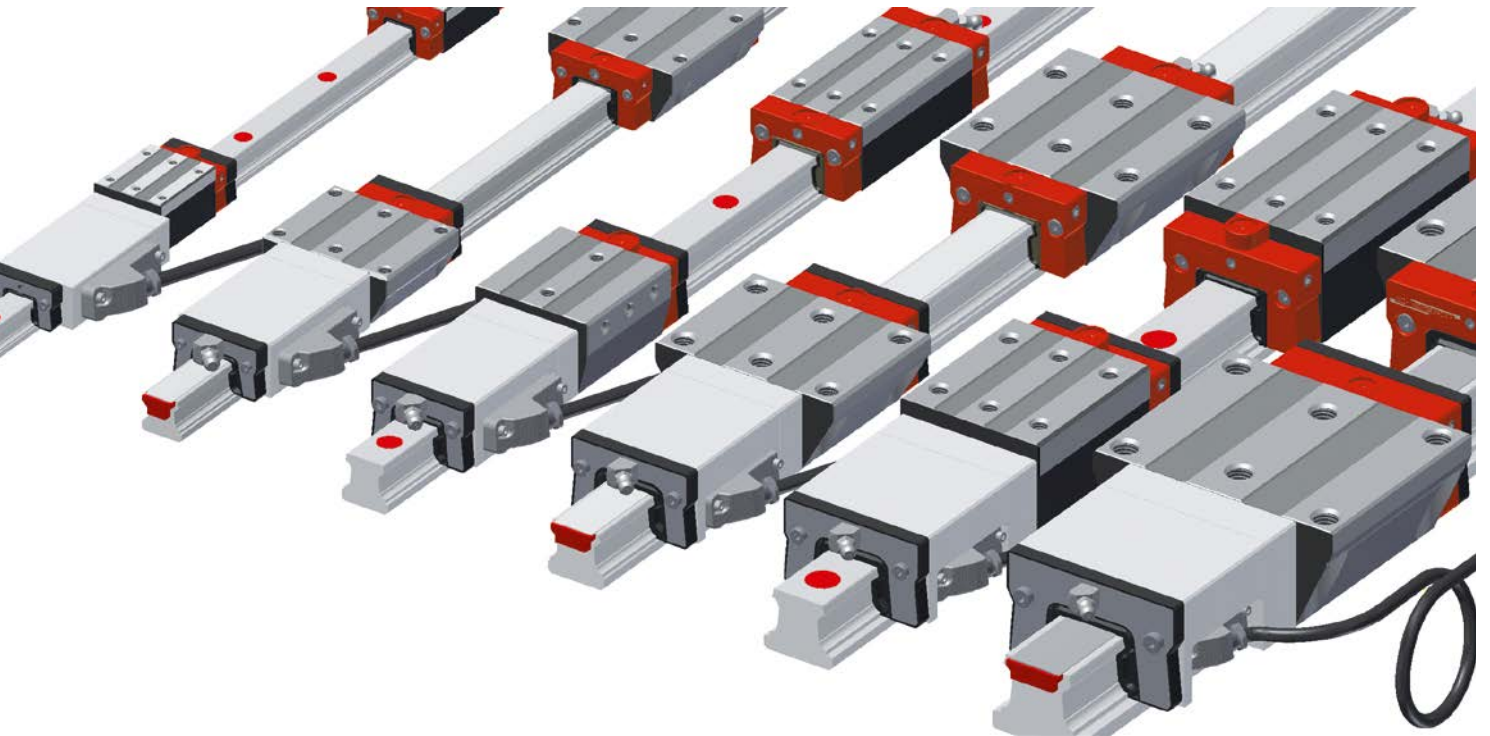
	1x	SABS XB	-MH	-TS1
Quantity				
Reading head				
Interface				
Configuration				

NB

Q.v. chapter 2 for a description of the options.

10.0 MONORAIL AMSABS 4B

SCHNEEBERGER
LINEAR TECHNOLOGY

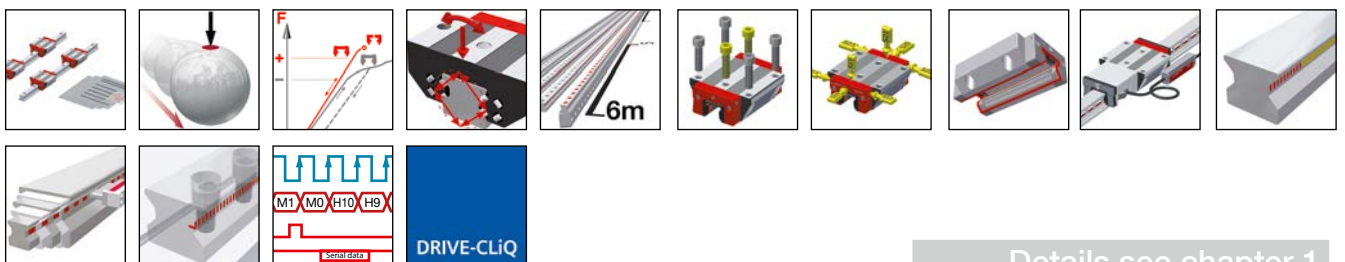


With the MONORAIL AMSABS 4B, SCHNEEBERGER provides an integrated measuring system for absolute distance measurement for use in automation engineering, mechanical handling technology and machine tool engineering, whereby high force absorption and precise distance measurements are required in small assembly spaces. From a mechanical point of view, the AMSABS 4B is based on the MONORAIL BM roller guide up to a length of 6m. The distance measurement system's compact housing facilitates the construction of highly compact axes.

SCHNEEBERGER provides a fully digital interface with various cable lengths in order to connect it with the SSI, SSI+SinCos, FANUC, Mitsubishi and Siemens Drive CLIQ® controllers.

Various options regarding lubrication and sealing of the measuring carriages mean that optimal adjustments can be made to the requirements of the application. The easily exchangeable reading head is identical and replaceable for all sizes.

Features of System MONORAIL AMSABS 4B



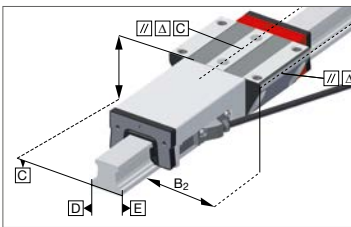
Details see chapter 1

10.1 Overview of types, sizes and available options **178**



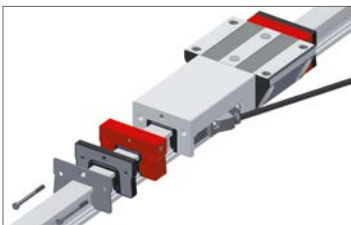
Product overview AMSABS 4B Rails	178
Product overview AMSABS 4B Carriages	179

10.2 Technical data and options **180**



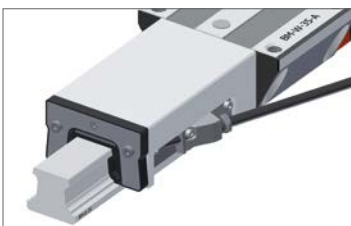
AMSABS 4B Size 15	180
AMSABS 4B Size 20	182
AMSABS 4B Size 25	184
AMSABS 4B Size 30	186
AMSABS 4B Size 35	188
AMSABS 4B Size 45	190

10.3 Accessories MONORAIL AMSABS 4B **192**



Accessories overview	192
AMSABS 4B Rails accessory details	81
AMSABS 4B Carriages accessory details	83

10.4 Order key **193**

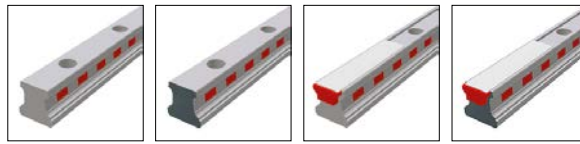


Order key AMSABS 4B Rails	193
Order key AMSABS 4B Carriages	193
Order key AMSABS 4B Reading head (spare part)	194

10.1 Overview of types, sizes and available options

AMSABS 4B Rails

Product overview AMSABS 4B Rails



	N standard	ND standard, through hardened	C for cover strip	CD for cover strip, through hardened		
Buildsizes / Rail build forms						
Size 15		AMSABS 4B S 15-ND		AMSABS 4B S 15-CD		
Size 20	AMSABS 4B S 20-N					
Size 25	AMSABS 4B S 25-N		AMSABS 4B S 25-C			
Size 30	AMSABS 4B S 30-N					
Size 35	AMSABS 4B S 35-N					
Size 45	AMSABS 4B S 45-N		AMSABS 4B S 45-N			
Features						
Screwable from above	●	●	●	●		
Small assembly effort			●	●		
Great single-part system length	●		●			
For the support of metal covers		●				

Available options for AMSABS 4B Rails

Details see chapter 2

Accuracy

- G0 Highly accurate
- G1 Very accurate
- G2 Accurate
- G3 Standard

Straightness

- KC Standard

Coating

- CN None
- CH Hard chromium

Locating sides

- R11 Ref.bottom, scale bottom
- R12 Ref.bottom, scale top
- R21 Ref.top, scale bottom
- R22 Ref.top, scale top

Available accessories for AMSABS 4B Rails

Details see chapter 4.3

Plugs

Cover strips

Assembly tools

10.1 Overview of types, sizes and available options

AMSABS 4B Carriages

Product overview AMSABS 4B Carriages



A standard,
B standard, long
C compact, high
D compact, high, long
F compact

Buildsizes / Carriage build forms

Size 15	AMSABS 4B W 15-A		AMSABS 4B W 15-C	AMSABS 4B W 15-F	
Size 20	AMSABS 4B W 20-A	AMSABS 4B W 20-B	AMSABS 4B W 20-C	AMSABS 4B W 20-D	
Size 25	AMSABS 4B W 25-A	AMSABS 4B W 25-B	AMSABS 4B W 25-C	AMSABS 4B W 25-D	
Size 30	AMSABS 4B W 30-A	AMSABS 4B W 30-B	AMSABS 4B W 30-C	AMSABS 4B W 30-D	
Size 35	AMSABS 4B W 35-A	AMSABS 4B W 35-B	AMSABS 4B W 35-C	AMSABS 4B W 35-D	
Size 45	AMSABS 4B W 45-A	AMSABS 4B W 45-B	AMSABS 4B W 45-C	AMSABS 4B W 45-D	

Features

Screwable from above	●	●	●	●	●
Screwable from below	●	●			
For high loads and moments		●		●	
For medium loads and moments	●		●		●
For limited installation space					●

Available options for AMSABS 4B Carriages

Details see chapter 2

Accuracy

- G0** Highly accurate
- G1** Very accurate
- G2** Accurate
- G3** Standard

Preload

- V0** Very low
- V1** Low
- V2** Medium
- V3** High

Reference side

- R1** Ref. at bottom
- R2** Ref. on top

Coating

- CN** None
- CH** Hard chromium

Lube connections

- S10** Left center
- S20** Right center
- S11** Top left
- S21** Top right
- S12** Lower left side
- S22** Lower right side

- S13** Upper left side
- S23** Upper right side
- S32** Left side
- S42** Right side
- S49** P1: S10+S12+S13 locked using threaded pins
- S49** P3: S20+S22+S23 locked using threaded pins

Lubrication

- LN** Oil protect
- LG** Grease protect
- LV** Full greasing

Interface

- TMH** TMH, absolute, 0.3m
- TRH** TRH, absolute, 3m
- TDC** TDC, absolute

Reading head position

- P1** Right top
- P3** Left bottom

Note: P2/P4 on request

Available accessories for AMSABS 4B Carriages

Details see chapter 2.1 und 4.3

Additional wipers
Metal wiper

Bellows
Lube nipples

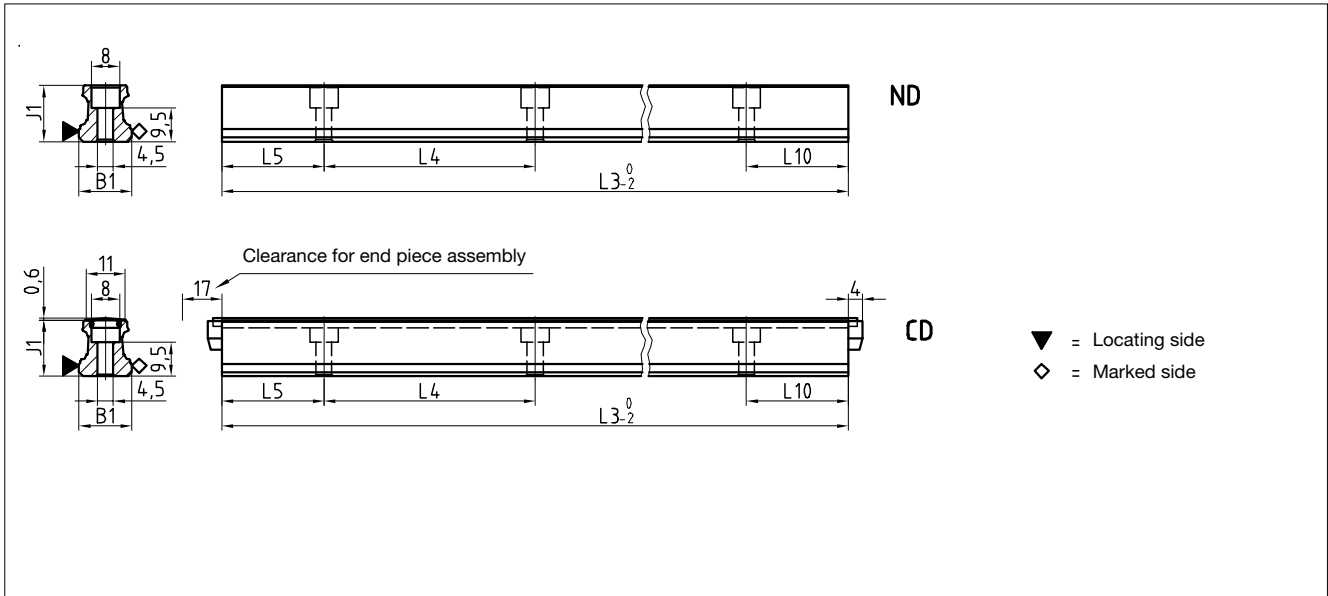
Assembly rails
Lube adapters

Lubrication plates
Cables

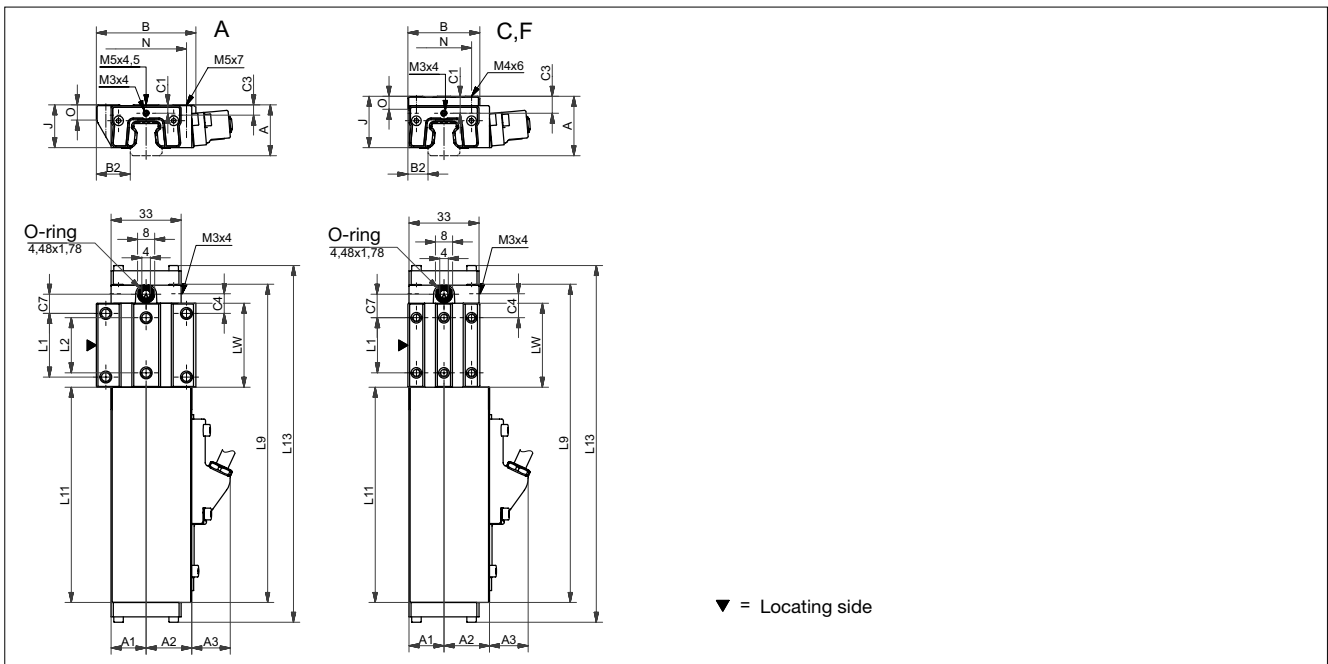
10.2 Technical data and options

AMSABS 4B Size 15

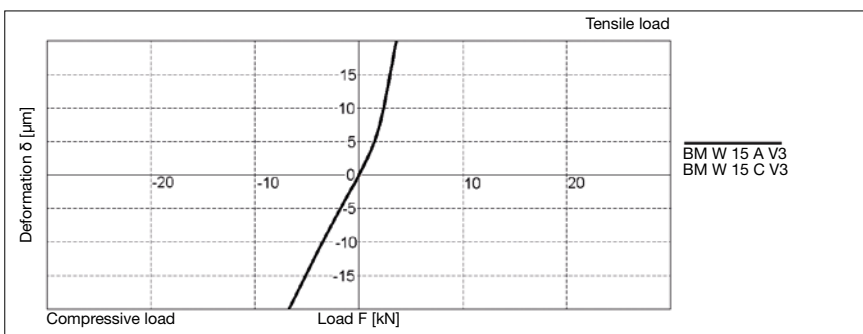
AMSABS 4B S 15 Drawings



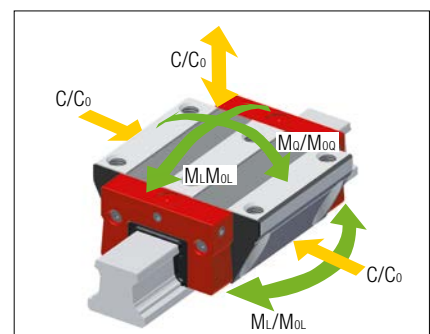
AMSABS 4B W 15 Drawings



AMSABS 4B W 15 Rigidity diagram



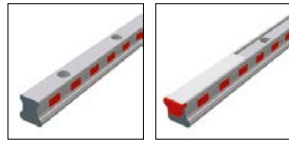
AMSABS 4B W 15 Load rating



10.2 Technical data and options

AMSABS 4B Size 15

AMSABS 4B S 15 Dimensions



	AMSABS 4B S 15-ND	AMSABS 4B S 15-CD			
B1: Rail width	15	15			
J1: Rail height	15.7	15.7			
L3: Rail length max.	1500	1500			
L4: Spacing of fixing holes	60	60			
L5/L10: Position of first/last fixing hole	28.5	28.5			
Gew.: Rail weight, specific (kg/m)	1.4	1.3			

Available options for AMSABS 4B S 15



AMSABS 4B W 15 Dimensions and capacities



	AMSABS 4B W 15-A	AMSABS 4B W 15-C	AMSABS 4B W 15-F		
A: System height	24	28	24		
A1: Half width of housing on opposite side	16.5	16.5	16.5		
A2: Half width of housing on reading head side	21.5	21.5	21.5		
A3: Projection of reading head	17.5	17.5	17.5		
B: Carriage width	47	34	34		
B2: Distance between locating faces	16	9.5	9.5		
C1: Position of center front lube hole	4	8	4		
C3: Position of lateral lube hole	3.7	7.7	3.7		
C4: Position of lateral lube hole	9.3	11.3	11.3		
C7: Position of top lube hole	9.05	11.05	11.05		
J: Carriage height	20.4	24.4	20.4		
L1: Exterior fixing hole spacing	30	26	26		
L2: Interior fixing hole spacing	26	-	-		
L9: Carriage length with housing	149.6	149.6	149.6		
L11: Housing length	101.5	101.5	101.5		
L13: Total length measuring carriage	168.5	168.5	168.5		
Lw: Inner carriage body length	39.6	39.6	39.6		
N: Lateral fixing hole spacing	38	26	26		
O: Reference face height	7	6	5.5		
Capacities and weights					
C0: Static load capacity (N)	19600	19600	19600		
C100: Dynamic load capacity (N)	9000	9000	9000		
MOQ: Static cross moment capacity (Nm)	181	181	181		
MOL: Static longitud. moment capacity (Nm)	146	146	146		
MQ: Dyn. cross moment capacity (Nm)	83	83	83		
ML: Dyn. longitud. moment capacity (Nm)	67	67	67		
Gew: Carriage weight (kg)	0.4	0.5	0.4		

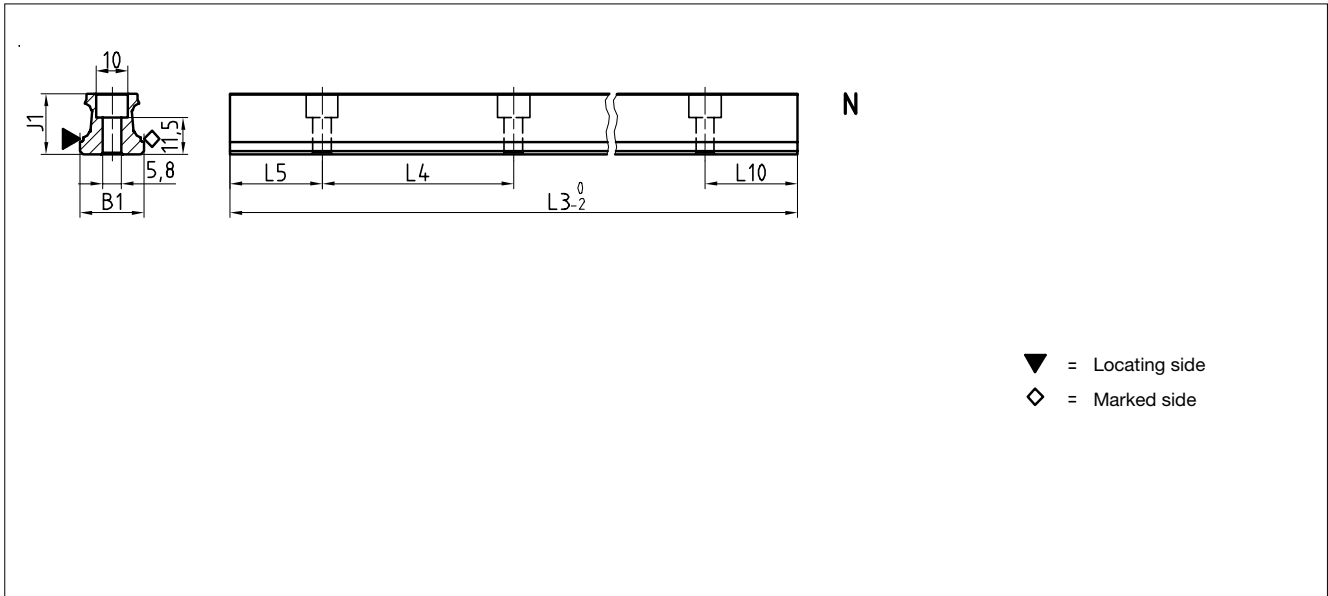
Available options for AMSABS 4B W 15



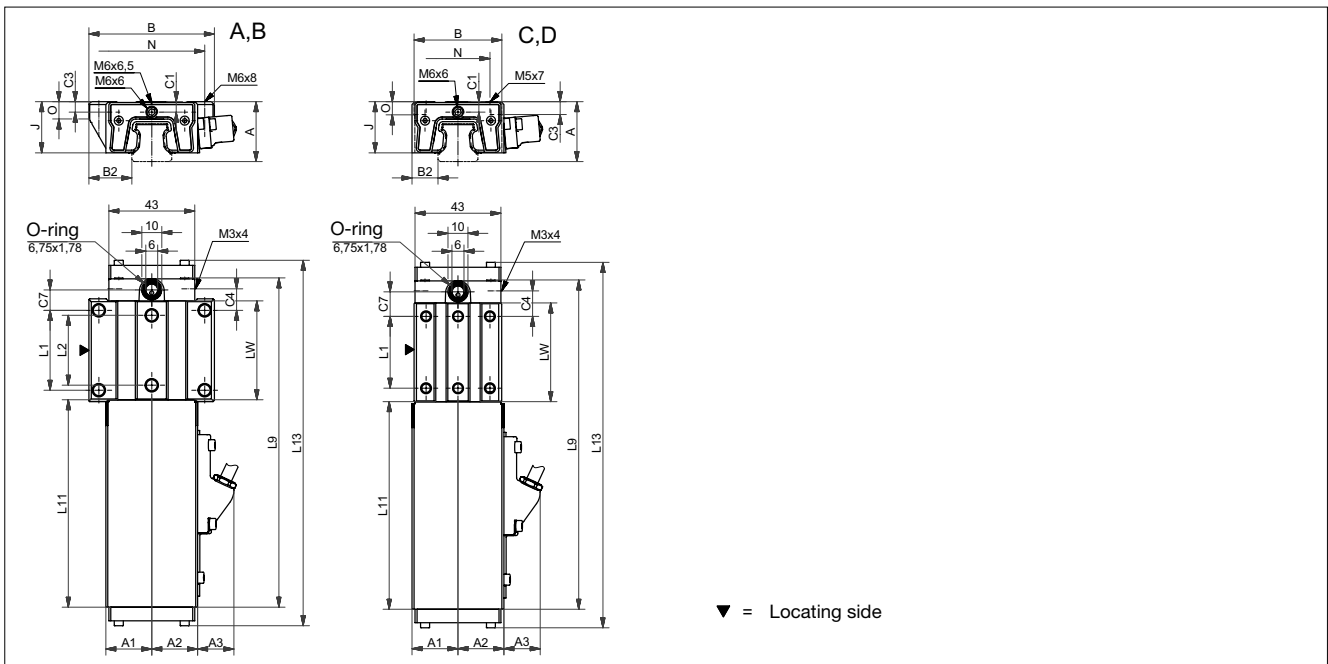
10.2 Technical data and options

AMSABS 4B Size 20

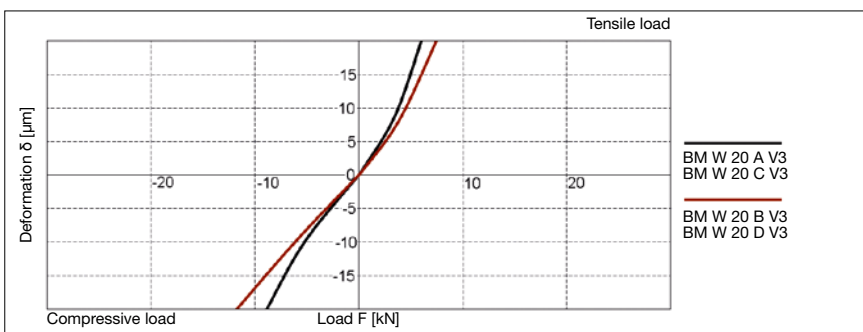
AMSABS 4B S 20 Drawings



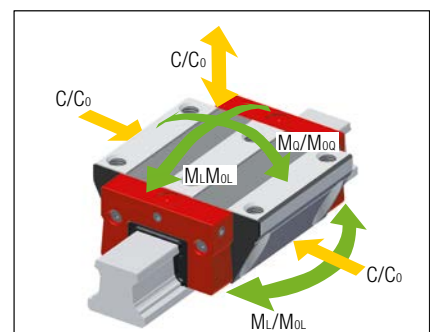
AMSABS 4B W 20 Drawings



AMSABS 4B W 20 Rigidity diagram



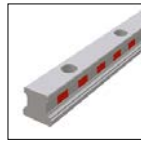
AMSABS 4B W 20 Load rating



10.2 Technical data and options

AMSABS 4B Size 20

AMSABS 4B S 20 Dimensions



	AMSABS 4B S 20-N				
B1: Rail width	20				
J1: Rail height	19				
L3: Rail length max.	3000				
L4: Spacing of fixing holes	60				
L5/L10: Position of first/last fixing hole	28.5				
Gew.: Rail weight, specific (kg/m)	2.2				

Available options for AMSABS 4B S 20



AMSABS 4B W 20 Dimensions and capacities



	AMSABS 4B W 20-A	AMSABS 4B W 20-B	AMSABS 4B W 20-C	AMSABS 4B W 20-D			
A: System height	30	30	30	30			
A1: Half width of housing on opposite side	23	23	23	23			
A2: Half width of housing on reading head side	23	23	23	23			
A3: Projection of reading head	17.5	17.5	17.5	17.5			
B: Carriage width	63	63	44	44			
B2: Distance between locating faces	21.5	21.5	12	12			
C1: Position of center front lube hole	5.2	5.2	5.2	5.2			
C3: Position of lateral lube hole	4.6	4.6	4.6	4.6			
C4: Position of lateral lube hole	10.75	18.75	12.75	13.75			
C7: Position of top lube hole	10.25	18.25	12.25	13.25			
J: Carriage height	25.5	25.5	25.5	25.5			
L1: Exterior fixing hole spacing	40	40	36	50			
L2: Interior fixing hole spacing	35	35	-	-			
L9: Carriage length with housing	164.5	180.5	164.5	180.5			
L11: Housing length	104	104	104	104			
L13: Total length measuring carriage	184	200	184	200			
Lw: Inner carriage body length	49.5	65.5	49.5	65.5			
N: Lateral fixing hole spacing	53	53	32	32			
O: Reference face height	8	8	6	6			
Capacities and weights							
C0: Static load capacity (N)	31400	41100	31400	41100			
C100: Dynamic load capacity (N)	14400	17400	14400	17400			
MOQ: Static cross moment capacity (Nm)	373	490	373	490			
MOL: Static longitud. moment capacity (Nm)	292	495	292	495			
MQ: Dyn. cross moment capacity (Nm)	171	206	171	206			
ML: Dyn. longitud. moment capacity (Nm)	134	208	134	208			
Gew.: Carriage weight (kg)	0.7	0.8	0.6	0.7			

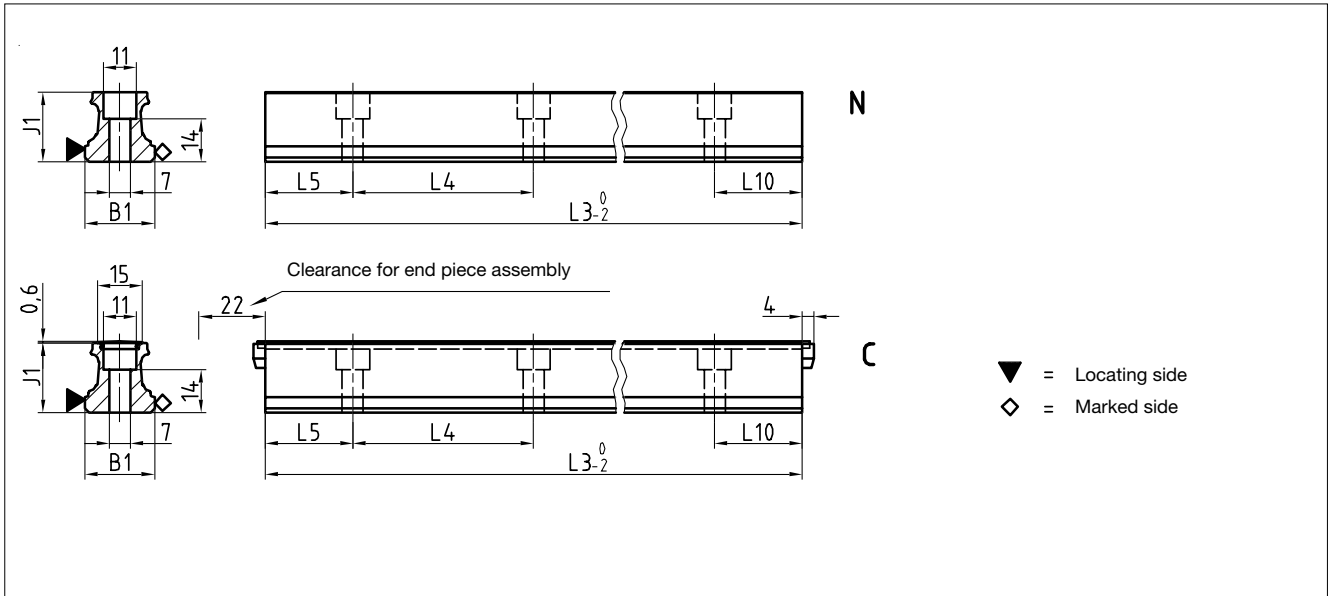
Available options for AMSABS 4B W 20



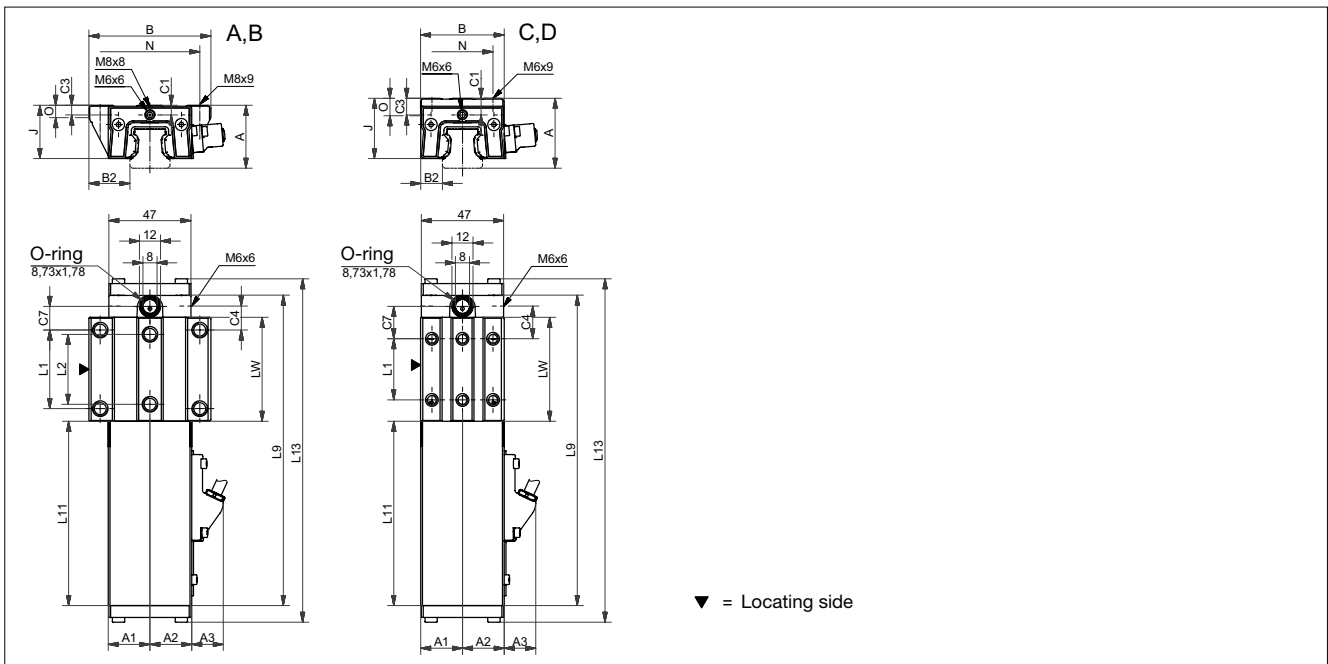
10.2 Technical data and options

AMSABS 4B Size 25

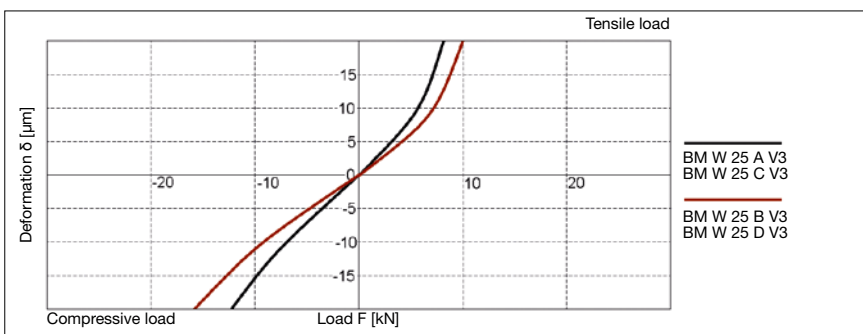
AMSABS 4B S 25 Drawings



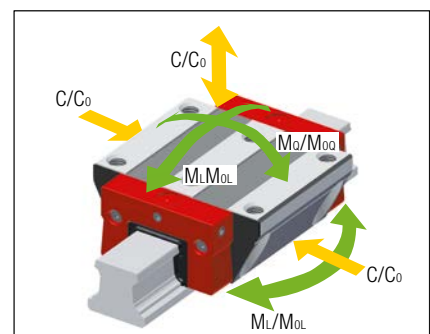
AMSABS 4B W 25 Drawings



AMSABS 4B W 25 Rigidity diagram



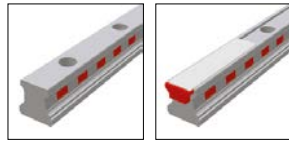
AMSABS 4B W 25 Load rating



10.2 Technical data and options

AMSABS 4B Size 25

AMSABS 4B S 25 Dimensions



	AMSABS 4B S 25-N	AMSABS 4B S 25-C				
B1: Rail width	23	23				
J1: Rail height	22.7	22.7				
L3: Rail length max.	6000	6000				
L4: Spacing of fixing holes	60	60				
L5/L10: Position of first/last fixing hole	28.5	28.5				
Gew.: Rail weight, specific (kg/m)	3.0	2.8				

Available options for AMSABS 4B S 25



AMSABS 4B W 25 Dimensions and capacities



	AMSABS 4B W 25-A	AMSABS 4B W 25-B	AMSABS 4B W 25-C	AMSABS 4B W 25-D		
A: System height	36	36	40	40		
A1: Half width of housing on opposite side	23.9	23.9	23.9	23.9		
A2: Half width of housing on reading head side	23.9	23.9	23.9	23.9		
A3: Projection of reading head	17.4	17.4	17.4	17.4		
B: Carriage width	70	70	48	48		
B2: Distance between locating faces	23.5	23.5	12.5	12.5		
C1: Position of center front lube hole	5.5	5.5	9.5	9.5		
C3: Position of lateral lube hole	5.5	5.5	9.5	9.5		
C4: Position of lateral lube hole	13.75	23.25	18.75	20.75		
C7: Position of top lube hole	13.5	23	18.5	20.5		
J: Carriage height	30.5	30.5	34.5	34.5		
L1: Exterior fixing hole spacing	45	45	35	50		
L2: Interior fixing hole spacing	40	40	-	-		
L9: Carriage length with housing	177.5	196.5	177.5	196.5		
L11: Housing length	105.5	105.5	105.5	105.5		
L13: Total length measuring carriage	197	216	197	216		
Lw: Inner carriage body length	59.5	78.5	59.5	78.5		
N: Lateral fixing hole spacing	57	57	35	35		
O: Reference face height	7	7	11	11		

Capacities and weights

CO: Static load capacity (N)	46100	60300	46100	60300		
C100: Dynamic load capacity (N)	21100	25500	21100	25500		
MOQ: Static cross moment capacity (Nm)	631	825	631	825		
MOL: Static longitud. moment capacity (Nm)	513	863	513	863		
MQ: Dyn. cross moment capacity (Nm)	289	349	289	349		
ML: Dyn. longitud. moment capacity (Nm)	235	365	235	365		
Gew: Carriage weight (kg)	1.0	1.2	0.9	1.1		

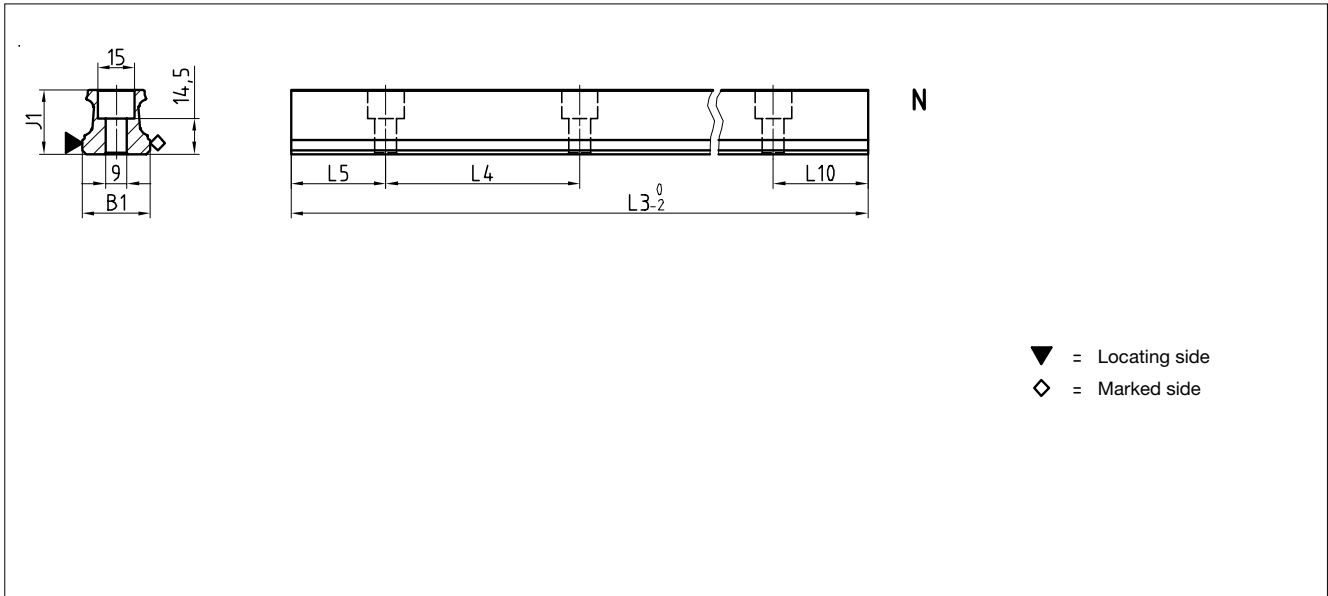
Available options for AMSABS 4B W 25



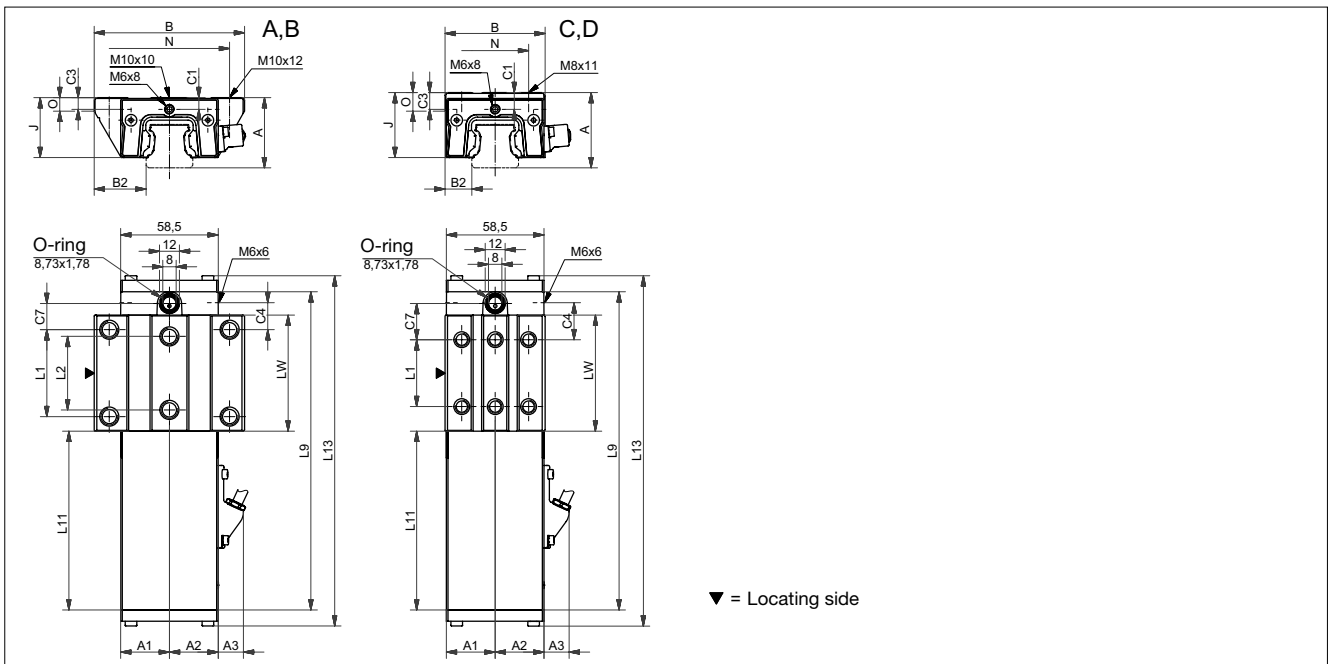
10.2 Technical data and options

AMSABS 4B Size 30

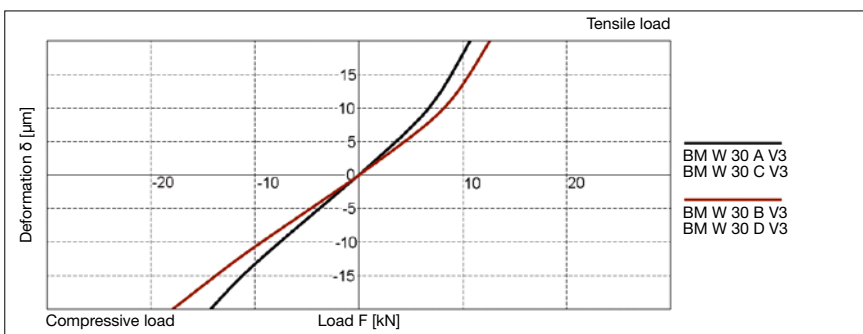
AMSABS 4B S 30 Drawings



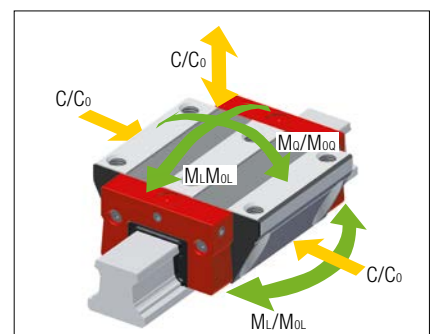
AMSABS 4B W 30 Drawings



AMSABS 4B W 30 Rigidity diagram



AMSABS 4B W 30 Load rating



10.2 Technical data and options

AMSABS 4B Size 30

AMSABS 4B S 30 Dimensions



		AMSABS 4B S 30-N				
B1:	Rail width	28				
J1:	Rail height	26				
L3:	Rail length max.	6000				
L4:	Spacing of fixing holes	80				
L5/L10:	Position of first/last fixing hole	38.5				
Gew.:	Rail weight, specific (kg/m)	4.3				

Available options for AMSABS 4B S 30



AMSABS 4B W 30 Dimensions and capacities



	AMSABS 4B W 30-A	AMSABS 4B W 30-B	AMSABS 4B W 30-C	AMSABS 4B W 30-D		
A:	System height	42	42	45	45	
A1:	Half width of housing on opposite side	29.3	29.3	29.3	29.3	
A2:	Half width of housing on reading head side	29.3	29.3	29.3	29.3	
A3:	Projection of reading head	14.4	14.4	14.4	14.4	
B:	Carriage width	90	90	60	60	
B2:	Distance between locating faces	31	31	16	16	
C1:	Position of center front lube hole	7	7	10	10	
C3:	Position of lateral lube hole	6	6	9	9	
C4:	Position of lateral lube hole	16.2	27.2	22.2	23.2	
C7:	Position of top lube hole	15.7	26.7	21.7	22.7	
J:	Carriage height	35.9	35.9	38.9	38.9	
L1:	Exterior fixing hole spacing	52	52	40	60	
L2:	Interior fixing hole spacing	44	44	-	-	
L9:	Carriage length with housing	190.4	212.4	190.4	212.4	
L11:	Housing length	107	107	107	107	
L13:	Total length measuring carriage	209.9	231.9	209.9	231.9	
Lw:	Inner carriage body length	69.4	91.4	69.4	91.4	
N:	Lateral fixing hole spacing	72	72	40	40	
O:	Reference face height	7.8	7.8	11	11	
Capacities and weights						
C0:	Static load capacity (N)	63700	83300	63700	83300	
C100:	Dynamic load capacity (N)	29200	35300	29200	35300	
MOQ:	Static cross moment capacity (Nm)	1084	1414	1084	1414	
MOL:	Static longitud. moment capacity (Nm)	829	1390	829	1390	
MQ:	Dyn. cross moment capacity (Nm)	497	599	497	599	
ML:	Dyn. longitud. moment capacity (Nm)	380	589	380	589	
Gew:	Carriage weight (kg)	1.6	1.9	1.4	1.7	

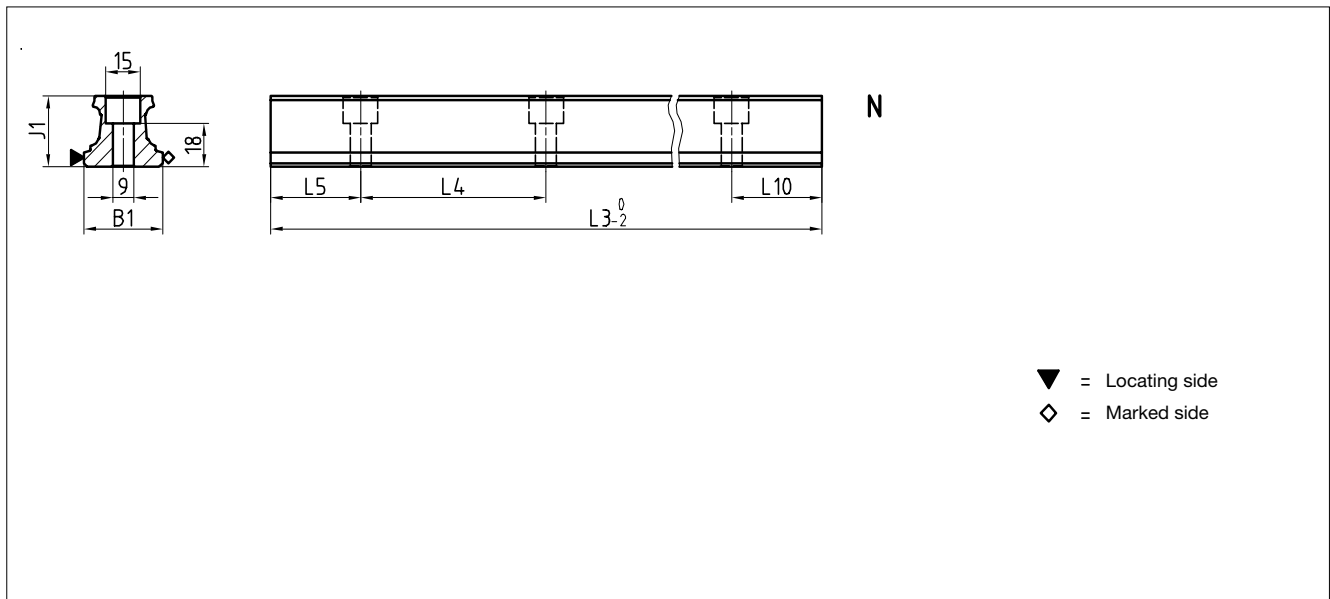
Available options for AMSABS 4B W 30



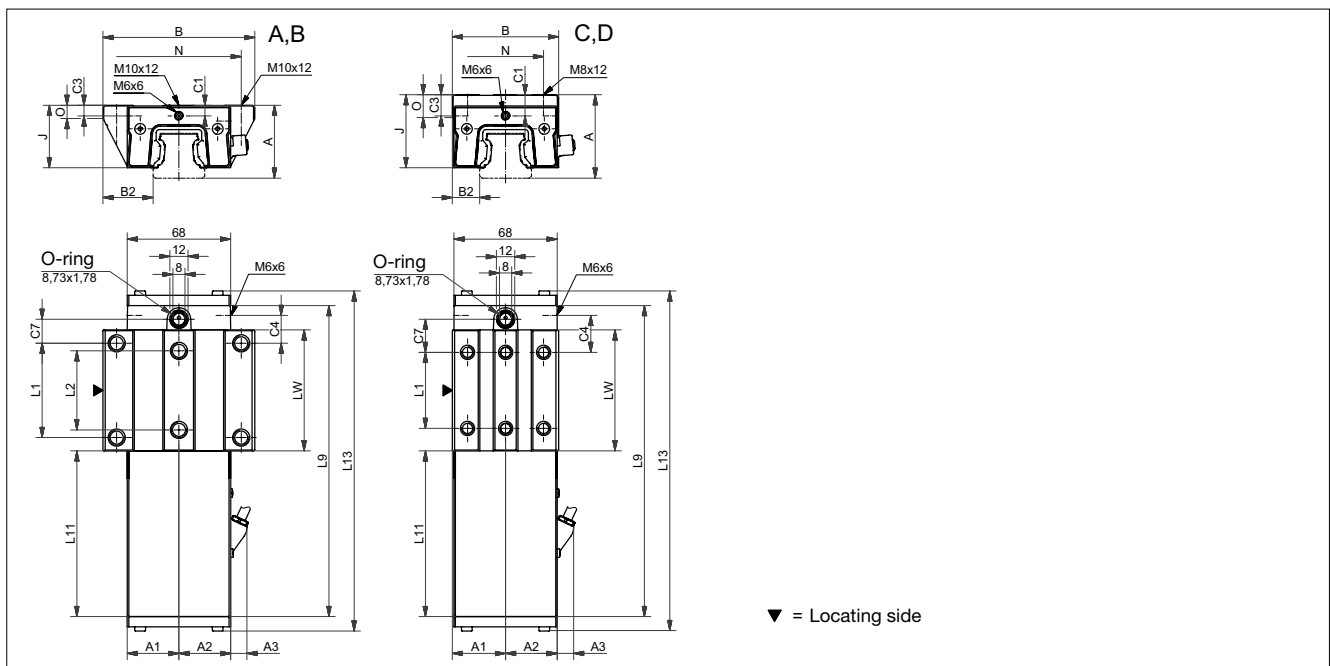
10.2 Technical data and options

AMSABS 4B Size 35

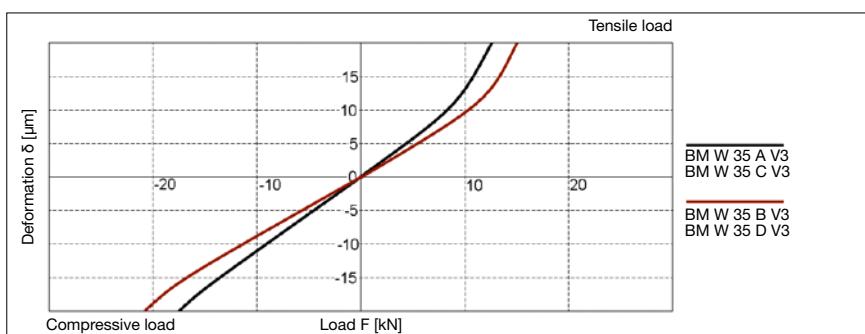
AMSABS 4B S 35 Drawings



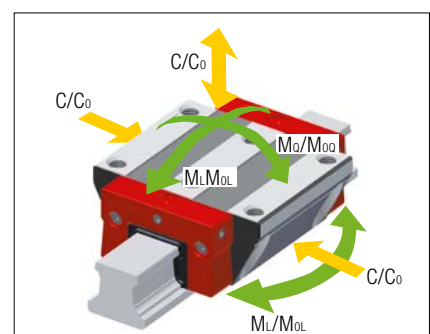
AMSABS 4B W 35 Drawings



AMSABS 4B W 35 Rigidity diagram



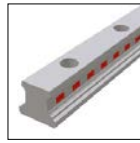
AMSABS 4B W 35 Load rating



10.2 Technical data and options

AMSABS 4B Size 35

AMSABS 4B S 35 Dimensions



	AMSABS 4B S 35-N				
B1: Rail width	34				
J1: Rail height	29.5				
L3: Rail length max.	6000				
L4: Spacing of fixing holes	80				
L5/L10: Position of first/last fixing hole	38.5				
Gew.: Rail weight, specific (kg/m)	5.4				

Available options for AMSABS 4B S 35



AMSABS 4B W 35 Dimensions and capacities



	AMSABS 4B W 35-A	AMSABS 4B W 35-B	AMSABS 4B W 35-C	AMSABS 4B W 35-D		
A: System height	48	48	55	55		
A1: Half width of housing on opposite side	34	34	34	34		
A2: Half width of housing on reading head side	34	34	34	34		
A3: Projection of reading head	10.1	10.1	10.1	10.1		
B: Carriage width	100	100	70	70		
B2: Distance between locating faces	33	33	18	18		
C1: Position of center front lube hole	7	7	14	14		
C3: Position of lateral lube hole	6.5	6.5	13.5	13.5		
C4: Position of lateral lube hole	18.3	31.05	24.3	26.05		
C7: Position of top lube hole	15.8	28.55	21.8	23.55		
J: Carriage height	41	41	48	48		
L1: Exterior fixing hole spacing	62	62	50	72		
L2: Interior fixing hole spacing	52	52	-	-		
L9: Carriage length with housing	204.6	230.1	204.6	230.1		
L11: Housing length	109	109	109	109		
L13: Total length measuring carriage	224.1	249.6	224.1	249.6		
Lw: Inner carriage body length	79.6	105.1	79.6	105.1		
N: Lateral fixing hole spacing	82	82	50	50		
O: Reference face height	8	8	15	15		
Capacities and weights						
C0: Static load capacity (N)	84400	110300	84400	110300		
C100: Dynamic load capacity (N)	38700	46700	38700	46700		
MOQ: Static cross moment capacity (Nm)	1566	2048	1566	2048		
MOL: Static longitud. moment capacity (Nm)	1252	2104	1252	2104		
MQ: Dyn. cross moment capacity (Nm)	718	867	718	867		
ML: Dyn. longitud. moment capacity (Nm)	574	891	574	891		
Gew: Carriage weight (kg)	2.3	2.8	2.2	2.7		

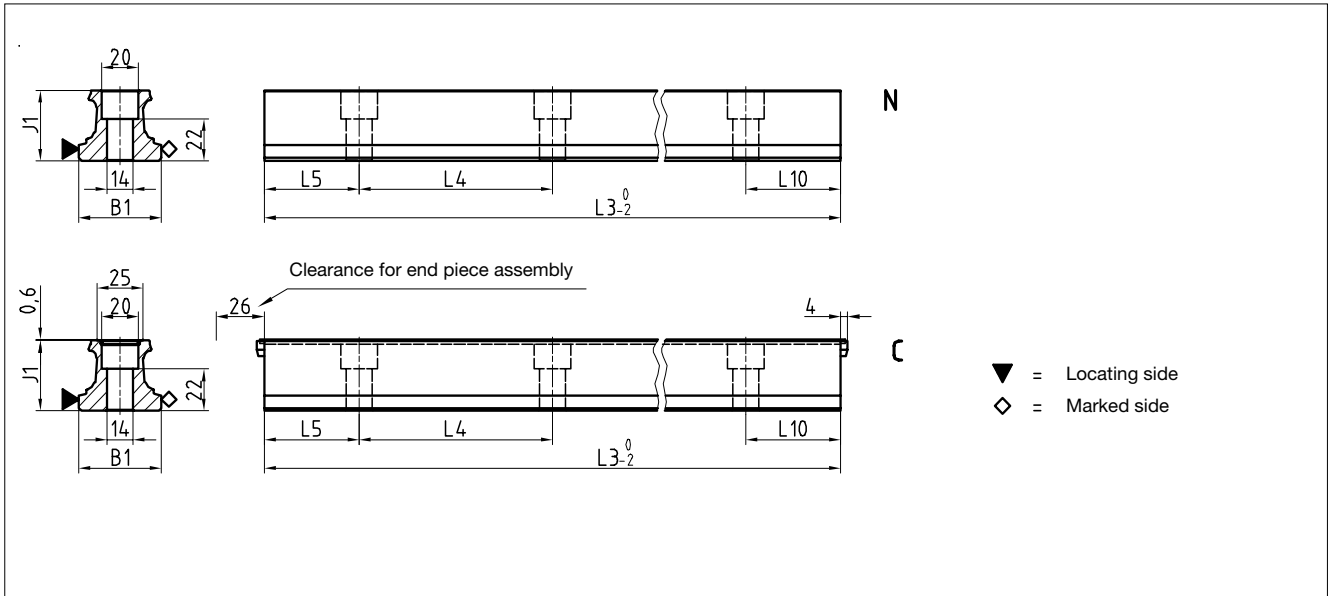
Available options for AMSABS 4B W 35



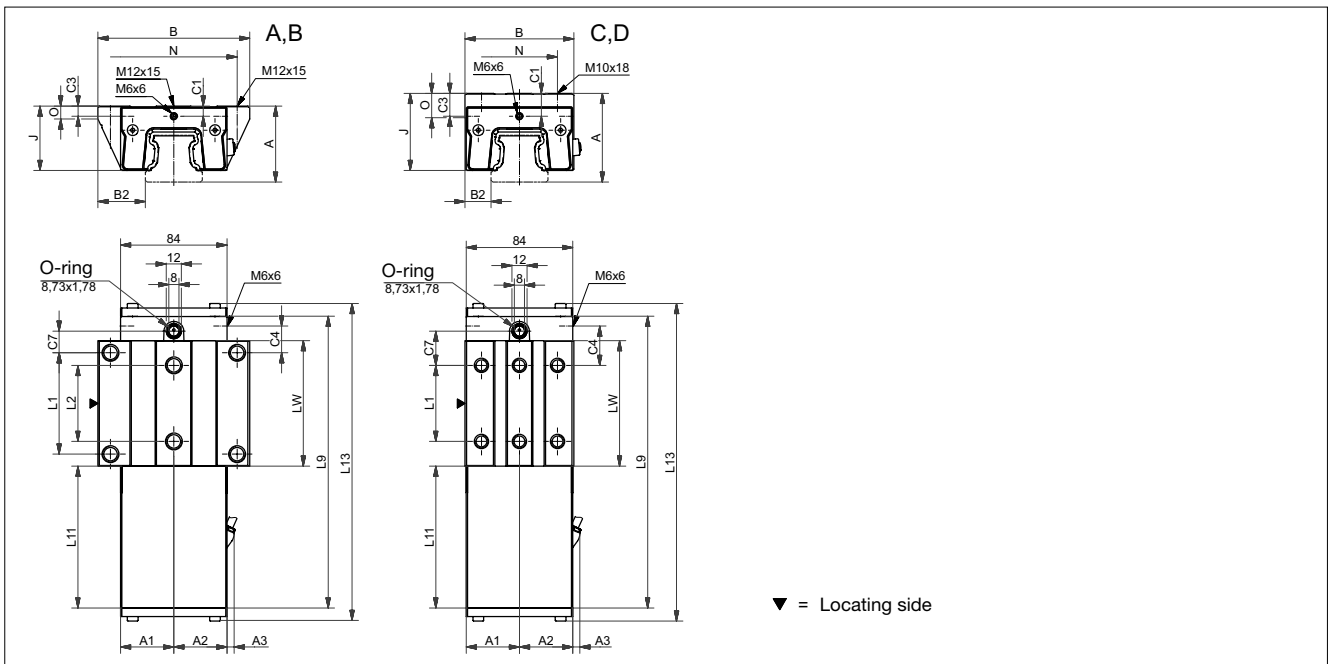
10.2 Technical data and options

AMSABS 4B Size 45

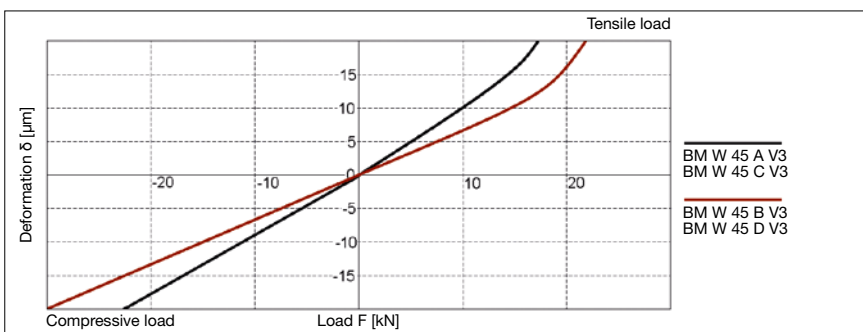
AMSABS 4B S 45 Drawings



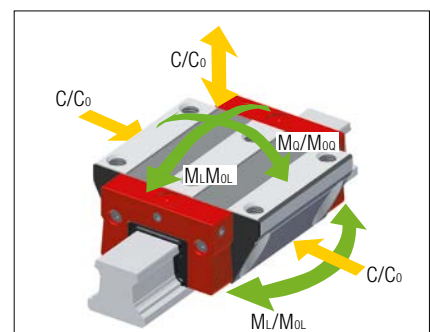
AMSABS 4B W 45 Drawings



AMSABS 4B W 45 Rigidity diagram



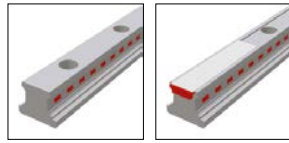
AMSABS 4B W 45 Load rating



10.2 Technical data and options

AMSABS 4B Size 45

AMSABS 4B S 45 Dimensions



	AMSABS 4B S 45-N	AMSABS 4B S 45-C				
B1: Rail width	45	45				
J1: Rail height	37	37				
L3: Rail length max.	6 000	6 000				
L4: Spacing of fixing holes	105	105				
L5/L10: Position of first/last fixing hole	51	51				
Gew.: Rail weight, specific (kg/m)	8.8	8.6				

Available options for AMSABS 4B S 45



AMSABS 4B W 45 Dimensions and capacities



	AMSABS 4B W 45-A	AMSABS 4B W 45-B	AMSABS 4B W 45-C	AMSABS 4B W 45-D		
A: System height	60	60	70	70		
A1: Half width of housing on opposite side	42	42	42	42		
A2: Half width of housing on reading head side	42	42	42	42		
A3: Projection of reading head	5	5	5	5		
B: Carriage width	120	120	86	86		
B2: Distance between locating faces	37.5	37.5	20.5	20.5		
C1: Position of center front lube hole	8	8	18	18		
C3: Position of lateral lube hole	8	8	18	18		
C4: Position of lateral lube hole	21.05	36.8	31.05	36.8		
C7: Position of top lube hole	17.05	32.8	27.05	32.8		
J: Carriage height	50.8	50.8	60.8	60.8		
L1: Exterior fixing hole spacing	80	80	60	80		
L2: Interior fixing hole spacing	60	60	-	-		
L9: Carriage length with housing	230.1	261.6	230.1	261.6		
L11: Housing length	112	112	112	112		
L13: Total length measuring carriage	251	282.5	251	282.5		
Lw: Inner carriage body length	99.1	130.6	99.1	130.6		
N: Lateral fixing hole spacing	100	100	60	60		
O: Reference face height	10	10	19	19		

Capacities and weights

C0: Static load capacity (N)	134800	176300	134800	176300		
C100: Dynamic load capacity (N)	61900	74700	61900	74700		
MOQ: Static cross moment capacity (Nm)	3193	4175	3193	4175		
MOL: Static longitud. moment capacity (Nm)	2498	4199	2498	4199		
MQ: Dyn. cross moment capacity (Nm)	1466	1769	1466	1769		
ML: Dyn. longitud. moment capacity (Nm)	1147	1779	1147	1779		
Gew: Carriage weight (kg)	4.0	4.9	4.0	5.0		

Available options for AMSABS 4B W 45



AMSABS 4B Rails accessories overview

Accessories	AMSABS 4B S 15	AMSABS 4B S 20	AMSABS 4B S 25	AMSABS 4B S 30	AMSABS 4B S 35	AMSABS 4B S 45
Plugs:						
Plastic plugs	BRK 15	BRK 20	BRK 25	BRK 30	BRK 35	BRK 45
Cover strips:						
Cover strip (spare part)	BAC 15	-	BAC 25	-	-	BAC 45
End piece for cover strip (spare part)	EST 15-BAC	-	EST 25-BAC	-	-	EST 45-BAC
Securing band for cover strip (spare part)	BSC 15-BAC	-	BSC 25-BAC	-	-	BSC 45-BAC
Assembly tools:						
Installation tool for cover strip	BWC 15	-	BWC 25	-	-	BWC 45

AMSABS 4B Carriages accessories overview

Accessories	AMSABS 4B W 15	AMSABS 4B W 20	AMSABS 4B W 25	AMSABS 4B W 30	AMSABS 4B W 35	AMSABS 4B W 45
Additional wipers:						
Additional wipers Viton	ZBV 15	ZBV 20	ZBV 25	ZBV 30	ZBV 35	ZBV 45
Metal wiper	ABM 15-A	ABM 20-A	ABM 25-A	ABM 30-A	ABM 35-A	ABM 45-A
Bellows:						
Bellows	-	FBB 20	FBB 25	FBB 30	FBB 35	FBB 45
Adapter plate for bellows (spare part)	-	ZPB 20	ZPB 25	ZPB 30	ZPB 35	ZPB 45
End plate for bellows (spare part)	-	EPB 20	EPB 25	EPB 30	EPB 35	EPB 45
Assembly rails:						
Assembly rail	MBM 15	MBM 20	MBM 25	MBM 30	MBM 35	MBM 45
Lubrication plates:						
Lubrication plate	SPL 15-BM	SPL 20-BM	SPL 25-BM	SPL 30-BM	SPL 35-BM	SPL 45-BM
Front plates:						
Cross wiper for front plate (spare part)	QAS 15-STB	QAS 20-STB	QAS 25-STB	QAS 30-STB	QAS 35-STB	QAS 45-STB
Lube nipples:						
Hydraulic-type grease nipple straight	-	SN 6	SN 6	SN 6	SN 6	SN 6
Hydraulic-type grease nipple 45°	-	SN 6-45	SN 6-45	SN 6-45	SN 6-45	SN 6-45
Hydraulic-type grease nipple 90°	-	SN 6-90	SN 6-90	SN 6-90	SN 6-90	SN 6-90
Flush type grease nipple M3	SN 3-T	SN 3-T	-	-	-	-
Flush type grease nipple M6	-	SN 6-T	SN 6-T	SN 6-T	SN 6-T	SN 6-T
Grease gun for SN 3-T und SN 6-T	SFP-T3	SFP-T3	SFP-T3	SFP-T3	SFP-T3	SFP-T3
Lube adapters:						
Straight screw-in connection M3	SA 3-D3	SA 3-D3	-	-	-	-
Lubrication adapter M8 round-head	-	SA 6-RD-M8	SA 6-RD-M8	SA 6-RD-M8	SA 6-RD-M8	SA 6-RD-M8
Lubrication adapter M8 hexagon head	-	-	-	SA 6-6KT-M8	SA 6-6KT-M8	SA 6-6KT-M8
Lubrication adapter G1/8 hexagon head	-	-	-	SA 6-6KT-G1/8	SA 6-6KT-G1/8	SA 6-6KT-G1/8
Swivel screw connection for pipe d=4 mm	-	SV 6-D4	SV 6-D4	SV 6-D4	SV 6-D4	SV 6-D4
Swivel screw connection M6	-	SV 6-M6	SV 6-M6	SV 6-M6	SV 6-M6	SV 6-M6
Swivel screw connection M6 long	-	SV 6-M6-L	SV 6-M6-L	SV 6-M6-L	SV 6-M6-L	SV 6-M6-L
Swivel screw connection M8	-	SV 6-M8	SV 6-M8	SV 6-M8	SV 6-M8	SV 6-M8
Swivel screw connection M8 long	-	SV 6-M8-L	SV 6-M8-L	SV 6-M8-L	SV 6-M8-L	SV 6-M8-L

10.4 Order key

Individual guide rails and carriages are ordered in accordance with the order codes described below.

AMSABS 4B carriages consist of guide carriage, casing and reading head.

All MONORAIL BM carriages can also be used with AMSABS 4B rails.

Q.v. chapter 2 and chapter 4.3 for the order key for accessories.

Separate order codes are used in each case for rails, carriages and accessories. This also applies to different versions of rails and carriages.

All guide components are supplied individually as standard, i.e. unassembled.

If required, SCHNEEBERGER can also supply rails and carriages assembled incl. accessories as complete systems. Please note the ordering instructions in chapter 2.4 if this applies.

Order code for AMSABS 4B Rails

	1x	AMSABS 4B S	25	-N	-G2	-KC	-R12	-958	-28	-28	-CN	-TA1
Quantity												
Rail												
Size												
Type												
Accuracy												
Straightness												
Reference side												
Rail length L3												
Position of first fixing hole L5												
Position of last fixing hole L10												
Coating												
Type of magnetisation												

NB

Q.v. chapter 10.1 to 10.3 for an overview of types, details of shapes, available options and accessories.

Q.v. chapter 2 for a description of the options.

If possible, standard lengths are preferred for L3 rail length.

These are calculated with the table values in chapter 10.2 using the following formula: $L3 = n \times L4 + L5 + L10 \leq L3_{max}$.

Order code for AMSABS 4B Carriages

	1x	AMSABS 4B W	25	-A	-P1	-G2	-V1	-R1	-CN	-S10	-LN	-TMH	-TS1
Quantity													
Carriage													
Size													
Type													
Reading head position													
Accuracy													
Preload													
Reference side													
Coating													
Lube connection													
Lubrication as delivered condition													
Interface													
Configuration													

NB

Q.v. chapter 10.1 to 10.3 for an overview of types, details of shapes, available options and accessories.

Q.v. chapter 2 for a description of the options.

For detailed information about current configuration options for the interfaces, please visit our website at www.schneeberger.com

10.4 Order key

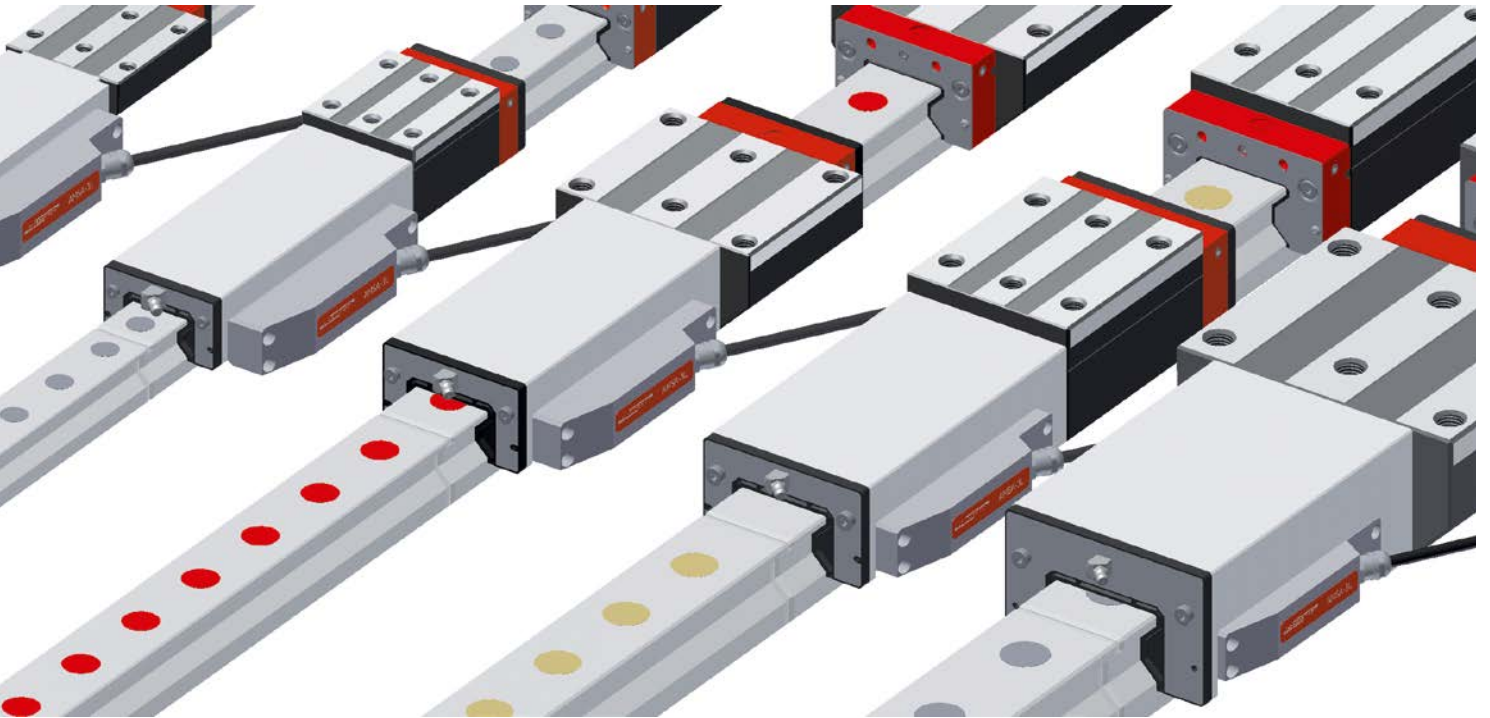
Order code for AMSABS 4B Reading head (spare part)

	1x	SABS XB	-MH	-TS1
Quantity				
Reading head				
Interface				
Configuration				

NB

Q.v. chapter 2 for a description of the options.

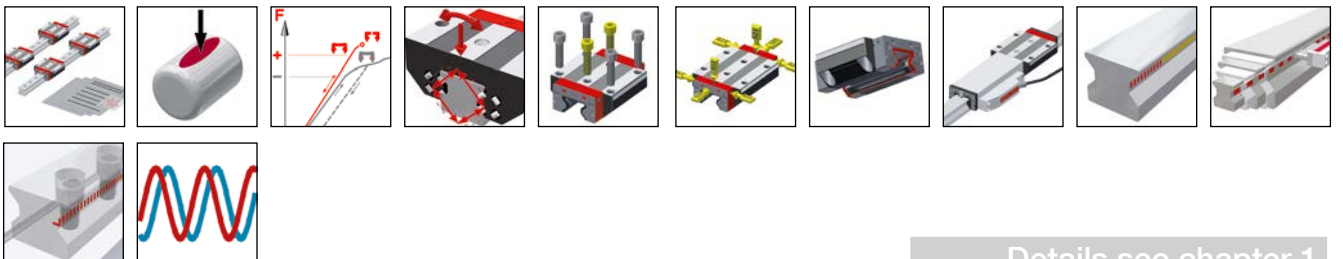
11.0 MONORAIL AMSA 3L

SCHNEEBERGER
LINEAR TECHNOLOGY

With the MONORAIL AMSA 3L, SCHNEEBERGER provides an integrated measuring system for distance measurement for the construction of particularly long axes with specific requirements regarding the accuracy of the system. From a mechanical point of view, the AMSA 3L is based on the SCHNEEBERGER MONORAIL MR roller guide. The special design of the rail joints combined with the AMSA 3L reading head means that the joints can be traversed and any long measuring axes can be constructed. The analogue interface 1 Vpp (200 μ m signal period) with various cable lengths is available as a control interface.

Various options regarding lubrication and sealing of the measuring carriages mean that optimal adjustments can be made to the requirements of the application. The easily exchangeable reading head is identical and replaceable for all sizes.

Features of System MONORAIL AMSA 3L



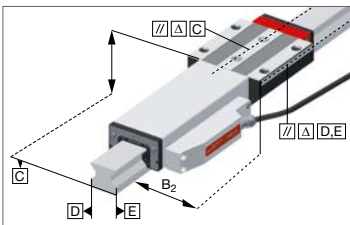
Details see chapter 1

11.1 Overview of types, sizes and available options 198



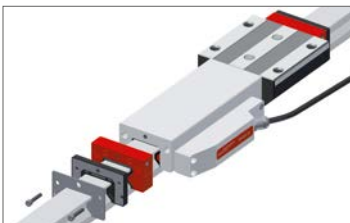
Product overview AMSA 3L Rails	198
Product overview AMSA 3L Carriages	199

11.2 Technical data and options 200



AMSA 3L Size 25	200
AMSA 3L Size 35	202
AMSA 3L Size 45	204
AMSA 3L Size 55	206
AMSA 3L Size 65	208

11.3 Accessories MONORAIL AMSA 3L 210



Accessories overview	210
AMSA 3L Rails accessory details	211
AMSA 3L Carriages accessory details	58

11.4 Order key 212

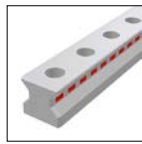


Order key AMSA 3L Rails	212
Order key AMSA 3L Carriages	212
Order key AMSA 3L Reading head (spare part)	212

11.1 Overview of types, sizes and available options

AMSA 3L Rails

Product overview AMSA 3L Rails



	N standard			
Builsizes / Rail build forms				
Size 25	AMSA 3L S 25-N			
Size 35	AMSA 3L S 35-N			
Size 45	AMSA 3L S 45-N			
Size 55	AMSA 3L S 55-N			
Size 65	AMSA 3L S 65-N			
Features				
Screwable from above	●			
Large system lengths	●			

Available options for AMSA 3L Rails

Details see chapter 2

Accuracy

G1 Very accurate

Straightness

KC Standard

Coating

CN None

CH Hard chromium

Locating sides

R11 Ref.bottom, scale bottom

R22 Ref.top, scale top

Available accessories for AMSA 3L Rails

Details see chapter 3.3

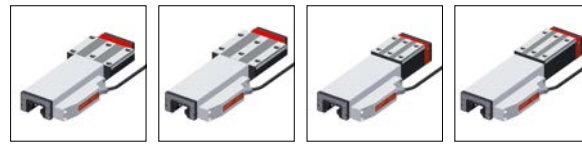
Plugs

Assembly tools

11.1 Overview of types, sizes and available options

AMSA 3L Carriages

Product overview AMSA 3L Carriages



A standard,
B standard, long
C compact, high
D compact, high, long

Buildsizes / Carriage build forms

	A	B	C	D
Size 25	AMSA 3L W 25-A	AMSA 3L W 25-B	AMSA 3L W 25-C	AMSA 3L W 25-D
Size 35	AMSA 3L W 35-A	AMSA 3L W 35-B	AMSA 3L W 35-C	AMSA 3L W 35-D
Size 45	AMSA 3L W 45-A	AMSA 3L W 45-B	AMSA 3L W 45-C	AMSA 3L W 45-D
Size 55	AMSA 3L W 55-A	AMSA 3L W 55-B	AMSA 3L W 55-C	AMSA 3L W 55-D
Size 65	AMSA 3L W 65-A	AMSA 3L W 65-B	AMSA 3L W 65-C	AMSA 3L W 65-D

Features

Screwable from above	●	●	●	●
Screwable from below	●	●		
For high loads and moments		●		●
For medium loads and moments	●		●	

Available options for AMSA 3L Carriages

Details see chapter 2

Accuracy

- G0 Highly accurate
- G1 Very accurate
- G2 Accurate
- G3 Standard

Preload

- V1 Low
- V2 Medium
- V3 High

Reference side

- R1 Ref. at bottom
- R2 Ref. on top

Coating

- CN None
- CH Hard chromium

Lube connections

- S10 Left center
- S20 Right center
- S11 Top left
- S21 Top right
- S12 Lower left side
- S22 Lower right side

- S13 Upper left side
- S23 Upper right side
- S32 Left side
- S42 Right side
- S49 P1: S10+S12+S13 locked using threaded pins
P3: S20+S22+S23 locked using threaded pins

Lubrication

- LN Oil protect
- LG Grease protect
- LV Full greasing

Interface

- TMU TMU, analog, 0.3m
- TSH TSU, analog, 3m

Reading head position

- P1 Right top
- P3 Left bottom

Note: P2/P4 on request

Available accessories for AMSA 3L Carriages

Details see chapter 2.1 and 3.3

Additional wipers
Lube nipples

Assembly rails
Lube adapters

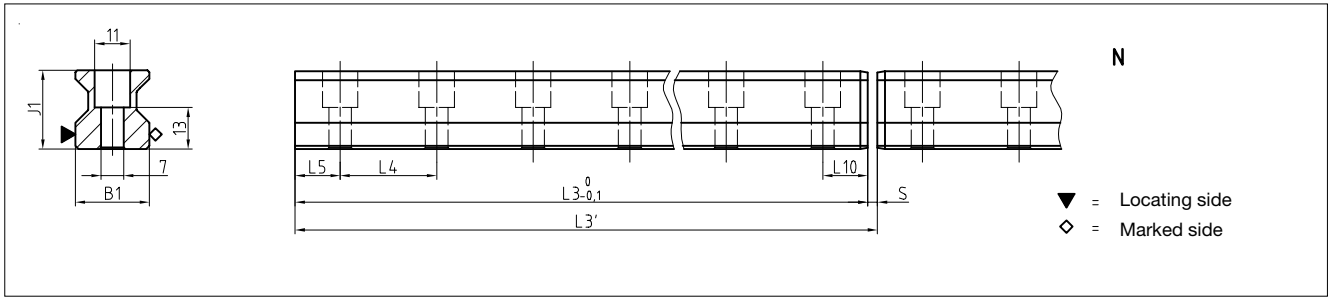
Lubrication plates

Metal wiper

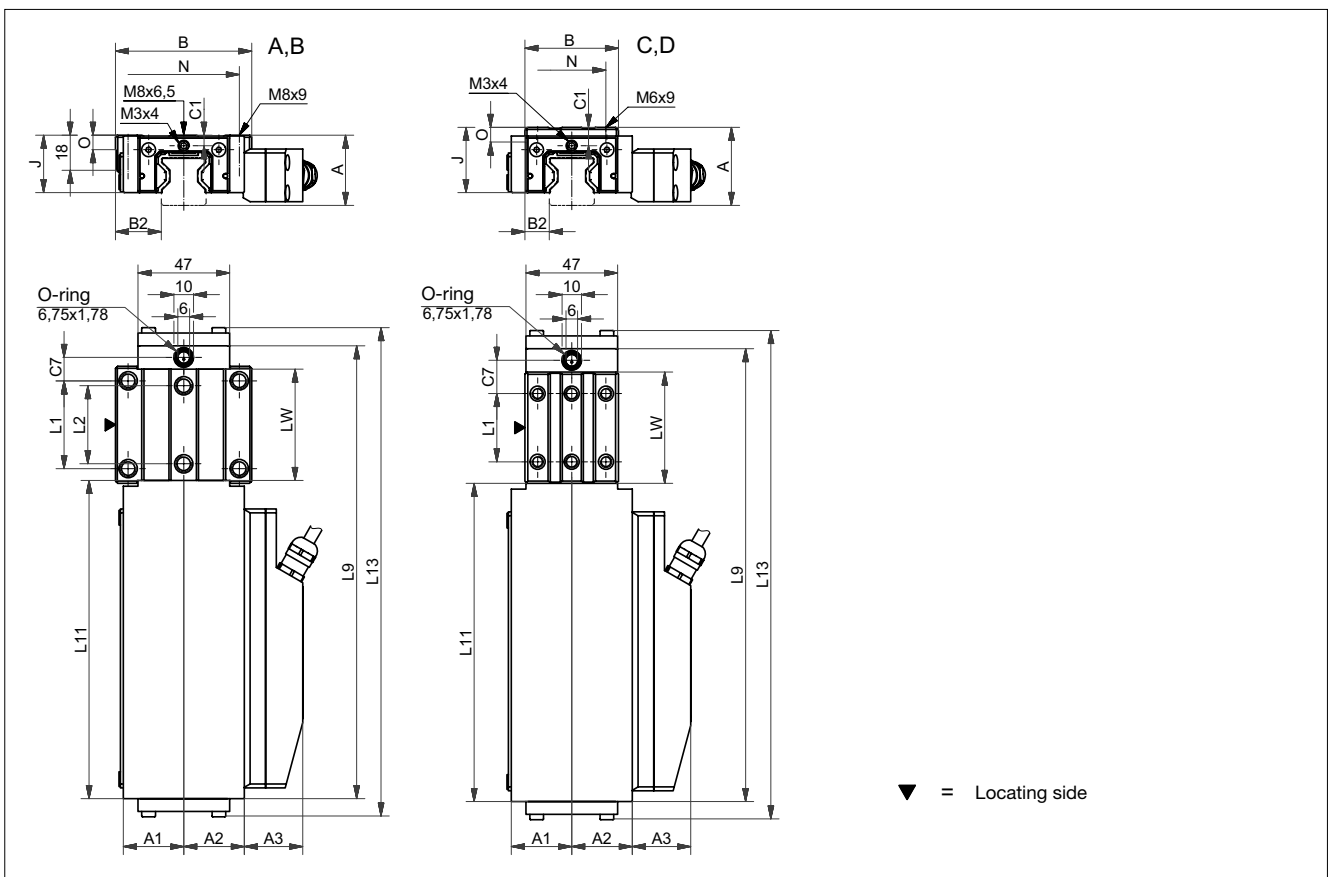
11.2 Technical data and options

AMSA 3L Size 25

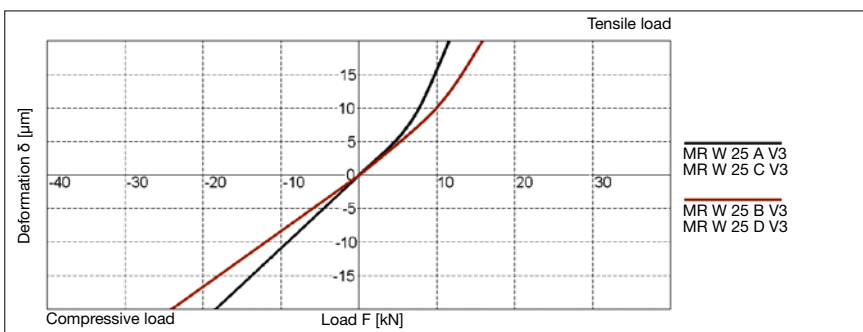
AMSA 3L S 25 Drawings



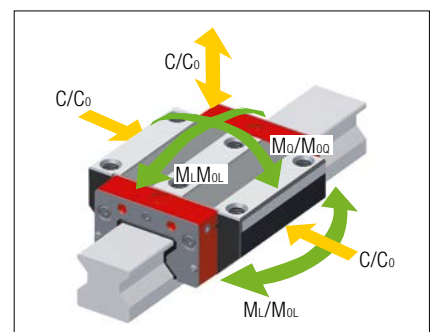
AMSA 3L W 25 Drawings



AMSA 3L W 25 Rigidity diagram



AMSA 3L W 25 Load rating



11.2 Technical data and options

AMSA 3L Size 25

AMSA 3L S 25 Dimensions



AMSA 3L S 25-N					
B1: Rail width	23				
J1: Rail height	24.45				
L3: Rail length	2 999.5				
L3': System length	3 000				
S: Gap size	0.5				
L4: Spacing of fixing holes	30				
L5/L10: Position of first/last fixing hole	14.75				
Gew.: Rail weight, specific (kg/m)	3.4				

Available options for AMSA 3L S 25



AMSA 3L W 25 Dimensions and capacities



	AMSA 3L W 25-A	AMSA 3L W 25-B	AMSA 3L W 25-C	AMSA 3L W 25-D			
A: System height	36	36	40	40			
A1: Half width of housing on opposite side	31	31	31	31			
A2: Half width of housing on reading head side	31	31	31	31			
A3: Projection of reading head	30	30	30	30			
B: Carriage width	70	70	48	48			
B2: Distance between locating faces	23.5	23.5	12.5	12.5			
C1: Position of center front lube hole*	5 / 5.5	5 / 5.5	9 / 9.5	9 / 9.5			
C3: Position of lateral lube hole	-	-	-	-			
C4: Position of lateral lube hole	-	-	-	-			
C7: Position of top lube hole	12	23.2	17	20.7			
J: Carriage height	29.5	29.5	33.5	33.5			
L1: Exterior fixing hole spacing	45	45	35	50			
L2: Interior fixing hole spacing	40	40	-	-			
L9: Carriage length with housing	232.2	254.6	232.2	254.6			
L11: Housing length	163.2	163.2	163.2	163.2			
L13: Total length measuring carriage	251.7	274.1	251.7	274.1			
Lw: Inner carriage body length	57	79.4	57	79.4			
N: Lateral fixing hole spacing	57	57	35	35			
O: Reference face height	7.5	7.5	7.5	7.5			

Capacities and weights

C0: Static load capacity (N)	49800	70300	49800	70300			
C100: Dynamic load capacity (N)	27700	39100	27700	39100			
MOQ: Static cross moment capacity (Nm)	733	1035	733	1035			
MOL: Static longitud. moment capacity (Nm)	476	936	476	936			
MQ: Dyn. cross moment capacity (Nm)	408	576	408	576			
ML: Dyn. longitud. moment capacity (Nm)	265	521	265	521			
Gew: Carriage weight (kg)	1.4	1.6	1.3	1.4			

Note: * Values valid for external housing / front plate

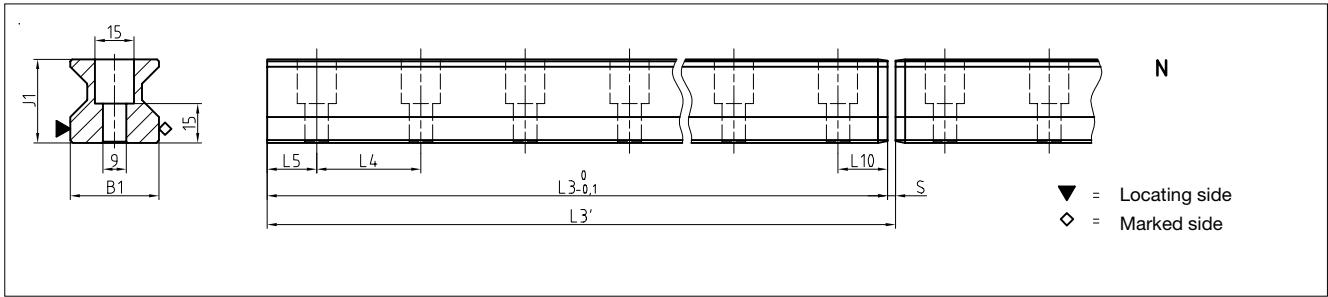
Available options for AMSA 3L W 25



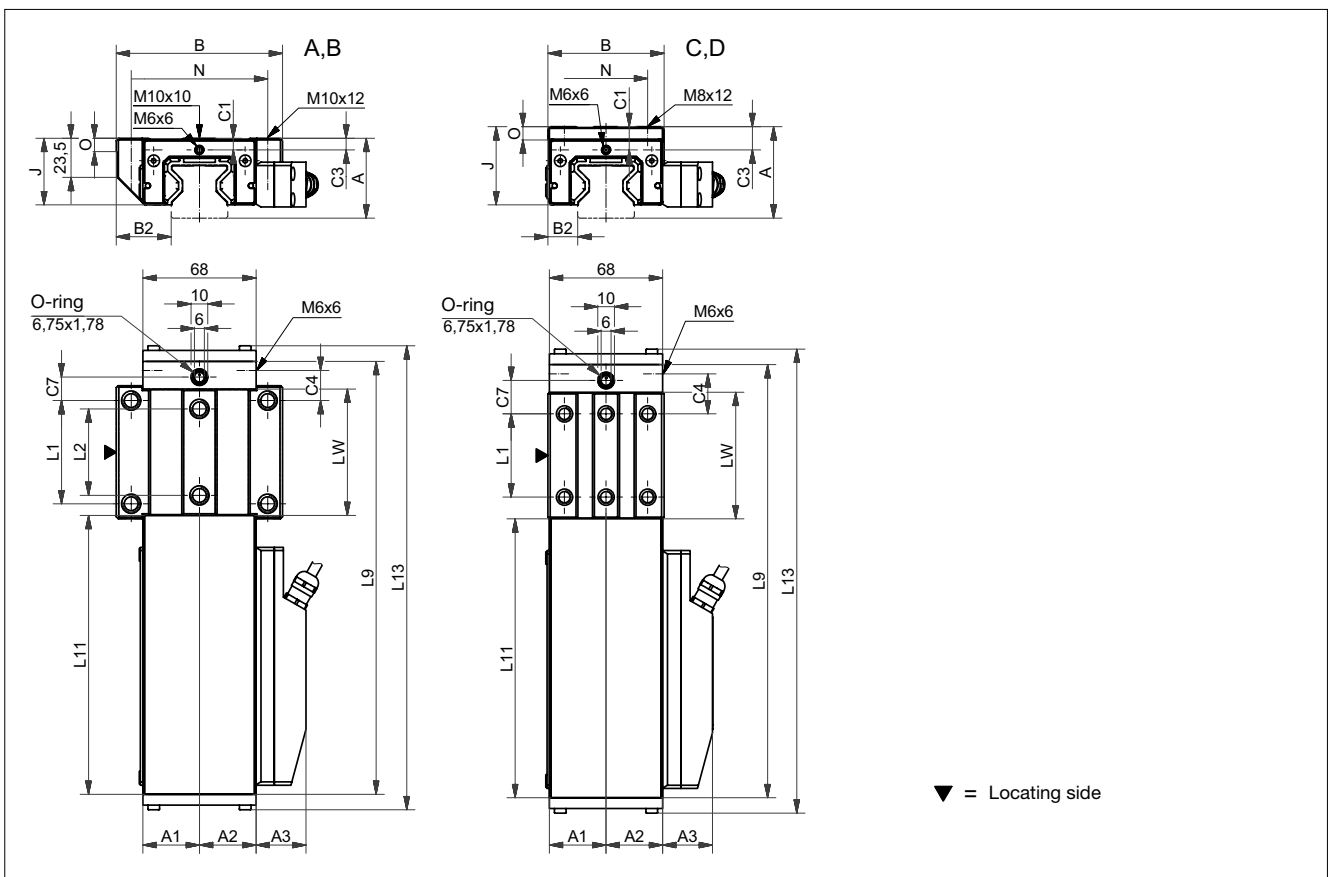
11.2 Technical data and options

AMSA 3L Size 35

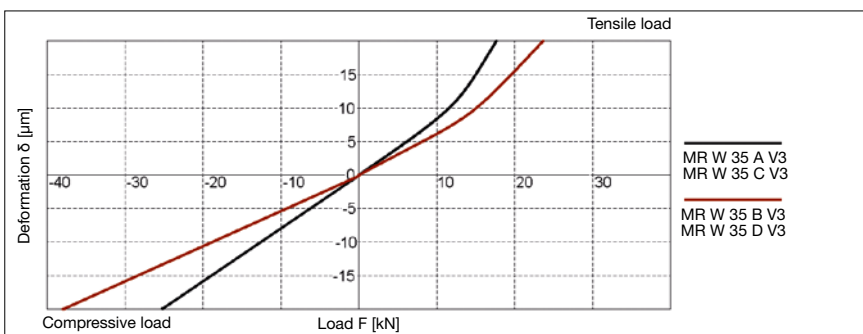
AMSA 3L S 35 Drawings



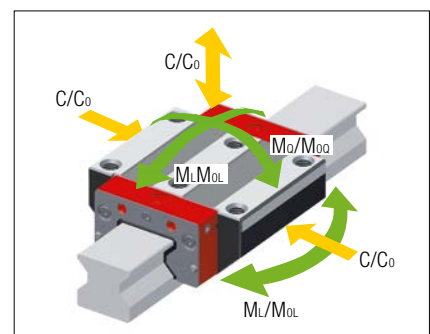
AMSA 3L W 35 Drawings



AMSA 3L W 35 Rigidity diagram



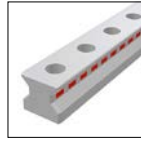
AMSA 3L W 35 Load rating



11.2 Technical data and options

AMSA 3L Size 35

AMSA 3L S 35 Dimensions



AMSA 3L S 35-N					
B1: Rail width	34				
J1: Rail height	31.95				
L3: Rail length	2 999.5				
L3': System length	3 000				
S: Gap size	0.5				
L4: Spacing of fixing holes	40				
L5/L10: Position of first/last fixing hole	19.75				
Gew.: Rail weight, specific (kg/m)	6.5				

Available options for AMSA 3L S 35



AMSA 3L W 35 Dimensions and capacities



	AMSA 3L W 35-A	AMSA 3L W 35-B	AMSA 3L W 35-C	AMSA 3L W 35-D		
A: System height	48	48	55	55		
A1: Half width of housing on opposite side	34	34	34	34		
A2: Half width of housing on reading head side	34	34	34	34		
A3: Projection of reading head	30	30	30	30		
B: Carriage width	100	100	70	70		
B2: Distance between locating faces	33	33	18	18		
C1: Position of center front lube hole*	6.5 / 7	6.5 / 7	13.5 / 14	13.5 / 14		
C3: Position of lateral lube hole	7	7	14	14		
C4: Position of lateral lube hole	17	30.5	23	25.5		
C7: Position of top lube hole	14	27.5	20	22.5		
J: Carriage height	40	40	47	47		
L1: Exterior fixing hole spacing	62	62	50	72		
L2: Interior fixing hole spacing	52	52	-	-		
L9: Carriage length with housing	260.2	287.2	260.2	287.2		
L11: Housing length	167.7	167.7	167.7	167.7		
L13: Total length measuring carriage	279.7	306.7	279.7	306.7		
Lw: Inner carriage body length	76	103	76	103		
N: Lateral fixing hole spacing	82	82	50	50		
O: Reference face height	8	8	8	8		

Capacities and weights

C0: Static load capacity (N)	93400	128500	93400	128500		
C100: Dynamic load capacity (N)	52000	71500	52000	71500		
MOQ: Static cross moment capacity (Nm)	2008	2762	2008	2762		
MOL: Static longitud. moment capacity (Nm)	1189	2214	1189	2214		
MQ: Dyn. cross moment capacity (Nm)	1118	1537	1118	1537		
ML: Dyn. longitud. moment capacity (Nm)	662	1232	662	1232		
Gew: Carriage weight (kg)	2.5	3.1	2.4	2.9		

Note: * Values valid for external housing / front plate

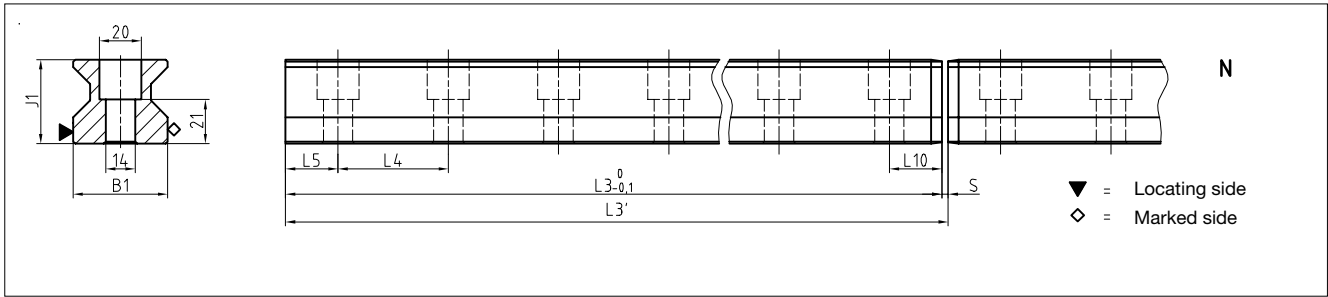
Available options for AMSA 3L W 35



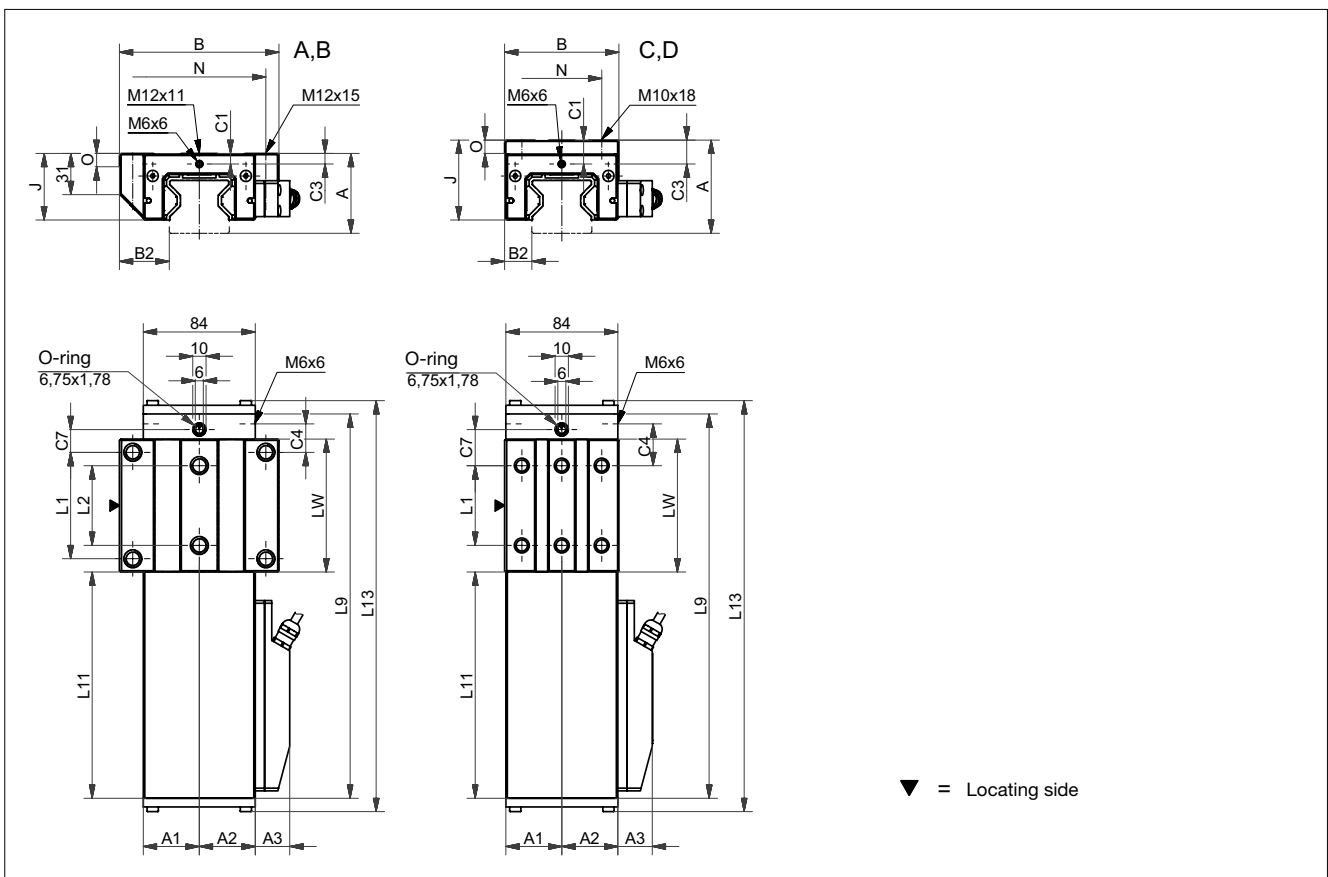
11.2 Technical data and options

AMSA 3L Size 45

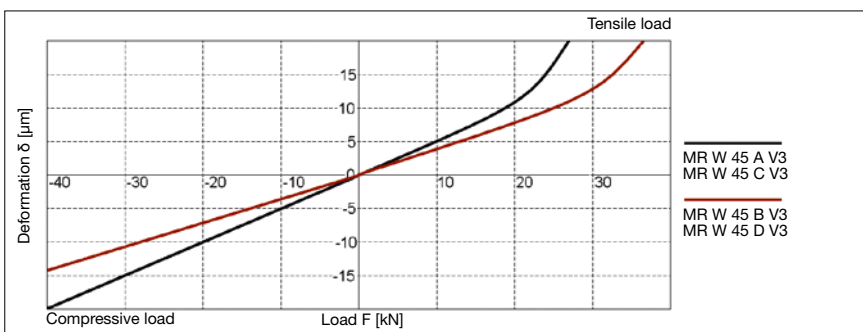
AMSA 3L S 45 Drawings



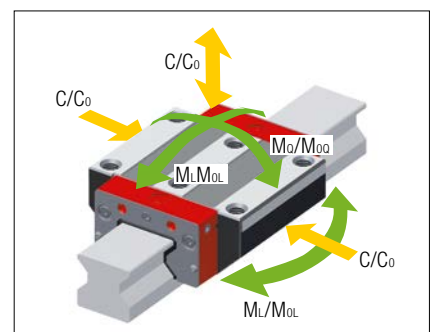
AMSA 3L W 45 Drawings



AMSA 3L W 45 Rigidity diagram



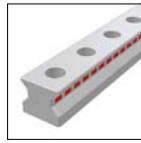
AMSA 3L W 45 Load rating



11.2 Technical data and options

AMSA 3L Size 45

AMSA 3L S 45 Dimensions



		AMSA 3L S 45-N			
B1:	Rail width	45			
J1:	Rail height	39.95			
L3:	Rail length	2992			
L3':	System length	2992.5			
S:	Gap size	0.5			
L4:	Spacing of fixing holes	52.5			
L5/L10:	Position of first/last fixing hole	26			
Gew.:	Rail weight, specific (kg/m)	10.8			

Available options for AMSA 3L S 45



AMSA 3L W 45 Dimensions and capacities



	AMSA 3L W 45-A	AMSA 3L W 45-B	AMSA 3L W 45-C	AMSA 3L W 45-D		
A:	System height	60	60	70	70	
A1:	Half width of housing on opposite side	42	42	42	42	
A2:	Half width of housing on reading head side	42	42	42	42	
A3:	Projection of reading head	26	26	26	26	
B:	Carriage width	120	120	86	86	
B2:	Distance between locating faces	37.5	37.5	20.5	20.5	
C1:	Position of center front lube hole	8	8	18	18	
C3:	Position of lateral lube hole	8	8	18	18	
C4:	Position of lateral lube hole	21.5	38.75	31.25	38.75	
C7:	Position of top lube hole	17	34.5	27	34.5	
J:	Carriage height	50	50	60	60	
L1:	Exterior fixing hole spacing	80	80	60	80	
L2:	Interior fixing hole spacing	60	60	-	-	
L9:	Carriage length with housing	288.7	323.7	288.7	323.7	
L11:	Housing length	169.9	169.9	169.9	169.9	
L13:	Total length measuring carriage	309.6	344.6	309.6	344.6	
Lw:	Inner carriage body length	100	135	100	135	
N:	Lateral fixing hole spacing	100	100	60	60	
O:	Reference face height	10	10	10	10	

Capacities and weights

C0:	Static load capacity (N)	167500	229500	167500	229500	
C100:	Dynamic load capacity (N)	93400	127800	93400	127800	
MOQ:	Static cross moment capacity (Nm)	4621	6333	4621	6333	
MOL:	Static longitud. moment capacity (Nm)	2790	5161	2790	5161	
MQ:	Dyn. cross moment capacity (Nm)	2577	3527	2577	3527	
ML:	Dyn. longitud. moment capacity (Nm)	1556	2874	1556	2874	
Gew:	Carriage weight (kg)	4.4	5.5	4.2	5.2	

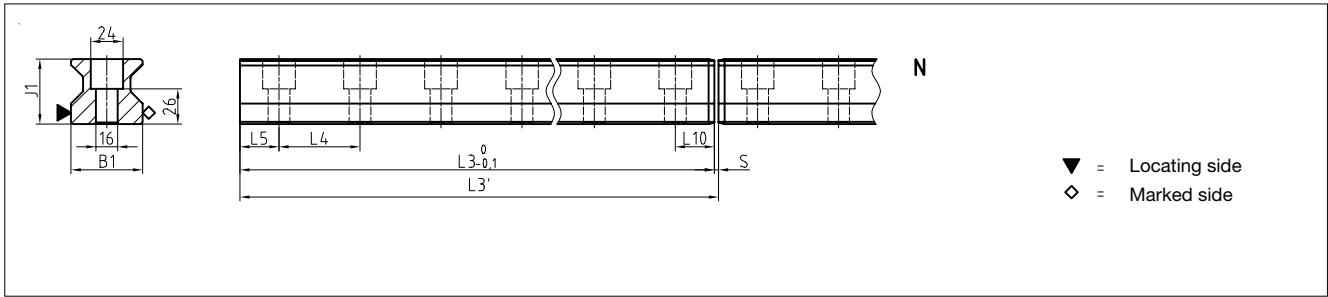
Available options for AMSA 3L W 45



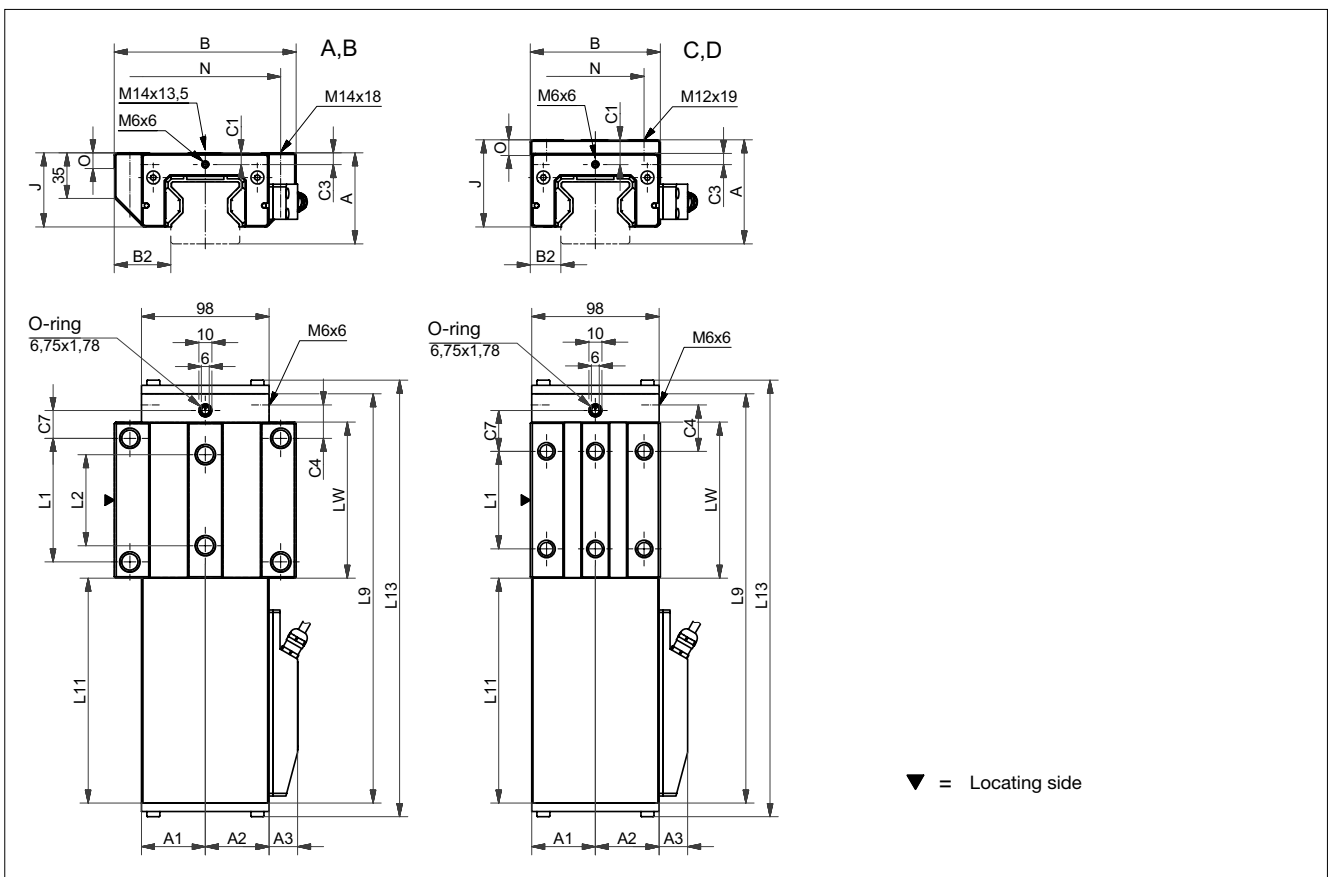
11.2 Technical data and options

AMSA 3L Size 55

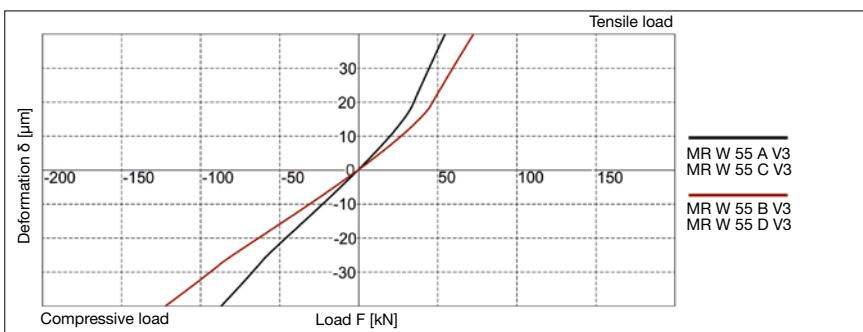
AMSA 3L S 55 Drawings



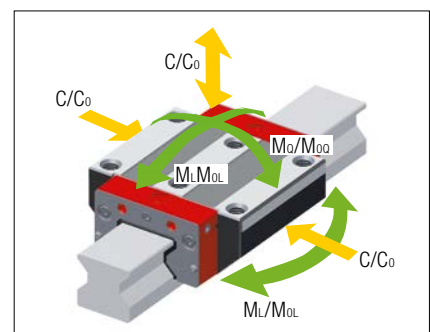
AMSA 3L W 55 Drawings



AMSA 3L W 55 Rigidity diagram



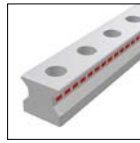
AMSA 3L W 55 Load rating



11.2 Technical data and options

AMSA 3L Size 55

AMSA 3L S 55 Dimensions



		AMSA 3L S 55-N			
B1:	Rail width	53			
J1:	Rail height	47.95			
L3:	Rail length	2999.5			
L3':	System length	3 000			
S:	Gap size	0.5			
L4:	Spacing of fixing holes	60			
L5/L10:	Position of first/last fixing hole	29.75			
Gew.:	Rail weight, specific (kg/m)	15.2			

Available options for AMSA 3L S 55



AMSA 3L W 55 Dimensions and capacities



	AMSA 3L W 55-A	AMSA 3L W 55-B	AMSA 3L W 55-C	AMSA 3L W 55-D		
A:	System height	70	70	80	80	
A1:	Half width of housing on opposite side	49	49	49	49	
A2:	Half width of housing on reading head side	49	49	49	49	
A3:	Projection of reading head	22	22	22	22	
B:	Carriage width	140	140	100	100	
B2:	Distance between locating faces	43.5	43.5	23.5	23.5	
C1:	Position of center front lube hole	9	9	19	19	
C3:	Position of lateral lube hole	9	9	19	19	
C4:	Position of lateral lube hole	25.75	46.75	35.75	46.75	
C7:	Position of top lube hole	21.5	42.5	31.5	42.5	
J:	Carriage height	57	57	67	67	
L1:	Exterior fixing hole spacing	95	95	75	95	
L2:	Interior fixing hole spacing	70	70	-	-	
L9:	Carriage length with housing	314.7	356.7	314.7	356.7	
L11:	Housing length	172.9	172.9	172.9	172.9	
L13:	Total length measuring carriage	336.6	378.6	336.6	378.6	
Lw:	Inner carriage body length	120	162	120	162	
N:	Lateral fixing hole spacing	116	116	75	75	
O:	Reference face height	12	12	12	12	
Capacities and weights						
C0:	Static load capacity (N)	237000	324000	237000	324000	
C100:	Dynamic load capacity (N)	131900	180500	131900	180500	
MOQ:	Static cross moment capacity (Nm)	7771	10624	7771	10624	
MOL:	Static longitud. moment capacity (Nm)	4738	8745	4738	8745	
MQ:	Dyn. cross moment capacity (Nm)	4325	5919	4325	5919	
ML:	Dyn. longitud. moment capacity (Nm)	2637	4872	2637	4872	
Gew:	Carriage weight (kg)	6.4	8.2	5.9	7.5	

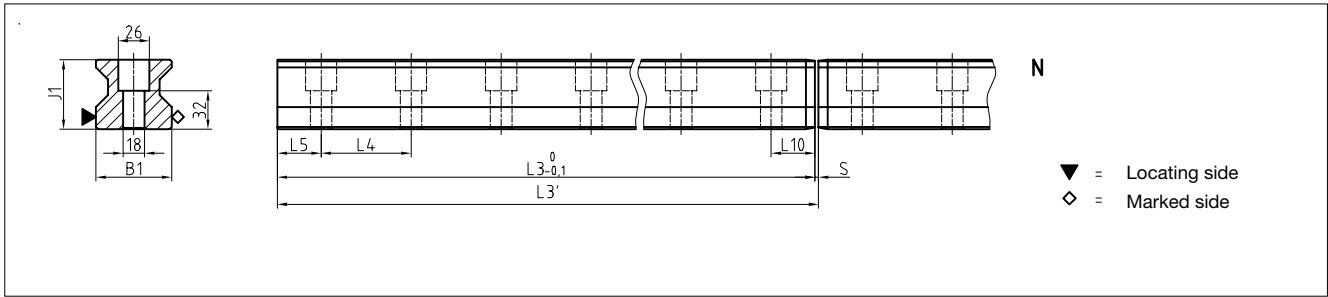
Available options for AMSA 3L W 55



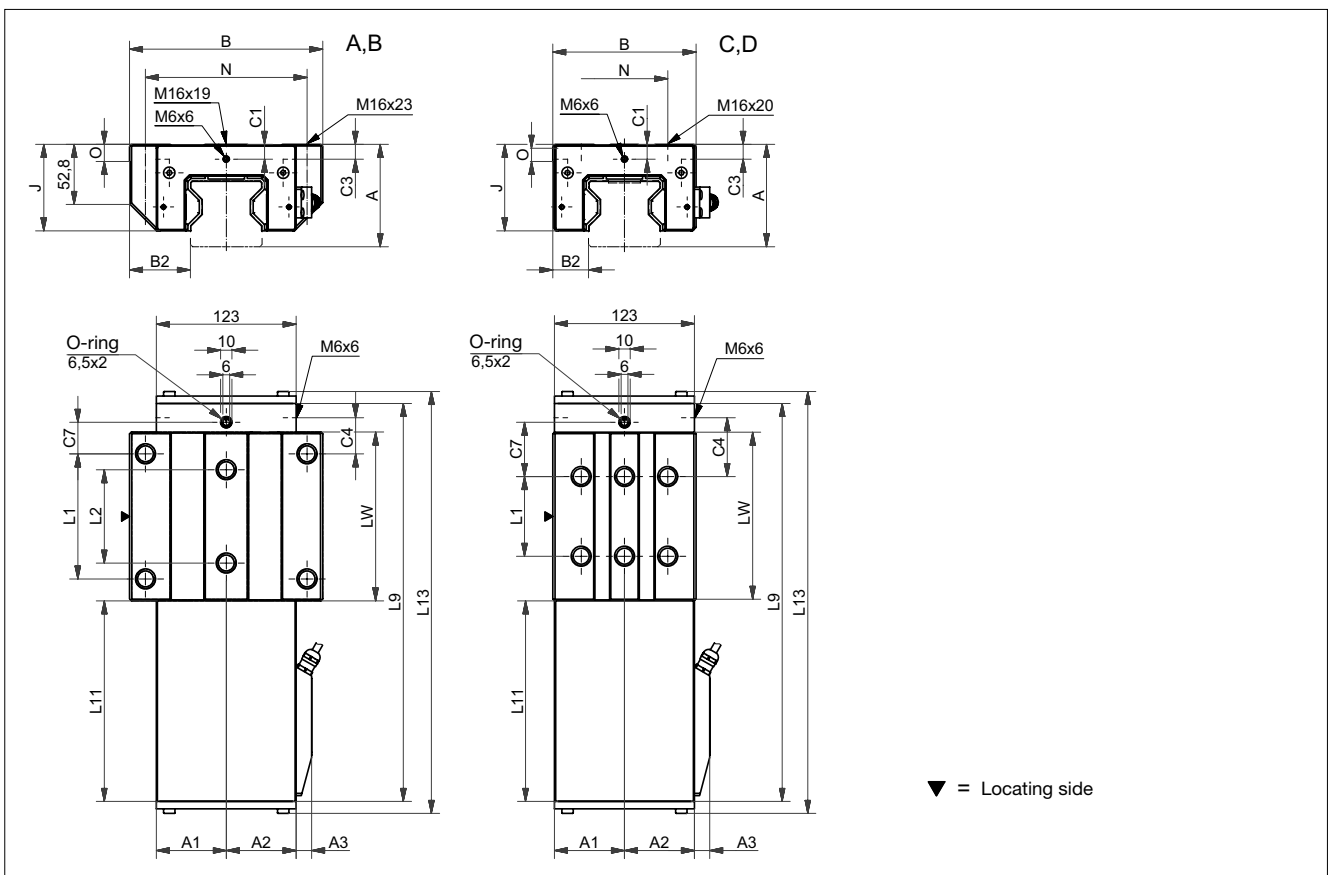
11.2 Technical data and options

AMSA 3L Size 65

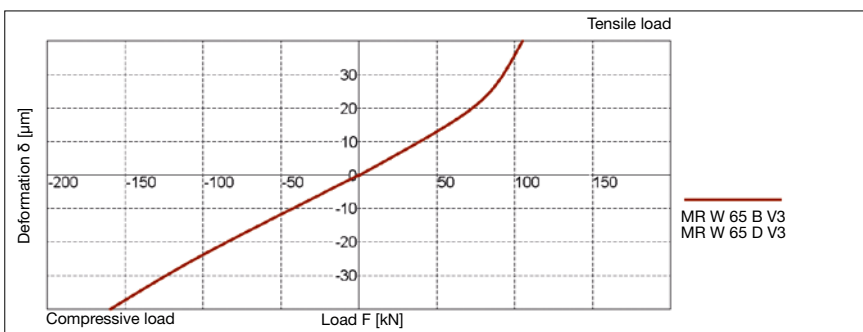
AMSA 3L S 65 Drawings



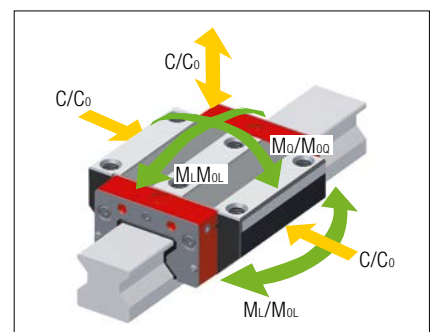
AMSA 3L W 65 Drawings



AMSA 3L W 65 Rigidity diagram



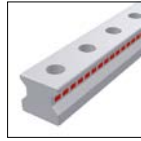
AMSA 3L W 65 Load rating



11.2 Technical data and options

AMSA 3L Size 65

AMSA 3L S 65 Dimensions

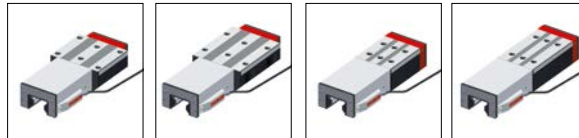


		AMSA 3L S 65-N			
B1:	Rail width	63			
J1:	Rail height	57.95			
L3:	Rail length	2999.5			
L3':	System length	3 000			
S:	Gap size	0.5			
L4:	Spacing of fixing holes	75			
L5/L10:	Position of first/last fixing hole	37.25			
Gew.:	Rail weight, specific (kg/m)	22.8			

Available options for AMSA 3L S 65



AMSA 3L W 65 Dimensions and capacities



	AMSA 3L W 65-A	AMSA 3L W 65-B	AMSA 3L W 65-C	AMSA 3L W 65-D		
A:	System height	90	90	90	90	
A1:	Half width of housing on opposite side	61.5	61.5	61.5	61.5	
A2:	Half width of housing on reading head side	61.5	61.5	61.5	61.5	
A3:	Projection of reading head	13.5	13.5	13.5	13.5	
B:	Carriage width	170	170	126	126	
B2:	Distance between locating faces	53.5	53.5	31.5	31.5	
C1:	Position of center front lube hole	13	13	13	13	
C3:	Position of lateral lube hole	13	13	13	13	
C4:	Position of lateral lube hole	31.75	58	51.75	53	
C7:	Position of top lube hole	27.75	54	47.75	49	
J:	Carriage height	76	76	76	76	
L1:	Exterior fixing hole spacing	110	110	70	120	
L2:	Interior fixing hole spacing	82	82	-	-	
L9:	Carriage length with housing	349.7	402.2	349.7	402.2	
L11:	Housing length	176.2	176.2	176.2	176.2	
L13:	Total length measuring carriage	371.6	424.1	371.6	424.1	
Lw:	Inner carriage body length	148.5	201	148.5	201	
N:	Lateral fixing hole spacing	142	142	76	76	
O:	Reference face height	15	15	15	15	
Capacities and weights						
C0:	Static load capacity (N)	419000	530000	419000	530000	
C100:	Dynamic load capacity (N)	232000	295000	232000	295000	
MOQ:	Static cross moment capacity (Nm)	16 446	20912	16446	20912	
MOL:	Static longitud. moment capacity (Nm)	10754	17930	10754	17930	
MQ:	Dyn. cross moment capacity (Nm)	9154	11640	9154	11640	
ML:	Dyn. longitud. moment capacity (Nm)	5954	9980	5954	9980	
Gew:	Carriage weight (kg)	12.6	15.9	10.3	12.8	

Available options for AMSA 3L W 65



AMSA 3L Rails accessories overview

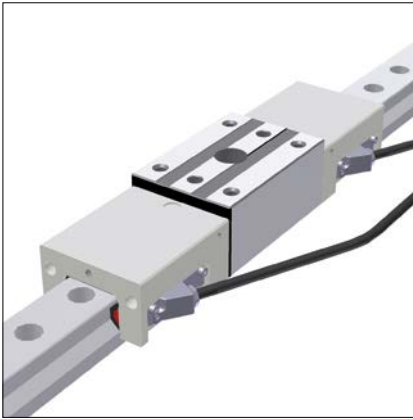
Accessories	AMSA 3L S 25	AMSA 3L S 35	AMSA 3L S 45	AMSA 3L S 55	AMSA 3L S 65
Plugs:					
Plastic plugs	MRK 25	MRK 35	MRK 45	MRK 55	MRK 65
Brass plugs	MRS 25	MRS 35	MRS 45	MRS 55	MRS 65
Steel plugs	MRZ 25	MRZ 35	MRZ 45	MRZ 55	MRZ 65
Assembly tools:					
Assembly tool for AMSA 3L	MWM 3L 25	MWM 3L 35	MWM 3L 45	MWM 3L 55	MWM 3L 65
Installation tool for steel plugs	MWH 25	MWH 35	MWH 45	MWH 55	MWH 65
Hydraulic cylinder for MWH	MZH	MZH	MZH	MZH	MZH
End pieces:					
End piece for AMSA 3L rails	EST 3L 25	EST 3L 35	EST 3L 45	EST 3L 55	EST 3L 65

AMSA 3L Carriages accessories overview

Accessories	AMSA 3L W 25	AMSA 3L W 35	AMSA 3L W 45	AMSA 3L W 55	AMSA 3L W 65
Additional wipers:					
Additional wipers Viton	ZCV 25	ZCV 35	ZCV 45	ZCV 55	ZCV 65
Metal wiper	ASM 25-A	ASM 35-A	ASM 35-A	ASM 55-A	ASM 65-A
Bellows:					
Bellows	FBM 25	FBM 35	FBM 45	FBM 55	FBM 65
Adapter plate for bellows (spare part)	ZPL 25	ZPL 35	ZPL 45	ZPL 55	ZPL 65
End plate for bellows (spare part)	EPL 25	EPL 35	EPL 45	EPL 55	EPL 65
Assembly rails:					
Assembly rail	MRM 3L 25	MRM 3L 35	MRM 3L 45	MRM 3L 55	MRM 3L 65
Lubrication plates:					
Lubrication plate	SPL 25-MR	SPL 35-MR	SPL 45-MR	SPL 55-MR	SPL 65-MR
Front plates:					
Front plate (spare part)	STP 25-EK	STP 35-EK	STP 45-EK	STP 55-EK	STP 65-EK
Lube nipples:					
Hydraulic-type grease nipple straight	SN 6	SN 6	SN 6	SN 6	SN 6
Hydraulic-type grease nipple 45°	SN 6-45	SN 6-45	SN 6-45	SN 6-45	SN 6-45
Hydraulic-type grease nipple 90°	SN 6-90	SN 6-90	SN 6-90	SN 6-90	SN 6-90
Flush type grease nipple M3	SN 3-T	-	-	-	-
Flush type grease nipple M6	SN 6-T	SN 6-T	SN 6-T	SN 6-T	SN 6-T
Grease gun for SN 3-T und SN 6-T	SFP-T3	SFP-T3	SFP-T3	SFP-T3	SFP-T3
Lube adapters:					
Straight screw-in connection M3	SA 3-D3	-	-	-	-
Lubrication adapter M8 round-head	SA 6-RD-M8	SA 6-RD-M8	SA 6-RD-M8	SA 6-RD-M8	SA 6-RD-M8
Lubrication adapter M8 hexagon head	-	SA 6-6KT-M8	SA 6-6KT-M8	SA 6-6KT-M8	SA 6-6KT-M8
Lubrication adapter G1/8 hexagon head	-	SA 6-6KT-G1/8	SA 6-6KT-G1/8	SA 6-6KT-G1/8	SA 6-6KT-G1/8
Swivel screw connection for pipe d=4 mm	SV 6-D4	SV 6-D4	SV 6-D4	SV 6-D4	SV 6-D4
Swivel screw connection M6	SV 6-M6	SV 6-M6	SV 6-M6	SV 6-M6	SV 6-M6
Swivel screw connection M6 long	SV 6-M6-L	SV 6-M6-L	SV 6-M6-L	SV 6-M6-L	SV 6-M6-L
Swivel screw connection M8	SV 6-M8	SV 6-M8	SV 6-M8	SV 6-M8	SV 6-M8
Swivel screw connection M8 long	SV 6-M8-L	SV 6-M8-L	SV 6-M8-L	SV 6-M8-L	SV 6-M8-L

11.3 Accessories

AMSA 3L Rails accessory details

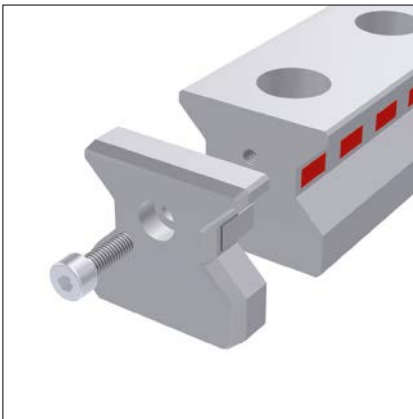


Assembly tools

The MWM3L assembly tool is intended for the phase-locked assembly of the AMSA 3L rails. It consists of a size-dependent guide carriage, two mounting housings and two reading heads for registering the phase. Furthermore, the MWM assembly tool contains the display software for calibrating measurements and the assembly and start-up instructions.

Order code: **MWM 3L xx**

xx = size, ordering example: 1 x MWM 3L 55



End pieces

The AMSA 3L concept allows the rails to be separated according to the desires of the customer for the first and last rail segments of a set of rails.

After separation, the EST 3L end pieces prevent the masking tape on the measuring element from detaching. The end pieces may be used on both sides, and are attached using a central screw in the front drill holes.

Order code: **EST 3L xx**

xx = size, ordering example: 1 x EST 3L 55

11.4 Order key

Individual guide rails and carriages are ordered in accordance with the order codes described below.

AMSA 3L carriages consist of guide carriage, casing and reading head.

All MONORAIL MR carriages can also be used with AMSA 3L rails.

Q.v. chapter 2 and chapter 3.3 for the order key for accessories.

Separate order codes are used in each case for rails, carriages and accessories. This also applies to different versions of rails and carriages.

All guide components are supplied individually as standard, i.e. unassembled.

If required, SCHNEEBERGER can also supply rails and carriages assembled incl. accessories as complete systems. Please note the ordering instructions in chapter 2.4 if this applies.

Order code for AMSA 3L Rails

	1x	AMSA 3L S	35	-N	-G1	-KC	-R11	-3000	-CN	-TR 40
Quantity										
Rail										
Size										
Type										
Accuracy										
Straightness										
Reference side										
Rail length L3										
Coating										
Type of magnetisation										

NB

Q.v. chapter 11.1 to 11.3 for an overview of types, details of shapes, available options and accessories.

Q.v. chapter 2 for a description of the options.

If possible, standard lengths are preferred for L3 rail length.

These are calculated with the table values in chapter 11.2 using the following formula: $L3 = n \times L4 + L5 + L10 \leq L3max$.

Order code for AMSA 3L Carriages

	1x	AMSA 3L W	35	-B	-P1	-G1	-V3	-R2	-CN	-S12	-LN	-TSU
Quantity												
Carriage												
Size												
Type												
Reading head position												
Accuracy												
Preload												
Reference side												
Coating												
Lube connection												
Lubrication as delivered condition												
Interface												

NB

Q.v. chapter 11.1 to 11.3 for an overview of types, details of shapes, available options and accessories.

Q.v. chapter 2 for a description of the options.

For detailed information about current configuration options for the interfaces, please visit our website at www.schneeberger.com

Order code for AMSA 3L Reading head (spare part)

	1x	SMA 3L	-MU
Quantity			
Reading head			
Interface			

NB

Q.v. chapter 2 for a description of the options.

www.schneeberger.com
www.schneeberger.com/contact

PROSPECTUSES

- COMPANY BROCHURE
- CUSTOMIZED BEARINGS
- GEAR RACKS
- LINEAR BEARINGS AND RECIRCULATING UNITS
- MINERAL CASTING SCHNEEBERGER
- MINISLIDE MSQSCALE
- MINI-X MINIRAIL / MINISCALE PLUS / MINISLIDE
- MONORAIL AND AMS PROFILED LINEAR GUIDEWAYS WITH INTEGRATED MEASURING SYSTEM
- MONORAIL AND AMS APPLICATION CATALOG
- POSITIONING SYSTEMS
- SLIDES

www.schneeberger.com

